

ProViu[®] ASL360

Product Information



Picture: ECU



Picture: Camera

Description

Four camera surround view system

Features:

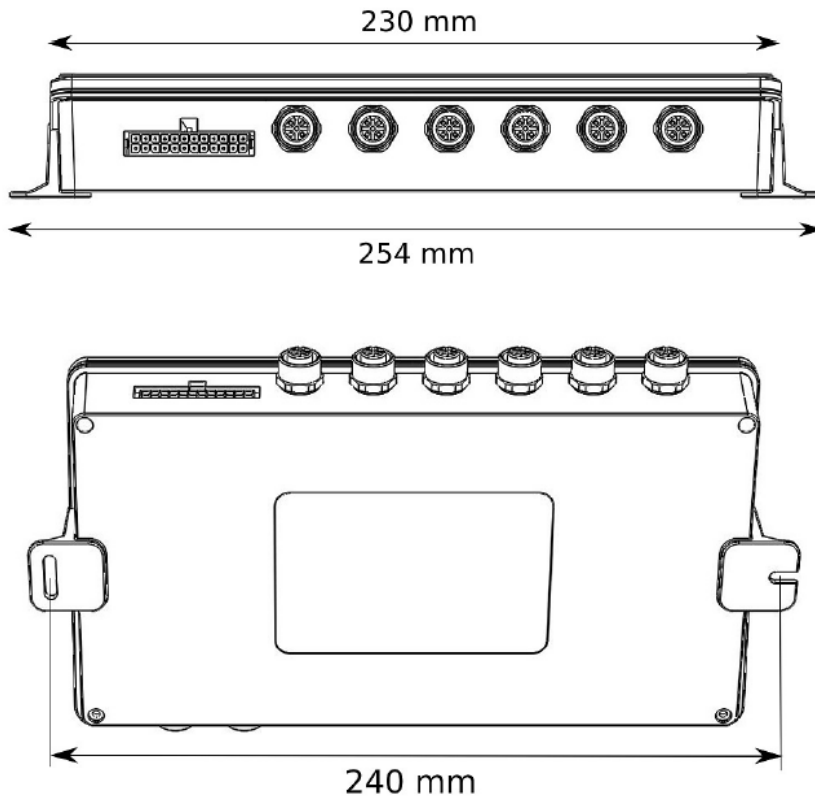
- › Four-Camera Surround View Driver Assistance enables the driver to see 360° around the vehicle on display.
- › The surroundings can be seen top-down from a bird's eye view perspective. Such a view eliminates blind spots during critical and precise manoeuvres in different traffic situations.
- › Input images from the cameras are processed and stitched together in 360° bird-view of the vehicle surroundings
- › Genuine real time delivery at 30fps
- › Flexible SW tool chain (e.g. multiple screens, configuration, custom user interface etc.)
- › Wide angle fisheye cameras

Technical Data ECU*	
Video Output	SVGA (800 x 600), VGA, PAL or NTSC
Video Output Connections	VGA Connector (Standard)
	M12 Connector (Standard) (Dual Composite Video Output)
PC Output	M12 to RJ45 Connector Available (Ethernet)
Camera Inputs	6
Max. concurrent cameras images	4
Housing	Die-cast Aluminum; 225 x 120 x 35 mm
Nominal Voltage	12 / 24 V
Operating Voltage	9 - 32V
Over Voltage protection	The system shall withstand a supply voltage up to +36 VDC for 5 minutes.
Reverse polarity protection	Yes
Current consumption	max. 1A @12V with 6 cameras
Operating temperature	- 40 to + 85°C
Storage temperature	- 40 to + 85°C
EMC in conformity with (Electromagnetic compatibility)	CE ECE-R10 (E11 label) FCC
Vibration	Vibration test for ISO 16001 / ISO 15998 5Hz to 9Hz peak to peak amplitude: 42mm 9Hz to 200Hz acceleration: 50m/s ² Sweep rate: 1oct/min / 2 hours each axes
Mechanical shock	Mechanical shock tests (bare unit) DIN EN IEC 60068-2-27 (Test Ea) Half-sine wave, 400m/s ² for 6ms, 100 shocks in all 3 axes, both directions.

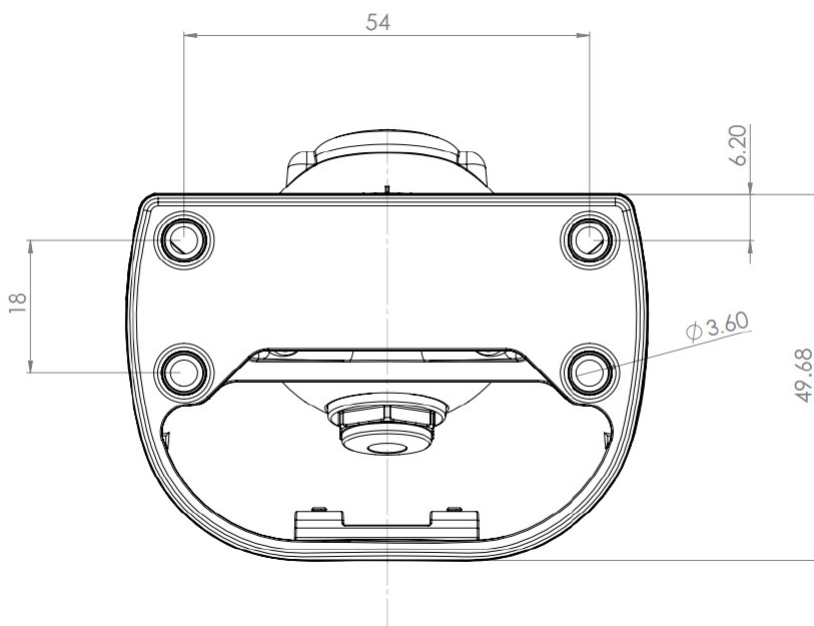
Technical Data Cameras*	
Wide Angle Fisheye Camera with Infrared Filter	
Field of View	180°
Viewing Angle	Horizontal
Connector Type	M 12
Video Signal	PAL
Vibration	Vibration test for ISO 16001 / ISO 15998 5Hz to 9Hz peak to peak amplitude: 42mm 9Hz to 200Hz acceleration: 50m/s ² Sweep rate: 1oct/min / 2 hours each axes
Mechanical shock	Mechanical shock tests (bare unit) DIN EN IEC 60068-2-27 (Test Ea) Half-sine wave, 400m/s ² for 6ms, 100 shocks in all 3 axes, both directions.
Minimum Illumination	0.1 LUX
Minimum Supply Voltage	9 V
Weight	272 g
Salt spray	a. Salt Concentration: 5%±1% Sodium Chloride (NaCl) b. pH value: 6.5 - 7.2 c. Temperature: 35°C±2°C d. Spray Volume: 1-2 ml/80cm ² /hour e. 24 H
Protection class	IP 6K9K

*developed based on standards for industrial market.

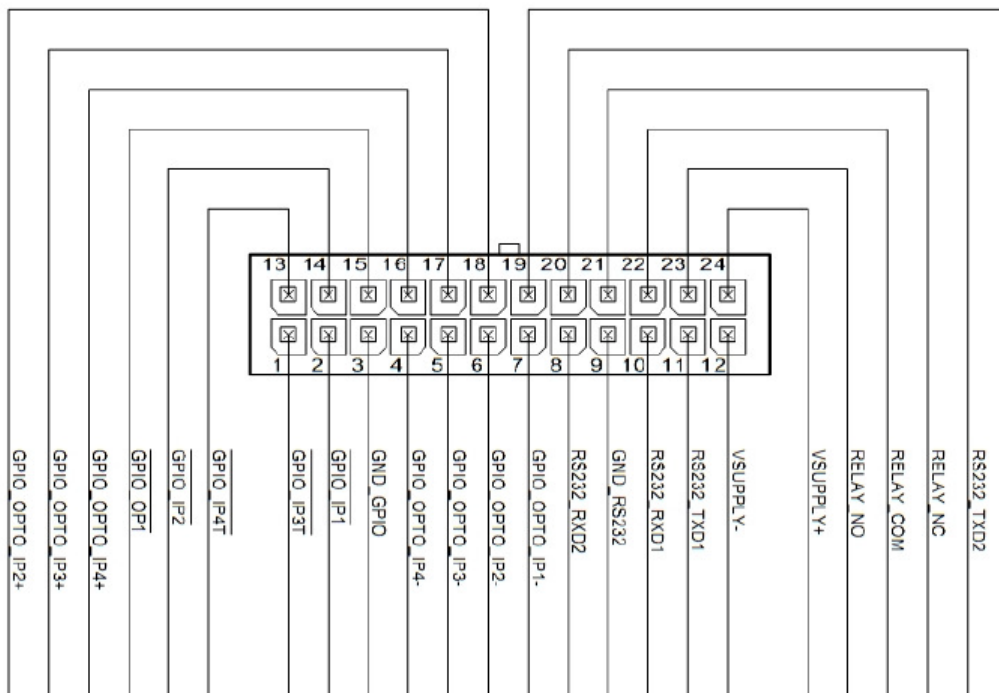
Dimensions ECU



Dimensions Camera



Power and I/O connector pin out



Part Number	Description
A2C59516756	ASL 360 System Kit (ECU+4 cameras)
A2C59517173	ASL 360 System Kit (ECU+3 cameras)
A2C59516759	ASL 360 Camera cable 10m
A2C59516760	ASL 360 Camera cable 15m
A2C59516761	ASL 360 Camera cable 20m
A2C59516762	ASL 360 Camera cable 2,5m
A2C59516767	ASL 360 Ethernet Setup Cable
A2C59516758	ASL 360 Software license

Accessories:

Part Number	Description
A2C59516763	ASL 360 CAMERA
A2C59516764	ASL 360 CONTROL UNIT
A2C59516765	ASL 360 VIDEO SPLITTER CABLE
A2C59516766	ASL 360 SYSTEM CABLE ECU
A2C59516768	ASL 360 CAMERA PLASTIC COVER