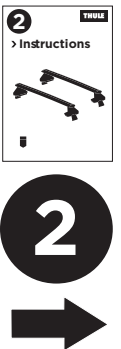
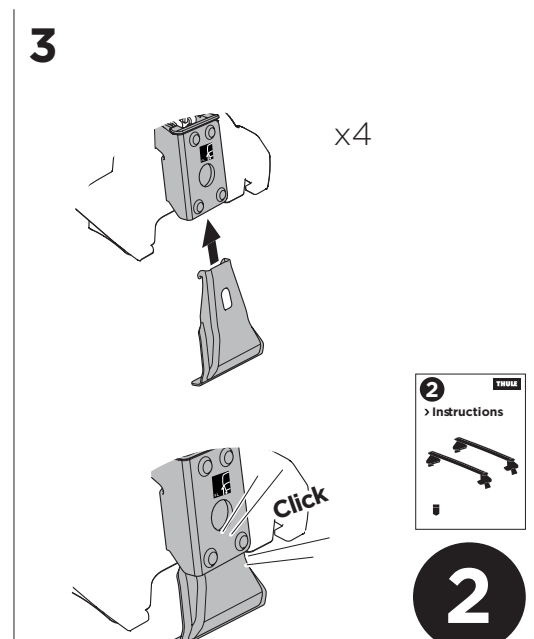
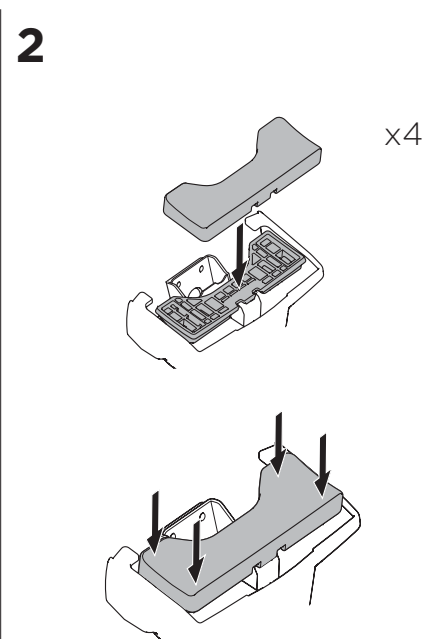
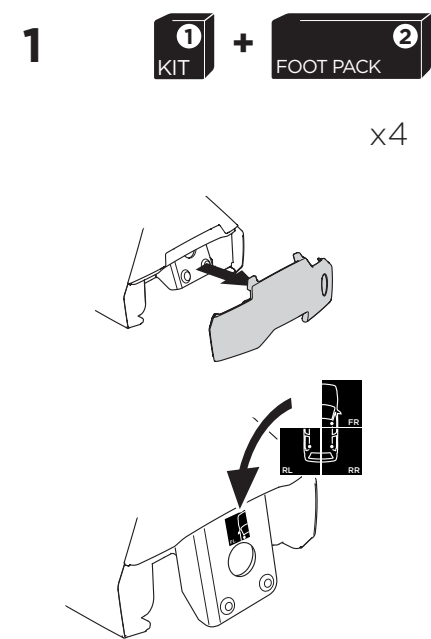
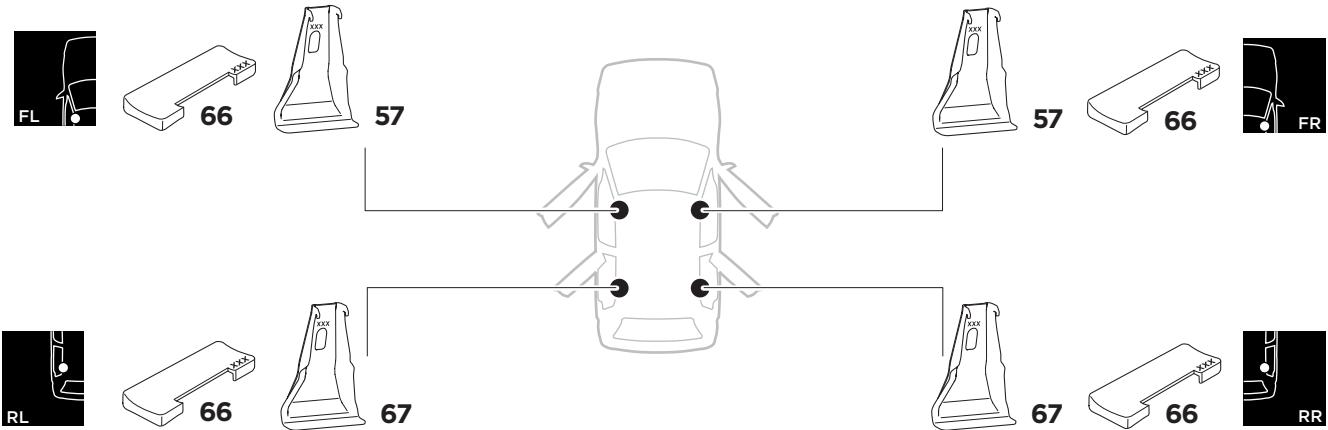
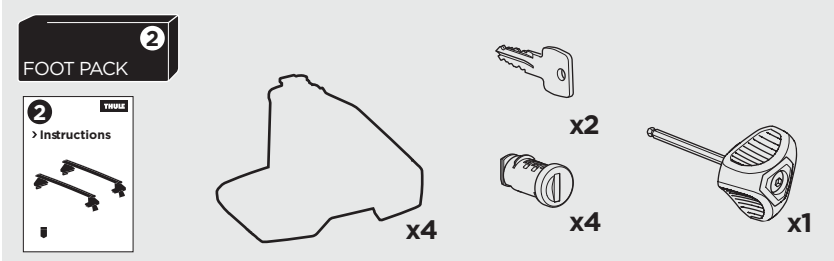
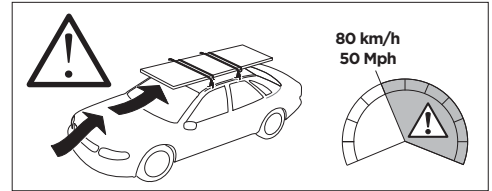
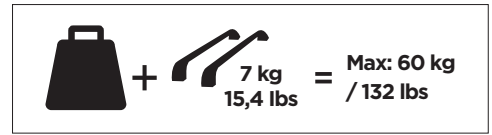
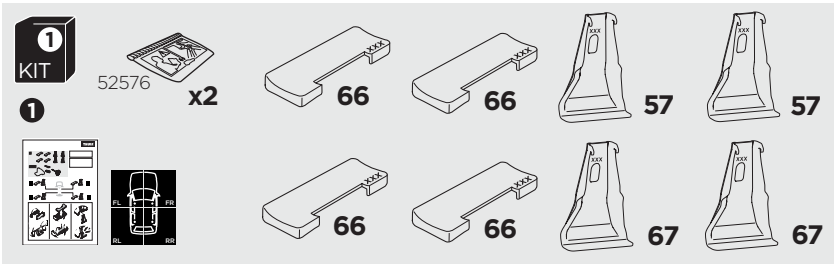


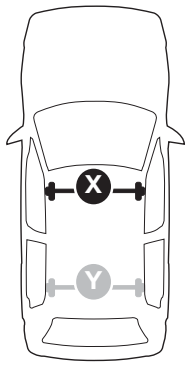
# 1

## Kit 5006

MINI Clubman, 5-dr Hatchback, 16-

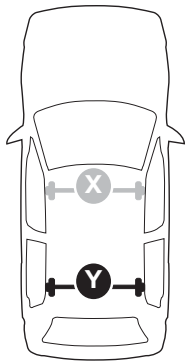
ISO 11154-E





THULE WingBar Evo	THULE WingBar Edge	THULE WingBar	THULE SquareBar	<b>Evo X (scale)</b>	<b>Edge X (scale)</b>
<b>MINI Clubman, 5-dr Hatchback, 16-</b>				<b>32</b>	<b>O</b>

THULE ProBar	THULE SlideBar	<b>X (mm/inch)</b>		
<b>MINI Clubman, 5-dr Hatchback, 16-</b>		<b>971 mm / 38 1/4"</b>		



THULE WingBar Evo	THULE WingBar Edge	THULE WingBar	THULE SquareBar	<b>Evo Y (scale)</b>	<b>Edge Y (scale)</b>
<b>MINI Clubman, 5-dr Hatchback, 16-</b>				<b>30.5</b>	<b>R</b>

THULE ProBar	THULE SlideBar	<b>Y (mm/inch)</b>		
<b>MINI Clubman, 5-dr Hatchback, 16-</b>		<b>956 mm / 37 5/8"</b>		

	<b>W (mm/inch)</b>	<b>Z (mm/inch)</b>
<b>MINI Clubman, 5-dr Hatchback, 16-</b>	<b>700 mm / 27 1/2"</b>	<b>300 mm / 11 3/4"</b>

