

Water heaters

Thermo Pro 90/Thermo Pro 90 Chiller

Thermo Pro 90 Marine – state-of-the art controller and easy service

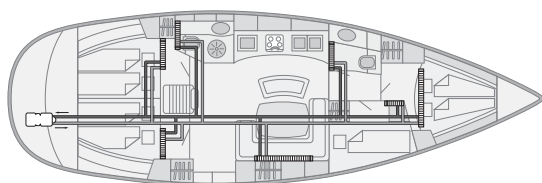
This device is ideal for daily use: infinitely variable power adjustment, high heat output, compact dimensions, service-friendly technology and an extremely low noise level.

Thermo Pro 90 Chiller – the heater for integration into an A/C system

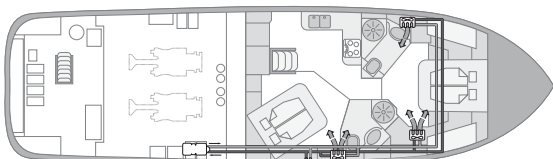
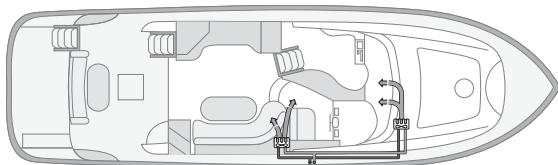
If you want to build a BlueComfort system with a Thermo 90 heater, use the Thermo Pro 90 Chiller version. It comes with a special electronic control unit and without the water pump which is not needed.

The advantages of the Thermo Pro 90:

- Ideal for daily use
- Infinitely variable power adjustment
- High heat output
- Compact dimensions
- Service friendly technology
- Extremely low noise level



This 44' sailing yacht uses convectors for all cabins to heat the boat. Convectors are noiseless and do not consume any electrical power off the battery, therefore resulting in a very high electrical autonomy.



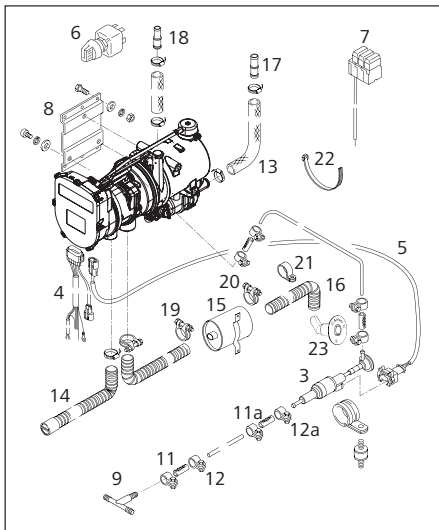
In this 40' motor yacht electrical fan blowers are used to heat up the boat. They are very compact and may be easily installed in small spaces, blowing hot air through air ducts into each cabin. The windscreen has a separate blower to demist and defrost.

Technical specifications

	Thermo Pro 90
Heating power (kW)	1.8 – 7.6 kW; boost mode 9.1
Heating power (BTU/h)	6,100 – 26,000 BTU/h; boost mode 31,000
Fuel, Fuel consumption, partial/full load/boost (l/h)	Diesel 0.18 – 1.08/1.3
Fuel, Fuel consumption, partial/full load/boost (gal/h)	Diesel 0.05 – 0.24/0.34
Rated voltage (V)	12, 24
Rated power consumption (W)	20 – 83 (90 Boost), 3.0 – 6.9 amps (7.5 Boost) at 12 V, 1.5 – 3.5 amps (3.8 Boost) at 24 V
Flow rate of circulating pump (against 0.3 bar) (l/h)	700
Flow rate of circulating pump (against 0.3 bar) (gal/min.)	3.1
Dimensions L x W x H (mm)	352 x 131 x 232
Dimensions L x W x H (inch)	13.9 x 5.2 x 9.1
Weight (kg)	5.3
Weight (lbs)	11.7



Scopes of delivery



Item	Qty	Description
1	1	Heater 12 or 24 V including circulating pump and electronic control unit (no circulating pump with Thermo Pro 90 Chiller)
2	1	Electronic control unit
3	1	Metering pump
4	1	Wiring harness (heater, 570 lg)
5	1	Wiring harness (metering pump, 5,000 lg)
6	1	Switch with lamp 12 or 24 V (not with 9029942A and 9029943A)
7	1	Fuse holder with wiring harness
8	1	Heater bracket
9	1	T-piece + fuel hoses & hose clamps (8 x 5 x 8)
10	1	Hose Ø 5 x 1.5; 6,000 lg
11	4	Fuel hose Øi 4.5/Øa 10.5; 50 lg
11a	2	Fuel hose Øi 8/Øa 12; 70 lg
12	8	Hose clamp (steel; Ø 10)
12a	4	Hose clamp (steel; Ø 12)
13	1	Bent hose Øi 20 / Øa 29; 2,200 lg
14	1	Air intake silencer PAK Øi 30,5/Øa 38; 1,160 lg
15	1	Exhaust silencer Øa 38
16	1	Flexible pipe (inoxyd.) Øi 38/Øa 42; 1,600 lg (1 x 1,000 mm + 1 x 600 mm)
17	2	Connection pipe Ø 18 x 20
18	2	Connection pipe Ø 20 x 20
19	7	Hose clamp Ø 23 ... 35
20	3	Hose clamp Ø 39 ... 42
21	2	Pipe clip Ø 42
22	15	Cable tie 178 lg
23	1	Exhaust through hull

1

Order number

9029940C

Thermo Pro 90 Marine 12 V Diesel

9029941C

Thermo Pro 90 Marine 24 V Diesel

9029942C

Thermo Pro 90 Chiller 12 V Diesel

9029943C

Thermo Pro 90 Chiller 24 V Diesel

2

Water system

For the distribution of heat in your boat you may need extra hoses, valves, expansion tank, convectors, air handlers etc. Please compose your water system individually.

3

Fuel supply

For the installation of the heater in the engine compartment the fuel supply system has to be fire-resistant according to EN ISO 7840. Please order the adequate components additionally (fuel lines, fuel supply kit, rubber hose, fuel pump protection).

4

Exhaust system

Depending on the installation position and length of the exhaust pipe you may need a condensation water drain and an exhaust pipe insulation additionally.

5

Control element

Please order an adequate control element. For the Thermo Pro 90 Chiller no control element is needed. The heater is activated via the air-conditioning control.

6

Accessories (optional)

For extension of your heater system you find comfort control elements as well as other installation and system components in the accessories section.