



Ajoneuvohallinto on Oy Talmu Ab:n, Salosta, hakemuksesta moottoriajoneuvojen varusteiden ja osien hyväksymisehtojen yhdenmukaistamista ja hyväksymisen vasta-  
vuuoroista tunnustamista koskevan sopimuksen voimaan saattamisesta annetun asetuksen 2 §:n nojalla päättänyt myöntää sopimuksen tarkoittaman ECE-hyväksymisen hakijan valmistamille HELLA- ja TALMU-merkkisille, mallia 14 1171-101 ja 14 1171-201 oleville, hyväksymisnumerolla 9401 varustetuille, oheisesta hyväksymistodistuksesta ja piirustuksista n:o 013322-00, 013323-00 ja 013330-00 lähemmin ilmeneville E-sääntöjen n:o 6/01 ja 7/02 mukaisille ajoneuvon takayhdistelmävaloille.

Hyväksymismerkinnällä varustettujen valaisimien tulee vastata niitä valaisimia, joiden testaukseen tämä hyväksymispäätös perustuu. Hyväksyminen voidaan peruuttaa, jos ilmenee, että hyväksymismerkinnällä varustetut valaisimet eivät täytä E-sääntöjen n:o 6/01 ja 7/02 vaatimuksia.

Helsingissä 3 päivänä toukokuuta 1994.

Ylijohtaja

Ove Knekt



Toimistoinsinööri

Keijo Kuikka

Maksu 750,- Oy Talmu Ab  
24100 Salo



2a  
01

COMMUNICATION



9401

concerning: APPROVAL GRANTED  
XXXXXXXXXXXXXXXXXXXX  
XXXXXXXXXXXXXXXXXXXX  
XXXXXXXXXXXXXXXXXXXX  
XXXXXXXXXXXXXXXXXXXX

of a type of direction indicator: category 2a  
pursuant to Regulation No. 6/01

Approval No. 9401

Extension No. -

1. Trade name or mark of the device: TALMU 14 1171-101,  
HELLA 14 1171-201
2. Manufacturer's name for the type of device: Rear combination lamp
3. Manufacturer's name and address: OY TALMU AB  
SF-24100 Salo, Finland
4. If applicable, name and address of the manufacturer's representative: -
5. Submitted for approval on: 25.4.1994
6. Technical service responsible for conducting approval tests: State Technical Research Centre (VTT), Automation, Electrotechnical Testing  
P.O.Box 13051  
FIN-02044 VTT  
Finland
7. Date of test report: 18.4.1994
8. Number of test report: AUT/STE638/94
9. Concise description:  
Category: -/2/- 2a  
Number and category of filament lamp(s): one lamp, P21W

10. Position of the approval mark: on the lens  
see drawings No.  
013322-00 and 013323-00

11. Reason(s) for extension (if applicable): -

12. Approval: granted/XXXXXXXX  
XXXXXXXXXXXXXXXXXXXX

13. Place: Helsinki

14. Date: 3.5.1994

15. Signature:



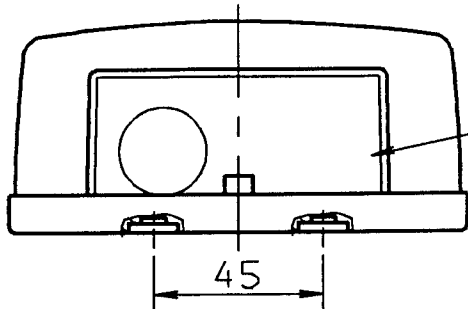
Ove Knekt  
General director

16. The list of documents deposited with the Administrative Service which has granted approval is annexed to this communication and may be obtained on request:

Test report No. AUT/STE638/94  
Drawings No. 013322-00  
013323-00  
013330-00







registration plate lamp  
 colour: clear  
 lamp: R10W  
 without reg. plate lamp  
 colour: red

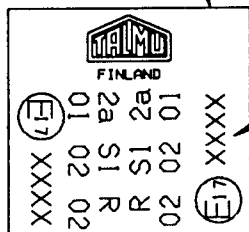
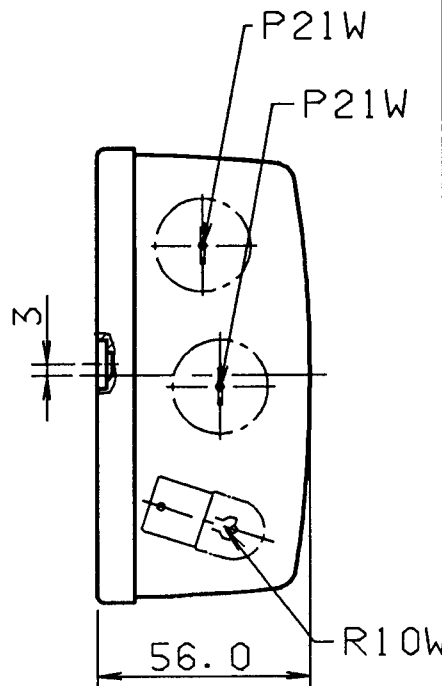
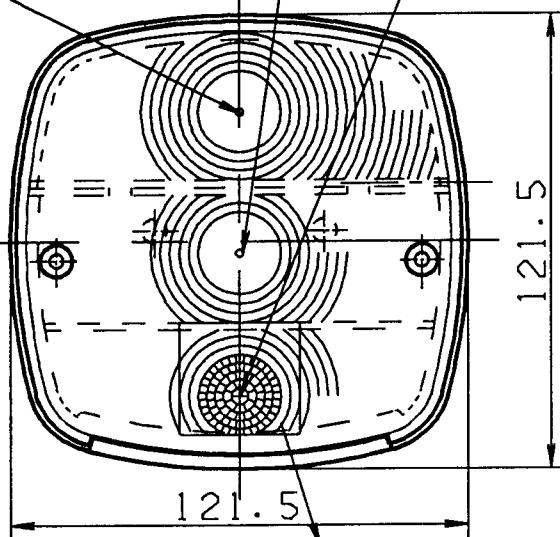
rear direction  
 indicator  
 category 2a  
 colour: amber  
 lamp: P21W

stop lamp  
 colour: red  
 lamp: P21W

rear position  
 (side) lamp  
 colour: red  
 lamp: R10W

vertical or  
 horizontal  
 reference axis

vertical or  
 horizontal  
 reference axis





area for markings

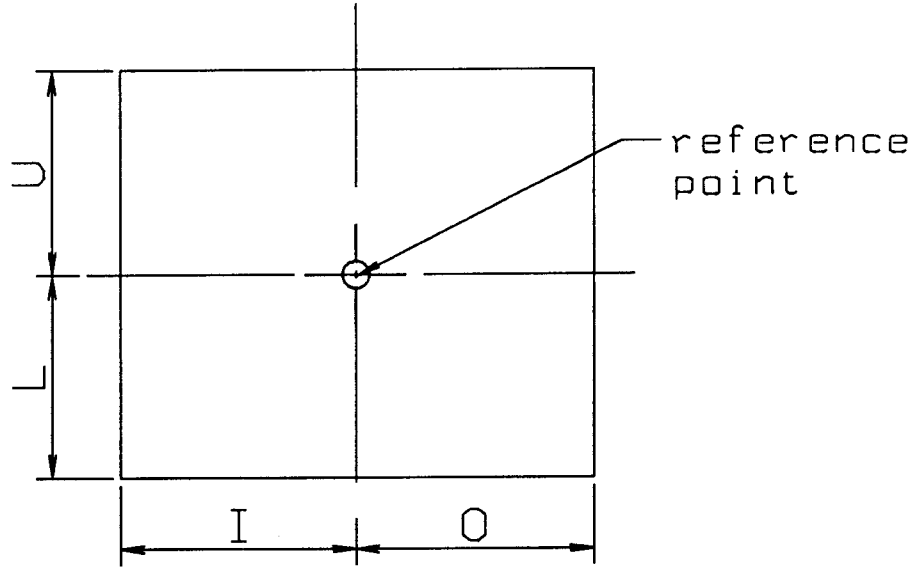


9401

PRODUCT NUMBER: 14 1171-101

SCALE	1 : 2	DATE	NAME	 OY TALMU AB FINLAND
		DRAWN	16.03.1994	
ISO-E		EXAM.	21.04.1994	
		GROUP		TUKE
PART NAME				MODE
REAR COMBINATION LAMP 1171 Talmu				H
DRAWING NO			ISO-A	
013323-00			4	
MCADAM				


Determining the lower, upper and lateral limits of the illuminating surface of the lamp device.  
 According to European DIRECTIVE 91/663/EEC, Annex I  
 "Installation of lightning and light-signalling devices",  
 clause 1.9.2.  
 According to ECE regulation 48/01  
 "Installation of lightning and light-signalling devices",  
 clause 2.9.2.



Function	upper limit (U) mm	lower limit (L) mm	outer limit (O) mm	inner limit (I) mm
Direction indicator category 2a	16	17	34	39
Stop lamp	14	20	41	48
Rear position (side) lamp	19	6	10	9

Belongs drw. no: 013322-00, 013323-00



SCALE	—	DATE	NAME	 <b>OY TALMU AB</b> FINLAND
	DRAWN	28.03.1994	EHa	
ISO-E	EXAM.		TUKE	
	GROUP			
PART NAME				MODE
REAR COMBINATION LAMP 1171 Talmu/Hella				H
ILLUMINATING SURFACE			DRAWING NO	ISO-A
			013330-00	4
			MCADAM	



COMMUNICATION

APPROVAL GRANTED  
XXXXXXXXXXXXXXXXXXXX  
XXXXXXXXXXXXXXXXXXXX  
XXXXXXXXXXXXXXXXXXXX  
XXXXXXXXXXXXXXXXXXXX

of a type of: rear position (side) lamp  
pursuant to Regulation No. 7/02

Approval No. 9401

Extension No. -

- |  |  |
|--|--|
| 1. Trade name or mark of the device:                                     | TALMU 14 1171-101,<br>HELLA 14 1171-201  |
| 2. Manufacturer's name for the type of device:                           | Rear combination lamp  |
| 3. Manufacturer's name and address:                                      | OY TALMU AB<br>SF-24100 Salo, Finland  |
| 4. If applicable, name and address of the manufacturer's representative: | -  |
| 5. Submitted for approval on:  | 25.4.1994  |
| 6. Technical service responsible for conducting approval tests:          | State Technical Research<br>Centre (VTT), Automation,<br>Electrotechnical Testing<br>P.O.Box 13051<br>FIN-02044 VTT<br>Finland |
| 7. Date of test report:  | 18.4.1994  |
| 8. Number of test report:  | AUT/STE638/94  |

9. Concise description:

By category of lamp: R  
Colour of light emitted: red/XXXXXXXXXXXXXXXXXXXXXXXXXXXX  
Number and category of filament lamp(s): one lamp, R10W

10. Position of the approval mark: on the lens  
see drawings No.  
013322-00 and 013323-00

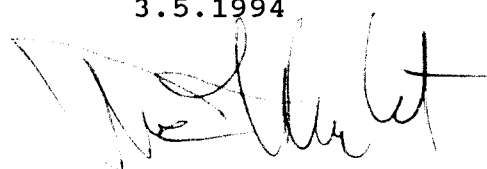
11. Reason(s) for extension (if applicable):-

12. Approval: granted/XXXXXXX  
XXXXXXXXXXXXXXXXXXXX

13. Place: Helsinki

14. Date: 3.5.1994

15. Signature:



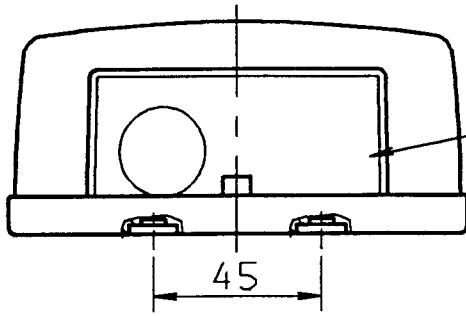
Ove Knekt  
General director

16. The list of documents deposited with the Administrative Service which has granted approval is annexed to this communication and may be obtained on request:

Test report No. AUT/STE638/94  
Drawings No. 013322-00  
013323-00  
013330-00







registration plate lamp  
 colour: clear  
 lamp: R10W  
 without reg. plate lamp  
 colour: red

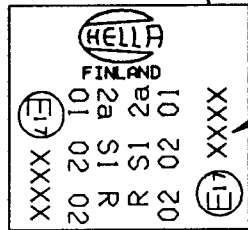
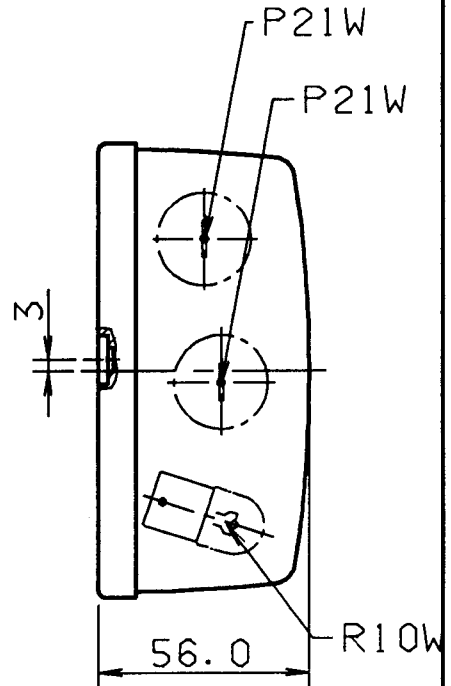
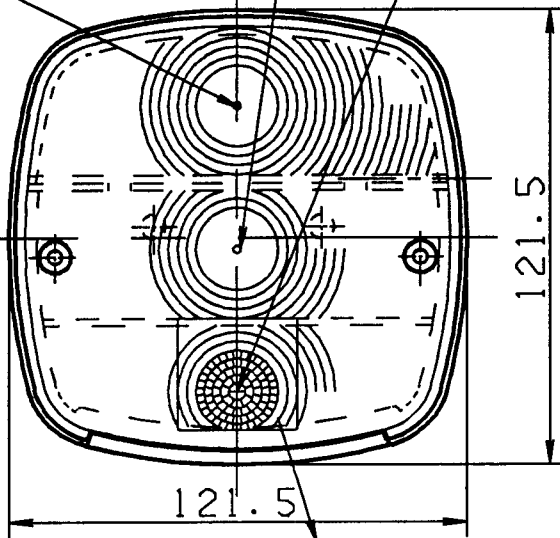
rear direction  
 indicator  
 category 2a  
 colour: amber  
 lamp: P21W

stop lamp  
 colour: red  
 lamp: P21W

rear position  
 (side) lamp  
 colour: red  
 lamp: R10W

vertical or  
 horizontal  
 reference axis

vertical or  
 horizontal  
 reference axis


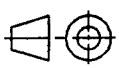


area for markings



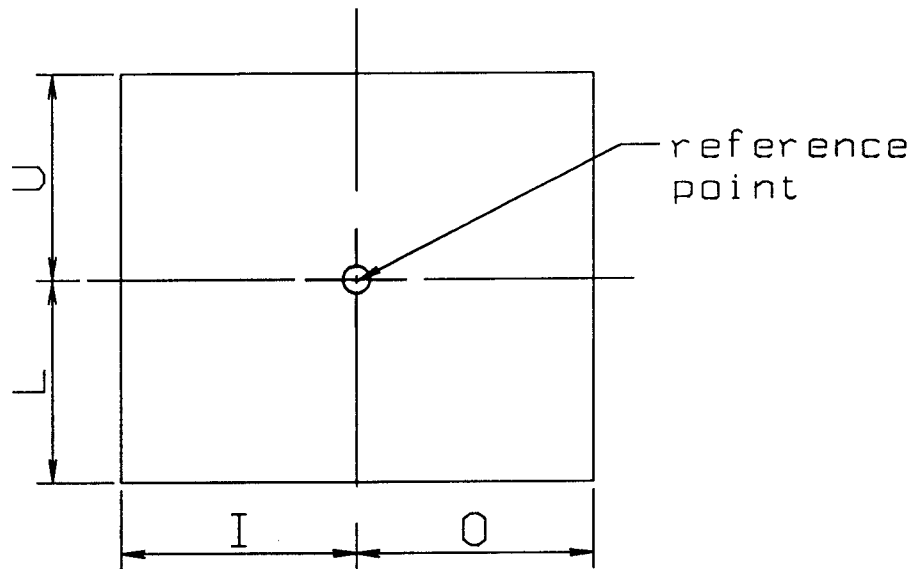
9401

PRODUCT NUMBER: 14 1171-201

SCALE	1:2	DATE	16.03.1994	NAME	EHa	 OY TALMU AB FINLAND	
ISO-E		EXAM.	21.04.1994	GROUP	TUKE		
PART NAME	REAR COMBINATION LAMP 1171 Hella						MODE
DRAWING NO					013322-00	ISO-A	4
MCADAM							




Determining the lower, upper and lateral limits of the illuminating surface of the lamp device.  
 According to European DIRECTIVE 91/663/EEC, Annex I  
 "Installation of lightning and light-signalling devices",  
 clause 1.9.2.  
 According to ECE regulation 48/01  
 "Installation of lightning and light-signalling devices",  
 clause 2.9.2.



Function	upper limit (U) mm	lower limit (L) mm	outer limit (O) mm	inner limit (I) mm
Direction indicator category 2a	16	17	34	39
Stop lamp	14	20	41	48
Rear position (side) lamp	19	6	10	9

Belongs drw. no: 013322-00, 013323-00



SCALE	—	DATE	NAME	 <b>OY TALMU AB</b> FINLAND
	DRAWN	28.03.1994	EHa	
ISO-E	EXAM.			
	GROUP		TUKE	
PART NAME				MODE
REAR COMBINATION LAMP 1171 Talmu/Hella				H
ILLUMINATING SURFACE			DRAWING NO	ISO-A
			013330-00	4
			MCADAM	



S1  
02

COMMUNICATION



9401

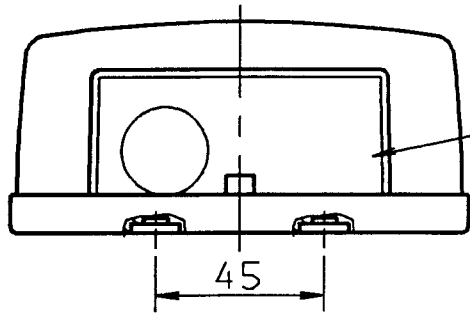
APPROVAL GRANTED  
XXXXXXXXXXXXXXXXXXXX  
XXXXXXXXXXXXXXXXXXXX  
XXXXXXXXXXXXXXXXXXXX  
XXXXXXXXXXXXXXXXXXXX

of a type of: stop lamp category S1 for one level of intensity  
pursuant to Regulation No. 7/02

Approval No. 9401

Extension No. -

- |  |  |
|--|--|
| 1. Trade name or mark of the device:                                     | TALMU 14 1171-101,<br>HELLA 14 1171-201  |
| 2. Manufacturer's name for the type of device:                           | Rear combination lamp  |
| 3. Manufacturer's name and address:                                      | OY TALMU AB<br>SF-24100 Salo, Finland  |
| 4. If applicable, name and address of the manufacturer's representative: | -  |
| 5. Submitted for approval on:  | 25.4.1994  |
| 6. Technical service responsible for conducting approval tests:          | State Technical Research<br>Centre (VTT), Automation,<br>Electrotechnical Testing<br>P.O.Box 13051<br>FIN-02044 VTT<br>Finland |
| 7. Date of test report:  | 18.4.1994  |
| 8. Number of test report:  | AUT/STE638/94  |



registration plate lamp  
 colour: clear  
 lamp: R10W  
 without reg. plate lamp  
 colour: red

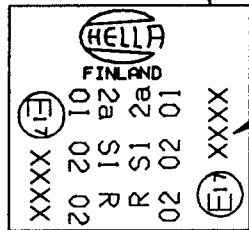
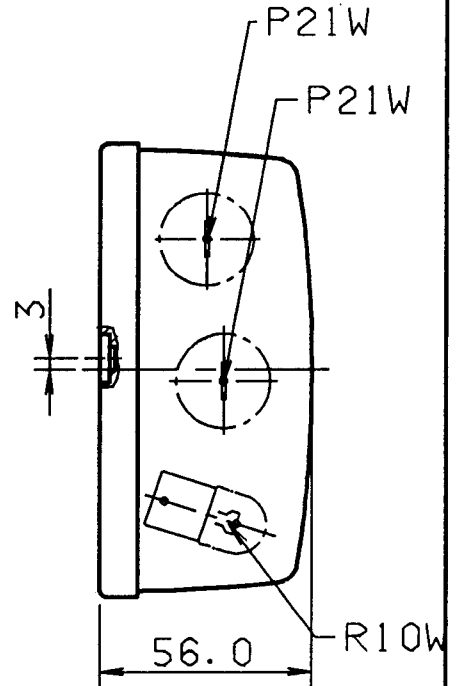
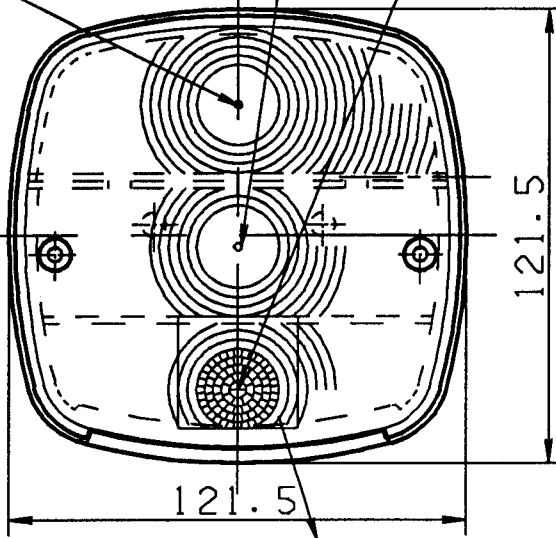
rear direction  
 indicator  
 category 2a  
 colour: amber  
 lamp: P21W

stop lamp  
 colour: red  
 lamp: P21W

rear position  
 (side) lamp  
 colour: red  
 lamp: R10W

vertical or  
 horizontal  
 reference axis

vertical or  
 horizontal  
 reference axis





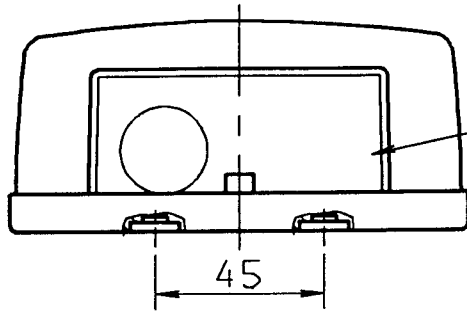
area for markings



9401

PRODUCT NUMBER: 14 1171-201

SCALE	1 : 2	DATE	NAME	 OY TALMU AB FINLAND
		DRAWN	16. 03. 1994	
ISO-E		EXAM.	21. 04. 1994	
		GROUP		TUKE
PART NAME				MODE
REAR COMBINATION LAMP 1171 Hella				H
DRAWING NO			ISO-A	
013322-00			4	
MCADAM				



registration plate lamp  
 colour: clear  
 lamp: R10W  
 without reg. plate lamp  
 colour: red

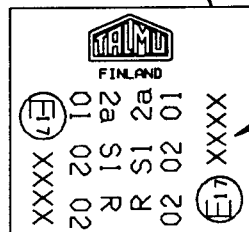
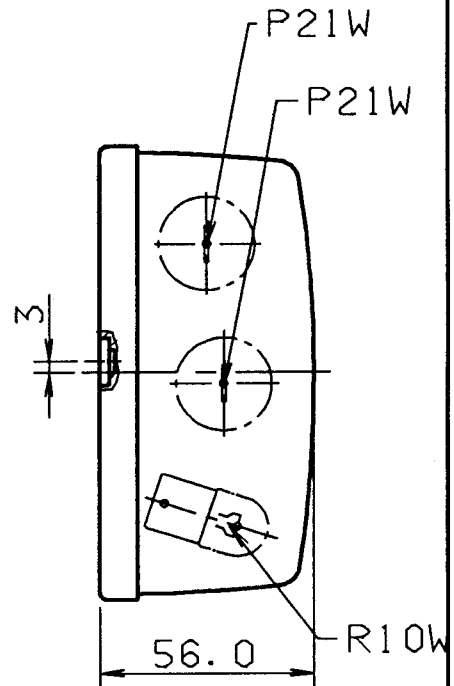
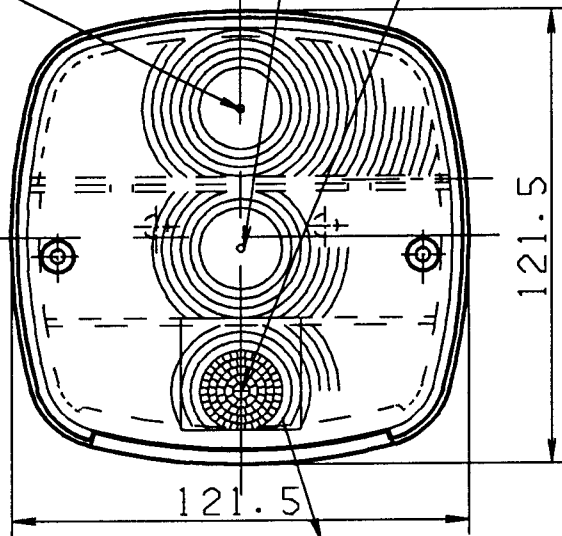
rear direction  
 indicator  
 category 2a  
 colour: amber  
 lamp: P21W

stop lamp  
 colour: red  
 lamp: P21W

rear position  
 (side) lamp  
 colour: red  
 lamp: R10W

vertical or  
 horizontal  
 reference axis

vertical or  
 horizontal  
 reference axis





area for markings

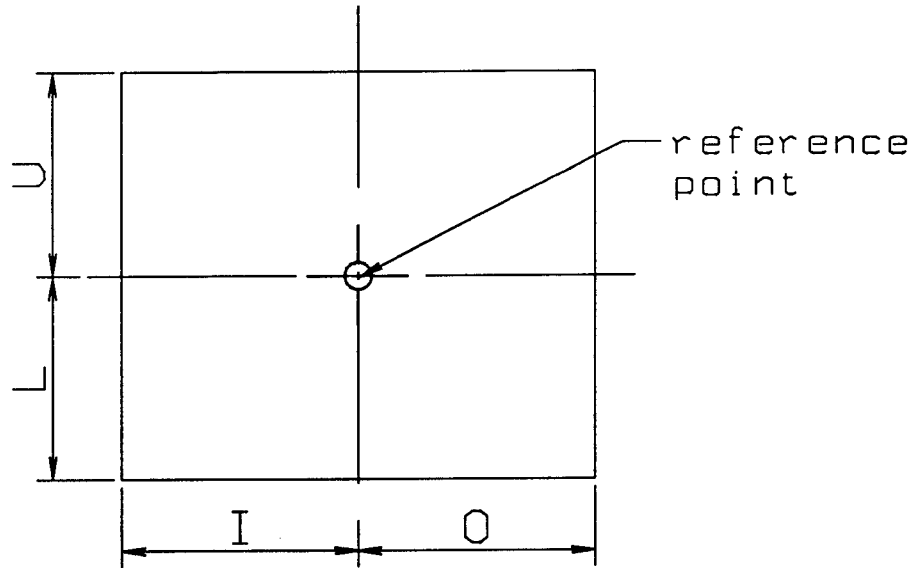


9401

PRODUCT NUMBER: 14 1171-101

SCALE	1:2	DRAWN	DATE	NAME	 OY TALMU AB FINLAND
ISO-E		EXAM.	16.03.1994	EHa	
		GROUP	21.04.1994	TUKE	
PART NAME					MODE
REAR COMBINATION LAMP 1171 Talmu					H
DRAWING NO				ISO-A	
013323-00				4	
MCADAM					

Determining the lower, upper and lateral limits of the illuminating surface of the lamp device.  
 According to European DIRECTIVE 91/663/EEC, Annex I  
 "Installation of lightning and light-signalling devices",  
 clause 1.9.2.  
 According to ECE regulation 48/01  
 "Installation of lightning and light-signalling devices",  
 clause 2.9.2.




Function	upper limit (U) mm	lower limit (L) mm	outer limit (O) mm	inner limit (I) mm
Direction indicator category 2a	16	17	34	39
Stop lamp	14	20	41	48
Rear position (side) lamp	19	6	10	9

Belongs drw. no: 013322-00, 013323-00



9401

SCALE	—	DATE	NAME	 <b>OY TALMU AB</b> FINLAND
	DRAWN	28.03.1994	EHa	
ISO-E	EXAM.		TUKE	
	GROUP			
PART NAME				MODE
REAR COMBINATION LAMP 1171 Talmu/Hella				H
ILLUMINATING SURFACE			DRAWING NO	ISO-A
			013330-00	4
			MCADAM	



Vehicle Administration Centre has, on the application of Oy Talmu Ab, located in Salo, by virtue of the Decree on Carrying into Effect the Agreement Concerning the Adoption of Uniform Conditions of Approval and Reciprocal Recognition of Approval for Motor Vehicle Equipment and Parts, § 2, decided to grant the ECE approval for the motor vehicle rear combination lamp, model Talmu 14 1171-101 and Hella 14 1171-201 manufactured by the applicant, carrying approval number 9401 extension 1, and complying with the ECE regulations No. 6/01 and 7/02 as specified in the enclosed Approval Certificate and Drawings No. 013322-00, 013322-01, 013323-00, 013323-01 and 013973-00.

The lamp devices marked with the approval number must correspond to the devices examined in tests on which this approval decision is based on. The approval can be cancelled if it is found that the lamp devices carrying the approval number do not comply with the requirements of ECE Regulations No. 6/01 and 7/02.

Helsinki, on the 2 th of October 1997.

Head of Unit

Martti Lahti

Inspection Engineer

Ismo Ronkainen

Fee FIM 1000,-

Oy Talmu Ab  
24100 Salo



2a  
01



9401

COMMUNICATION

concerning:

~~APPROVAL GRANTED~~  
~~APPROVAL EXTENDED~~  
~~APPROVAL REFUSED~~  
~~APPROVAL WITHDRAWN~~  
~~PRODUCTION DEFINITELY DISCONTINUED~~

of a type of direction indicator category 2a  
pursuant to Regulation No. 6/01

Approval No. 9401

Extension No. 1

1. Trade name or mark of the device:

Talmu 14 1171-101  
Hella 14 1171-201

2. Manufacturer's name for the type  
of device:

rear combination lamp

3. Manufacturer's name and  
address:

OY TALMU AB  
FIN-24100 Salo, Finland

4. If applicable, name and address of  
the manufacturer's representative:

-

5. Submitted for approval on:

24.09.1997

6. Technical service responsible  
for conducting approval tests:

Technical Research Centre of Finland,  
VTT AUTOMATION, ProTechno  
Electrotechnical Testing  
P.O.Box 13051  
FIN-02044 VTT, Finland

7. Date of test report:

18.4.1994 and 19.9.1997

8. Number of test report:

AUT/STE638/94 and AUT/PRO418/97



9. Concise description:

Category

2a

Number and category of  
filament lamp(s):

one lamp, P21W

10. Position of the approval mark:

on the lens, see drawings No. 013322-00, 013322-01  
013323-00 and 013323-01

11. Reason(s) for extension  
(if applicable):

frame around the lens which change apparent  
surface area, see drawings 013322-01 and 013323-01

12. Approval

~~granted/refused~~, extended/~~withdrawn~~

13. Place:

Helsinki

14. Date:

02.10.1997

15. Signature:



Martti Lahti  
Head of Unit



16. The list of documents deposited with the Administrative Service which has granted approval is annexed to this communication and may be obtained on request.

Test report No. AUT/STE638/94  
AUT/PRO418/97

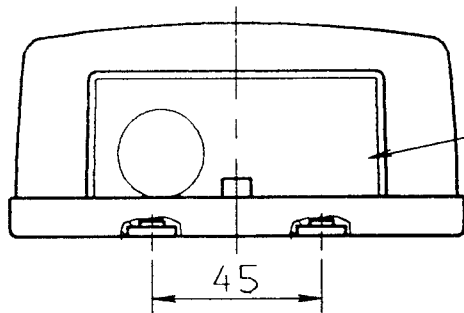
Drawings No. 013322-00  
013322-01  
013323-00  
013323-01  
013973-00

2a

01



9401



registration plate lamp  
 colour: clear  
 lamp: R10W  
 without reg. plate lamp  
 colour: red

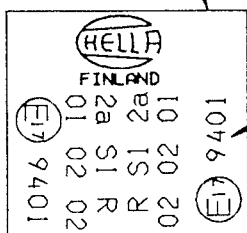
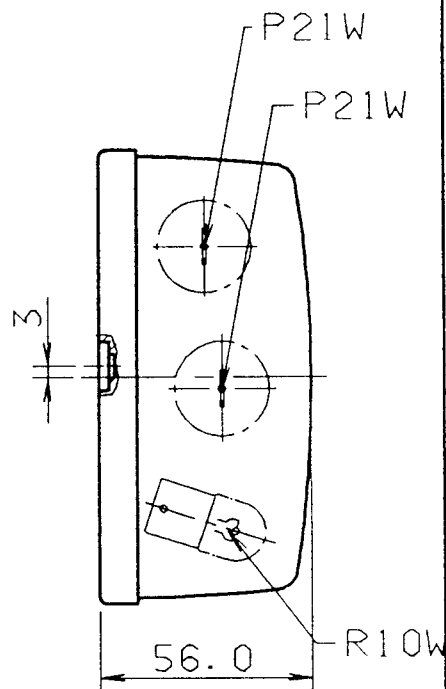
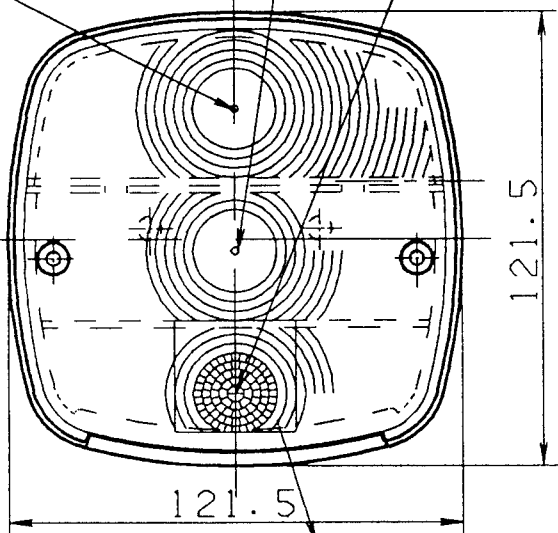
rear direction indicator  
 category 2a  
 colour: amber  
 lamp: P21W

stop lamp  
 colour: red  
 lamp: P21W

rear position (side) lamp  
 colour: red  
 lamp: R10W

vertical or horizontal reference axis




vertical or horizontal reference axis

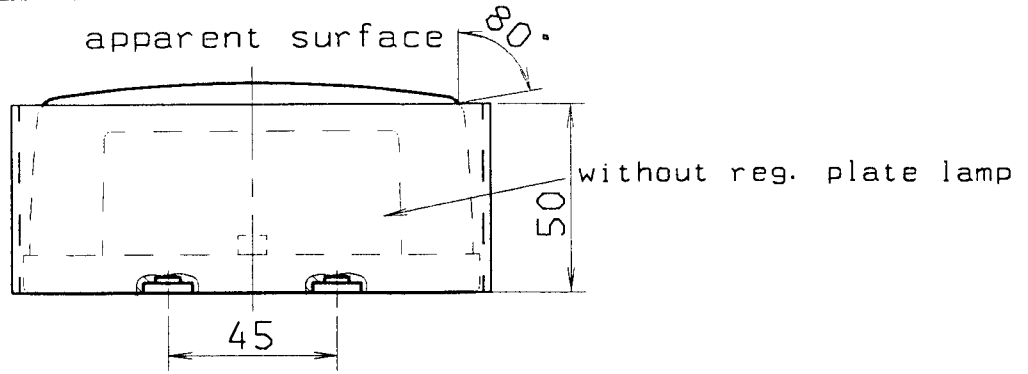


area for markings



PRODUCT NUMBER: 14 1171-201

SCALE 1:2	DATE	NAME	 OY TALMU AB FINLAND
	DRAWN	EHa	
ISO-E 	EXAM.	JDU	MODE H
	GROUP	TUKE	
PART NAME REAR COMBINATION LAMP 1171 Hella			DRAWING NO 013322-00
			
9401			MCADAM



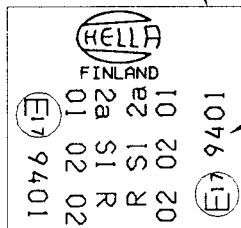
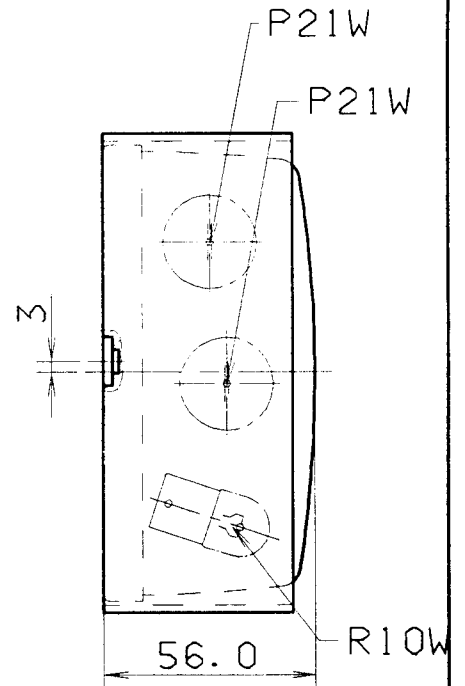
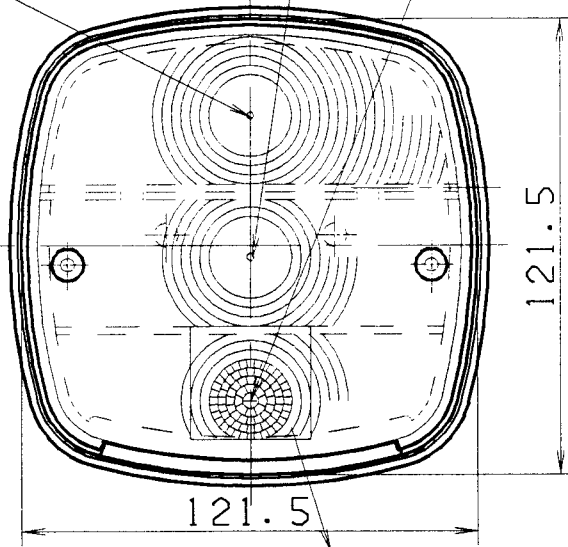
rear direction indicator category 2a colour: amber lamp: P21W

stop lamp colour: red lamp: P21W

rear position (side) lamp colour: red lamp: R10W


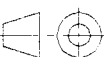

vertical or horizontal reference axis

vertical or horizontal reference axis

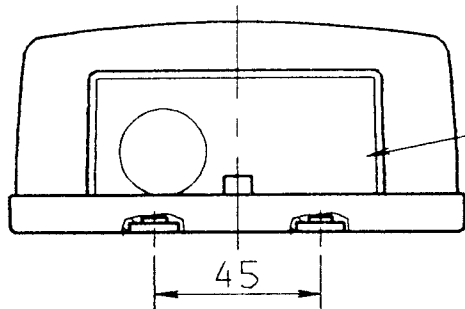


area for markings

PRODUCT NUMBER: 14 1171-201

SCALE	1:2	DRAWN	DATE	NAME	 OY TALMU AB FINLAND
ISO-E		EXAM.	04.09.1997	EHa	
		GROUP		TUKE	
PART NAME					MODE
REAR COMBINATION LAMP 1171 Hella					H
	DRAWING NO			ISO-A	
	013322-01			4	
MCADAM					

9401



registration plate lamp  
 colour: clear  
 lamp: R10W  
 without reg. plate lamp  
 colour: red

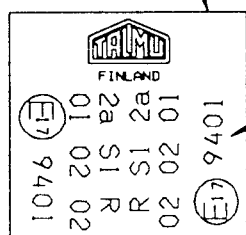
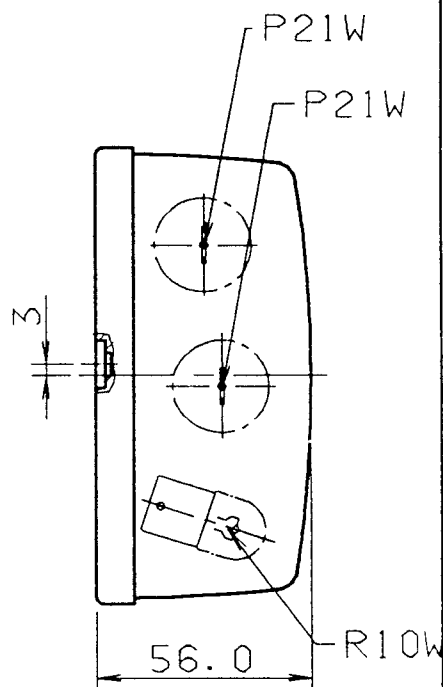
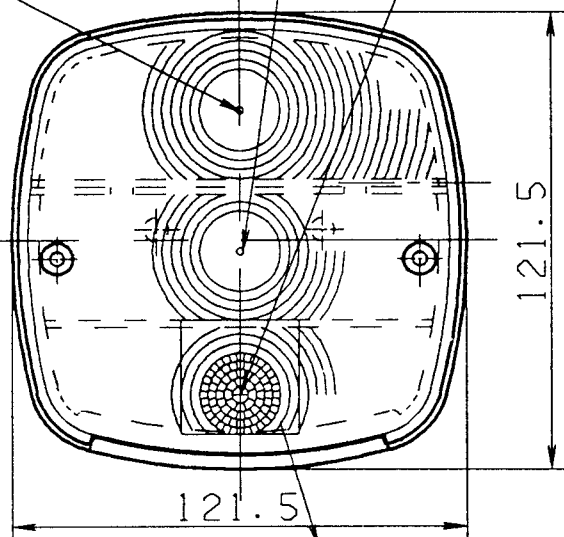
rear direction  
 indicator  
 category 2a  
 colour: amber  
 lamp: P21W

stop lamp  
 colour: red  
 lamp: P21W

rear position  
 (side) lamp  
 colour: red  
 lamp: R10W


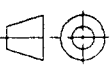
vertical or  
 horizontal  
 reference axis

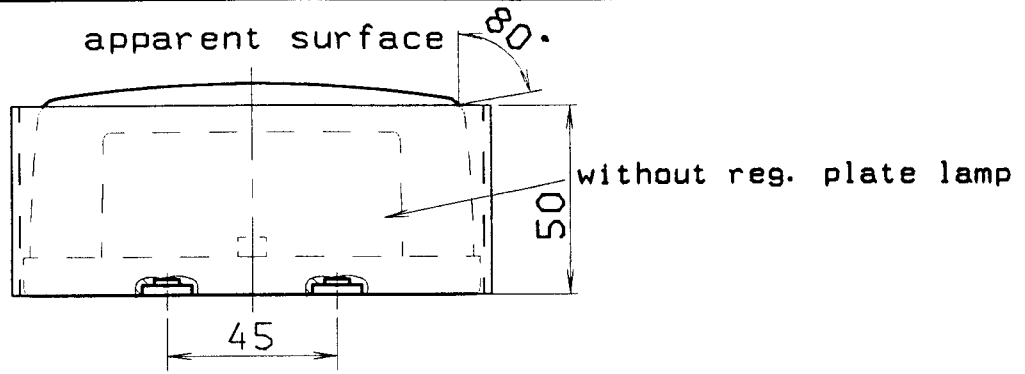
vertical or  
 horizontal  
 reference axis



area for markings

PRODUCT NUMBER: 14 1171-101

SCALE	1 : 2	DATE	NAME	 OY TALMU AB FINLAND
ISO-E		DRAWN	EXAM.	
		GROUP		
PART NAME				MODE
REAR COMBINATION LAMP 1171 Talmu				H
DRAWING NO			ISO-A	
013323-00			4	
9401				MCADAM



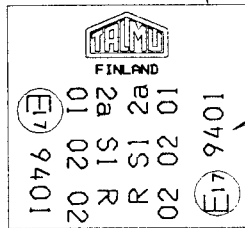
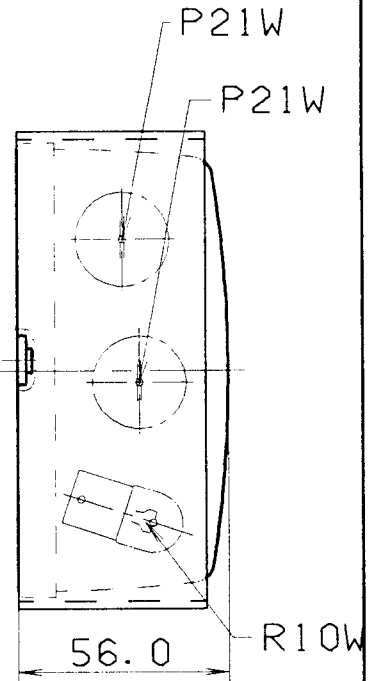
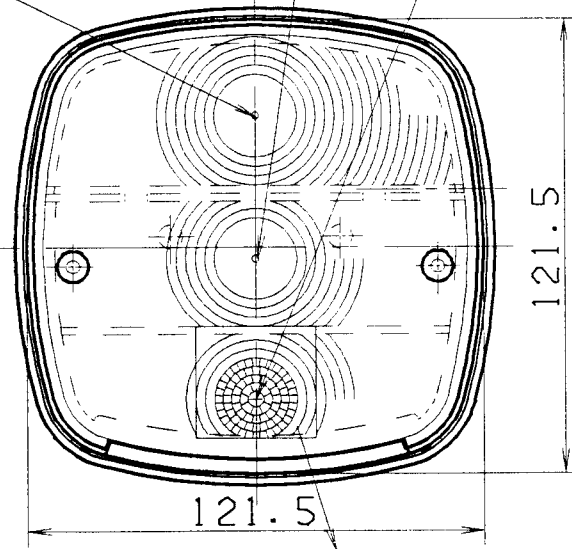
rear direction indicator  
category 2a  
colour: amber  
lamp: P21W

stop lamp  
colour: red  
lamp: P21W

rear position (side) lamp  
colour: red  
lamp: R10W


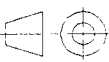
vertical or horizontal reference axis

vertical or horizontal reference axis



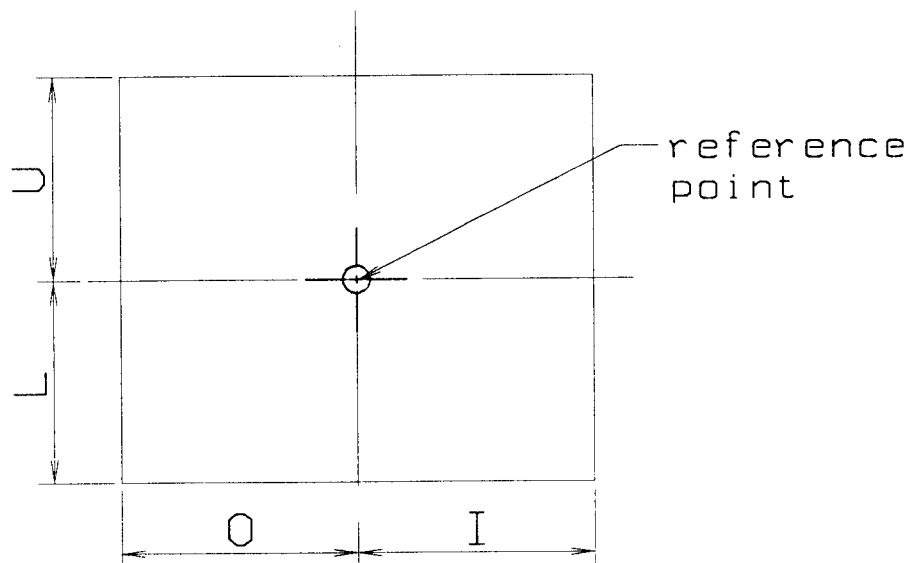
area for markings

PRODUCT NUMBER: 14 1171-101

SCALE	1:2	DRAWN	DATE	NAME	 OY TALMU AB FINLAND
ISO-E		EXAM.	04.09.1997	EHa	
PART NAME	REAR COMBINATION LAMP	GROUP		TUKE	
					MODE
					H
				DRAWING NO	ISO-A
				013323-01	4
				MCADAM	

9401

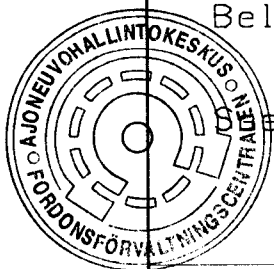
Determining the lower, upper and lateral limits of the illuminating surface of the lamp device.  
 According to European DIRECTIVE 91/663/EEC, Annex I  
 "Installation of lightning and light-signalling devices",  
 clause 1.9.2.  
 According to ECE regulation 48/01  
 "Installation of lightning and light-signalling devices",  
 clause 2.9.2.


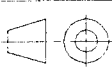



Function	upper limit (U) mm	lower limit (L) mm	outer limit (O) mm	inner limit (I) mm
Direction indicator category 2a	16	17	41	36
Stop lamp	15	19	49	43
Rear position (side) lamp	9	6	11	10

Belongs drw. no: 013322-00, 013323-00  
 013322-01, 013323-01

test report VTT AUT/PRO418/97



SCALE	—	DRAWN	22.09.1997	NAME	EHa	 OY TALMU AB FINLAND			
ISO-E		EXAM.		GROUP	TUKE				
PART NAME	REAR COMBINATION LAMP 1171 Talmu/Hella						MODE	H	
	ILLUMINATING SURFACE					DRAWING NO	013973-00	ISO-A	4
9401						MCADAM			

R  
02



9401

COMMUNICATION

concerning:

~~APPROVAL GRANTED~~  
~~APPROVAL EXTENDED~~  
~~APPROVAL REFUSED~~  
~~APPROVAL WITHDRAWN~~  
~~PRODUCTION DEFINITELY DISCONTINUED~~

of a type of: rear position (side) lamp  
pursuant to Regulation No. 7/02

Approval No. 9401

Extension No. 1

1. Trade name or mark of the device:

Talmu 14 1171-101  
Hella 14 1171-201

2. Manufacturer's name for the type  
of device:

rear combination lamp

3. Manufacturer's name and  
address:

OY TALMU AB  
FIN-24100 Salo, Finland

4. If applicable, name and address of  
the manufacturer's representative:

-

5. Submitted for approval on:

24.09.1997

6. Technical service responsible  
for conducting approval tests:

Technical Research Centre of Finland,  
VTT AUTOMATION, ProTechno  
Electrotechnical Testing  
P.O.Box 13051  
FIN-02044 VTT, Finland

7. Date of test report:

18.4.1994 and 19.9.1997

8. Number of test report:

AUT/STE638/94 and AUT/PRO418/97





9. Concise description:

By category of lamp: R  
Colour of light emitted: red/~~selective yellow~~/white  
Number and category of filament lamp(s): one lamp, R10W

10. Position of the approval mark: on the lens, see drawings No. 013322-00, 013322-01, 013323-00 and 013323-01

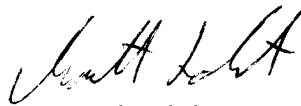
11. Reason(s) for extension (if applicable): frame around the lens which change apparents surface area, see drawings 013322-01 and 013323-01

12. Approval: ~~granted/refused~~, extended/~~withdrawn~~

13. Place: Helsinki

14. Date: 02.10.1997

15. Signature:

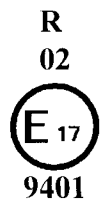


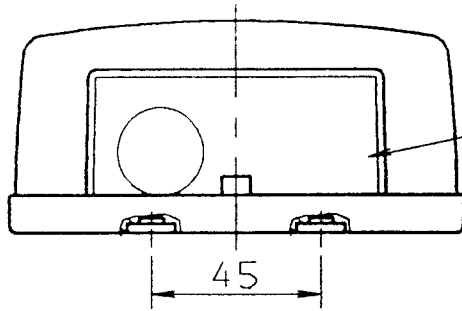
Martti Lahti  
Head of Unit



16. The list of documents deposited with the Administrative Service which has granted approval is annexed to this communication and may be obtained on request.

Test reports No. AUT/STE638/94  
AUT/PRO418/97  
Drawings No. 013322-00  
013322-01  
013323-00  
013323-01  
013973-00





registration plate lamp  
 colour: clear  
 lamp: R10W  
 without reg. plate lamp  
 colour: red

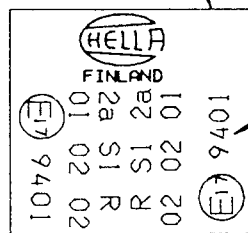
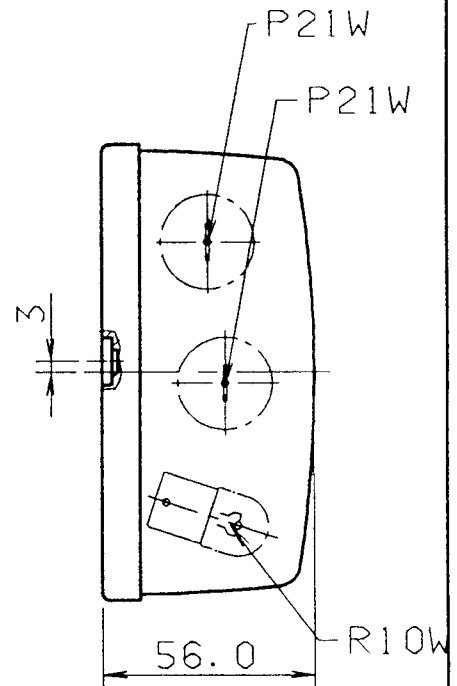
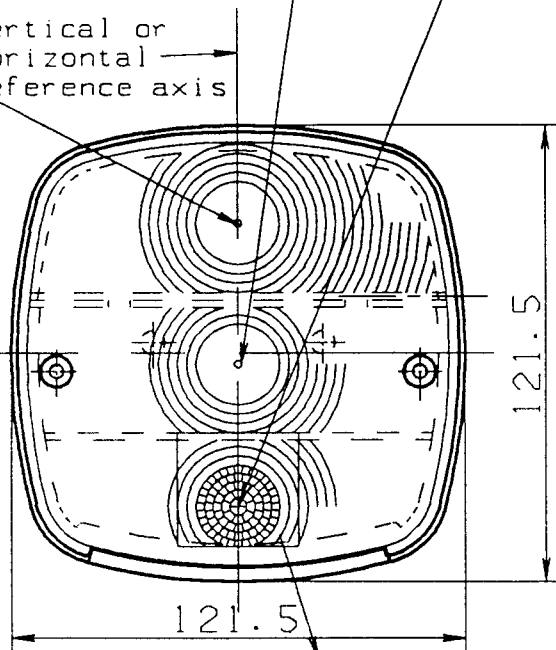
rear direction  
 indicator  
 category 2a  
 colour: amber  
 lamp: P21W

stop lamp  
 colour: red  
 lamp: P21W

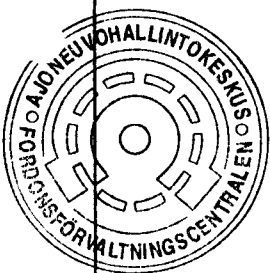
rear position  
 (side) lamp  
 colour: red  
 lamp: R10W

vertical or  
 horizontal  
 reference axis



vertical or  
 horizontal  
 reference axis

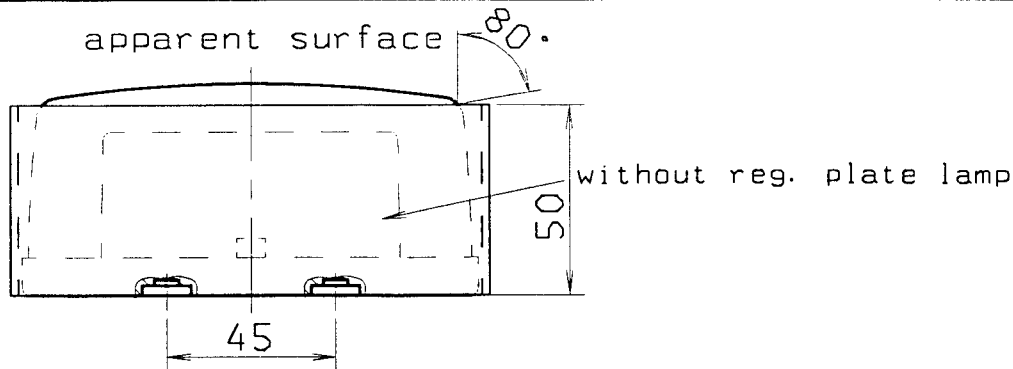


area for markings



PRODUCT NUMBER: 14 1171-201

SCALE	1 : 2	DATE	NAME	 OY TALMU AB FINLAND
ISO-E		DRAWN	EXAM.	
		GROUP		
PART NAME				MODE
REAR COMBINATION LAMP 1171 Hella				H
DRAWING NO			ISO-A	
013322-00			4	
9401				MCADAM



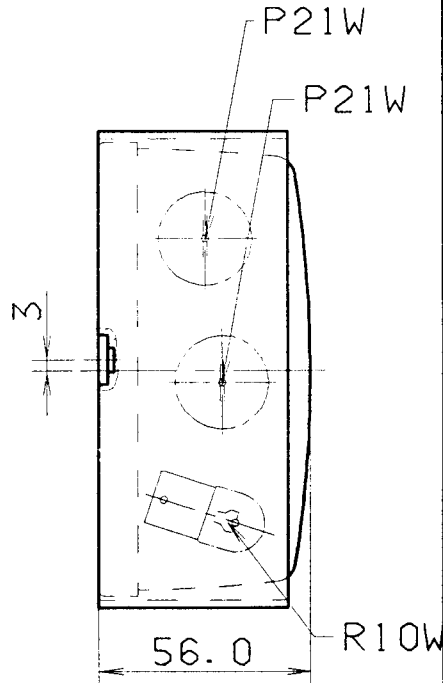
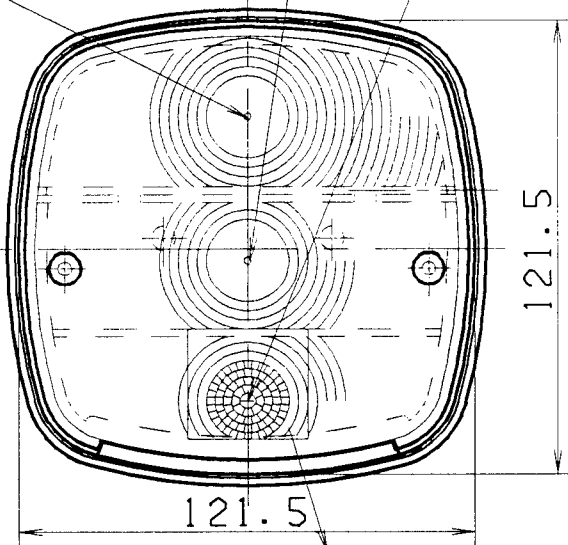
rear direction indicator category 2a colour: amber lamp: P21W

stop lamp colour: red lamp: P21W

rear position (side) lamp colour: red lamp: R10W

vertical or horizontal reference axis


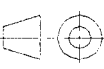
vertical or horizontal reference axis



HELLA  
FINLAND  
10 20 01 2a 2a 2a  
17 9401  
1076 9401  
E17

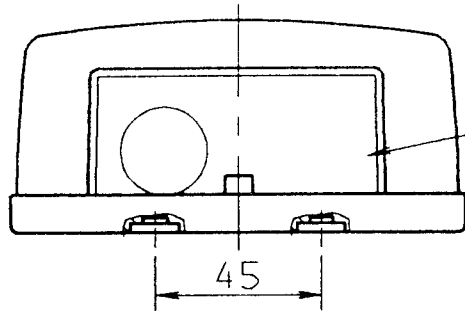
area for markings

PRODUCT NUMBER: 14 1171-201

SCALE	1:2	DRAWN	DATE	NAME	 OY TALMU AB FINLAND
ISO-E		EXAM.	04. 09. 1997	EHa	
		GROUP		TUKE	
PART NAME					MODE
REAR COMBINATION LAMP 1171 Hella					H
DRAWING NO				ISO-A	
013322-01				4	
MCADAM					



9401



registration plate lamp  
 colour: clear  
 lamp: R10W  
 without reg. plate lamp  
 colour: red

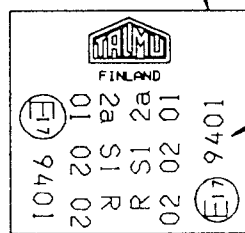
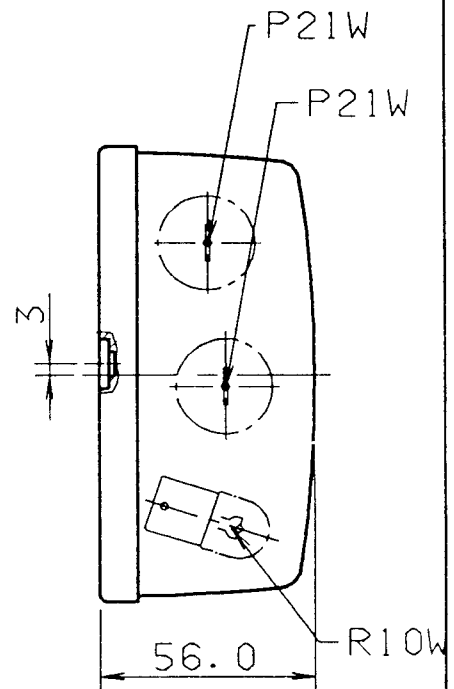
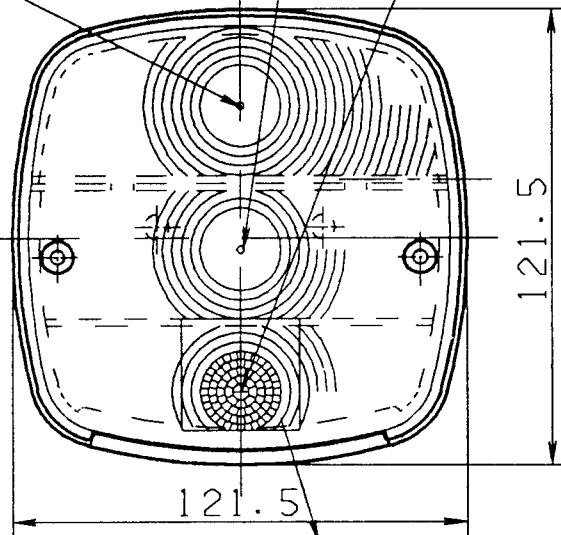
rear direction  
 indicator  
 category 2a  
 colour: amber  
 lamp: P21W

stop lamp  
 colour: red  
 lamp: P21W

rear position  
 (side) lamp  
 colour: red  
 lamp: R10W


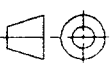

vertical or  
 horizontal  
 reference axis

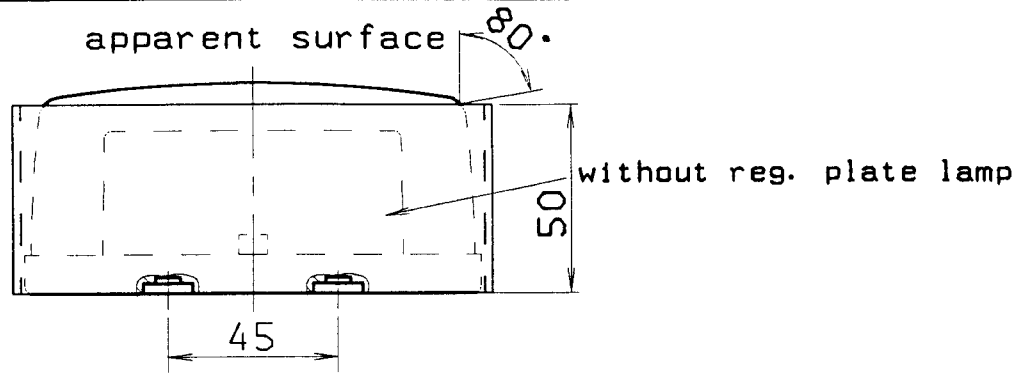
vertical or  
 horizontal  
 reference axis



area for markings

PRODUCT NUMBER: 14 1171-101

SCALE	1 : 2	DRAWN	16.03.1994	DATE	16.03.1994	NAME	EHa	 OY TALMU AB FINLAND
ISO-E		EXAM.	21.04.1994	GROUP		TUKE		
PART NAME								MODE
REAR COMBINATION LAMP 1171 Talmu								H
						DRAWING NO		ISO-A
9401						013323-00		4
						MCADAM		



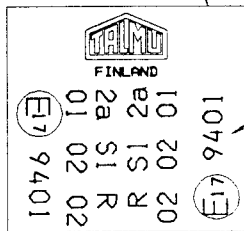
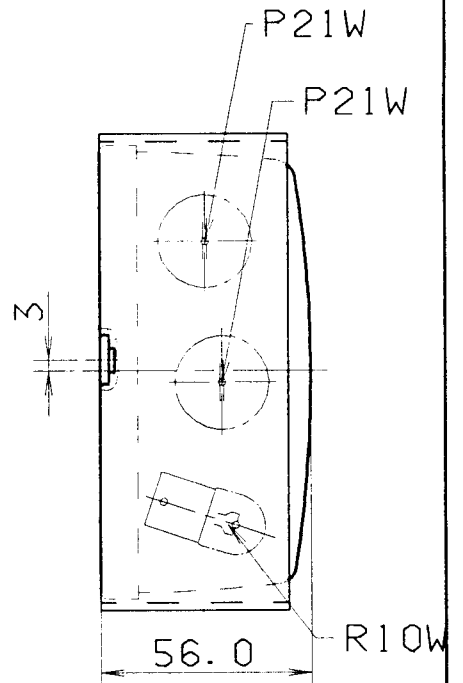
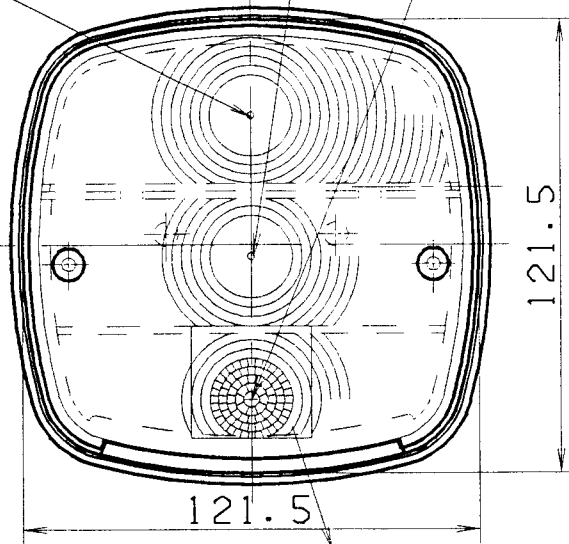
rear direction indicator  
category 2a  
colour: amber  
lamp: P21W

stop lamp  
colour: red  
lamp: P21W

rear position (side) lamp  
colour: red  
lamp: R10W




vertical or horizontal reference axis

vertical or horizontal reference axis

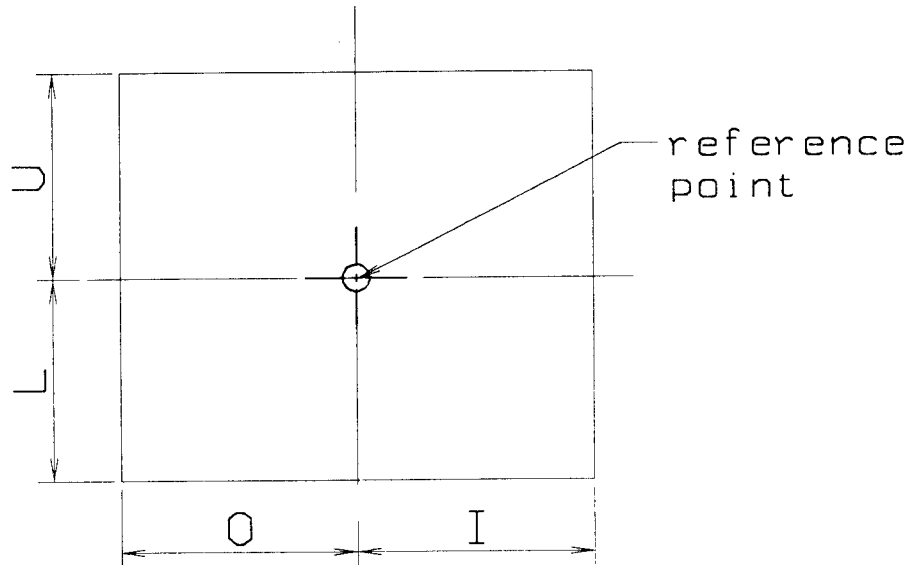


area for markings

PRODUCT NUMBER: 14 1171-101

SCALE	1:2	DRAWN	DATE	NAME	 OY TALMU AB FINLAND
ISO-E		EXAM.	04.09.1997	EHa	
PART NAME	REAR COMBINATION LAMP 1171 Talmu			MODE	
			DRAWING NO	013323-01	ISO-A
	9401		MCADAM		4

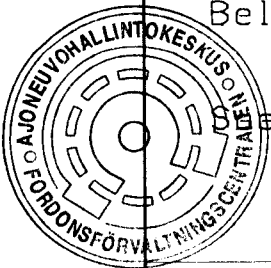
Determining the lower, upper and lateral limits of the illuminating surface of the lamp device.  
 According to European DIRECTIVE 91/663/EEC, Annex I  
 "Installation of lightning and light-signalling devices",  
 clause 1.9.2.  
 According to ECE regulation 48/01  
 "Installation of lightning and light-signalling devices",  
 clause 2.9.2.


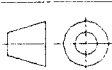


Function	upper limit (U) mm	lower limit (L) mm	outer limit (O) mm	inner limit (I) mm
Direction indicator category 2a	16	17	41	36
Stop lamp	15	19	49	43
Rear position (side) lamp	9	6	11	10

Belongs drw. no: 013322-00, 013323-00  
 013322-01, 013323-01

test report VTT AUT/PRO418/97



SCALE	—	DRAWN	22.09.1997	NAME	EHa	 OY TALMU AB FINLAND			
ISO-E		EXAM.		GROUP	TUKE				
PART NAME	REAR COMBINATION LAMP 1171 Talmu/Hella						MODE	H	
ILLUMINATING SURFACE	9401					DRAWING NO	013973-00	ISO-A	4
						MCADAM			

S1

02



9401

COMMUNICATION

concerning:

~~APPROVAL GRANTED~~  
~~APPROVAL EXTENDED~~  
~~APPROVAL REFUSED~~  
~~APPROVAL WITHDRAWN~~  
~~PRODUCTION DEFINITELY DISCONTINUED~~

of a type of: stop lamp category S1 for one level of intensity  
pursuant to Regulation No. 7/02

Approval No. 9401

Extension No. 1

1. Trade name or mark of the device:

Talmu 14 1171-101  
Hella 14 1171-201

2. Manufacturer's name for the type  
of device:

rear combination lamp

3. Manufacturer's name and  
address:

OY TALMU AB  
FIN-24100 Salo, Finland

4. If applicable, name and address of  
the manufacturer's representative:

-

5. Submitted for approval on:

24.09.1997

6. Technical service responsible  
for conducting approval tests:

Technical Research Centre of Finland,  
VTT AUTOMATION, ProTechno  
Electrotechnical Testing  
P.O.Box 13051  
FIN-02044 VTT, Finland

7. Date of test report:

18.4.1994 and 19.9.1997

8. Number of test report:

AUT/STE638/94 and AUT/PRO418/97



9. Concise description:

By category of lamp: S1  
Colour of light emitted: red/~~selective yellow~~/white  
Number and category of filament lamp(s): one lamp, P21W

10. Position of the approval mark: on the lens, see drawings No. 013322-00, 013322-01, 013323-00 and 013323-01

11. Reason(s) for extension (if applicable): frame around the lens which change apparents surface area, see drawings 013322-01 and 013323-01

12. Approval: ~~granted/refused~~, extended/~~withdrawn~~

13. Place: Helsinki

14. Date: 02.10.1997

15. Signature:



Martti Lahti  
Head of Unit



16. The list of documents deposited with the Administrative Service which has granted approval is annexed to this communication and may be obtained on request.

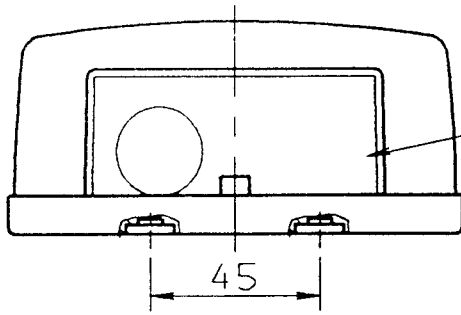
Test reports No. AUT/STE638/94 and AUT/PRO418/97  
Drawings No. 013322-00  
013322-01  
013323-00  
013323-01  
013973-00

S1  
02



9401





registration plate lamp  
 colour: clear  
 lamp: R10W  
 without reg. plate lamp  
 colour: red

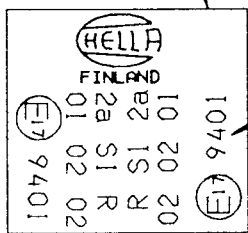
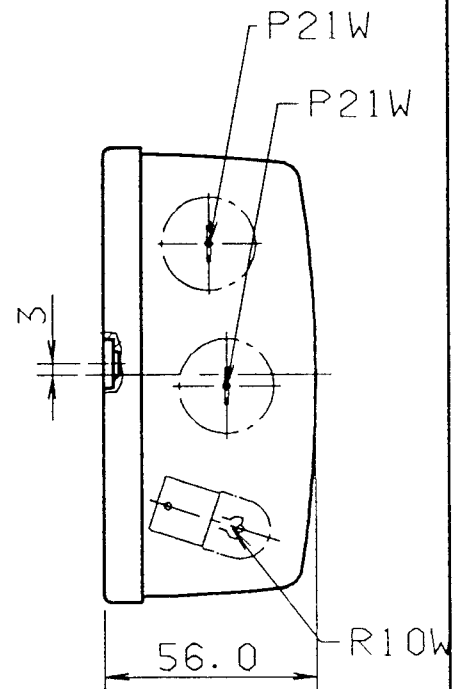
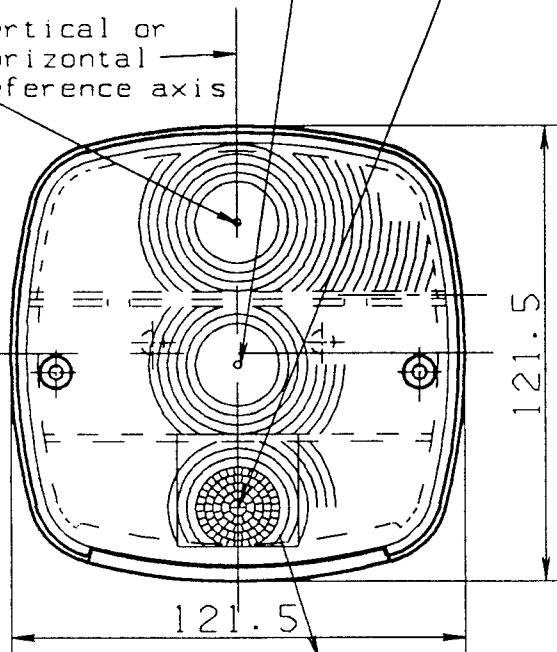
rear direction  
 indicator  
 category 2a  
 colour: amber  
 lamp: P21W

stop lamp  
 colour: red  
 lamp: P21W

rear position  
 (side) lamp  
 colour: red  
 lamp: R10W

vertical or  
 horizontal  
 reference axis


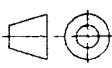
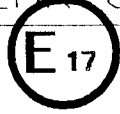
vertical or  
 horizontal  
 reference axis

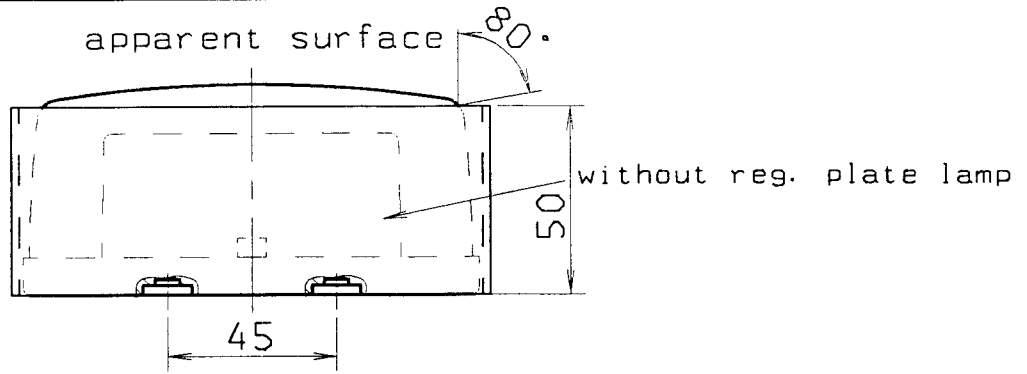


area for markings



PRODUCT NUMBER: 14 1171-201

SCALE	1 : 2	DATE	NAME	 OY TALMU AB FINLAND
ISO-E		DRAWN	EXAM.	
		GROUP		
PART NAME				MODE
REAR COMBINATION LAMP 1171 Hella				H
	DRAWING NO		ISO-A	
	013322-00		4	
9401	MCADAM			



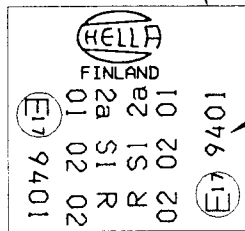
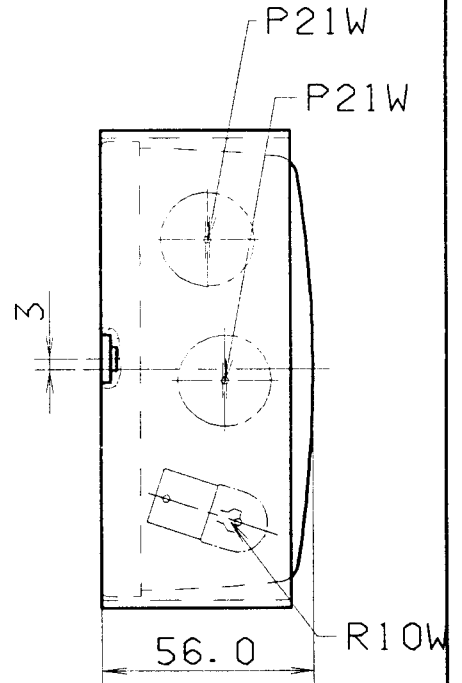
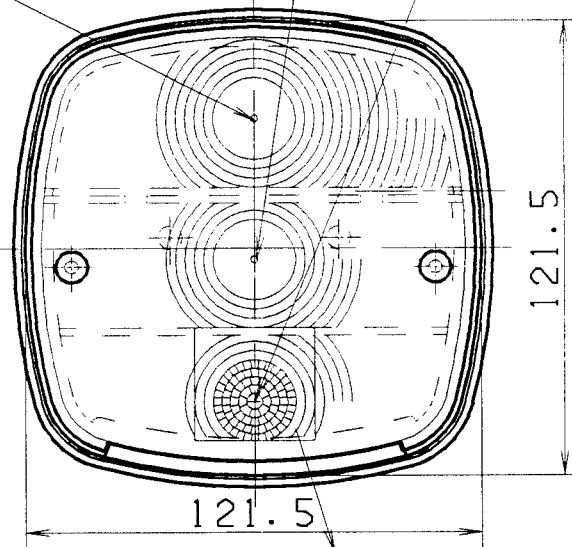
rear direction indicator  
category 2a  
colour: amber  
lamp: P21W

stop lamp  
colour: red  
lamp: P21W

rear position (side) lamp  
colour: red  
lamp: R10W


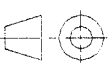
vertical or horizontal reference axis

vertical or horizontal reference axis



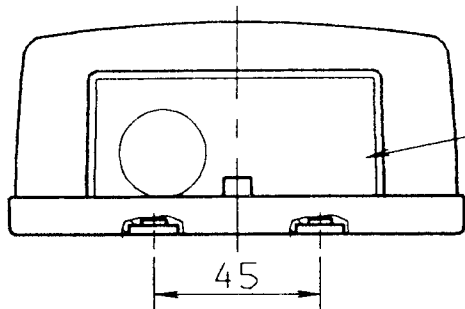
area for markings

PRODUCT NUMBER: 14 1171-201

SCALE	1:2	DRAWN	DATE	NAME	 OY TALMU AB FINLAND
ISO-E		EXAM.	04. 09. 1997	EHa	
		GROUP		TUKE	
PART NAME					MODE
REAR COMBINATION LAMP 1171 Hella					H
DRAWING NO					ISO-A
013322-01					4
MCADAM					



9401



registration plate lamp  
 colour: clear  
 lamp: R10W  
 without reg. plate lamp  
 colour: red

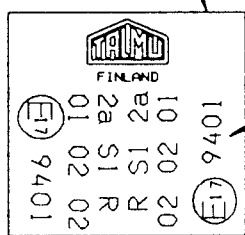
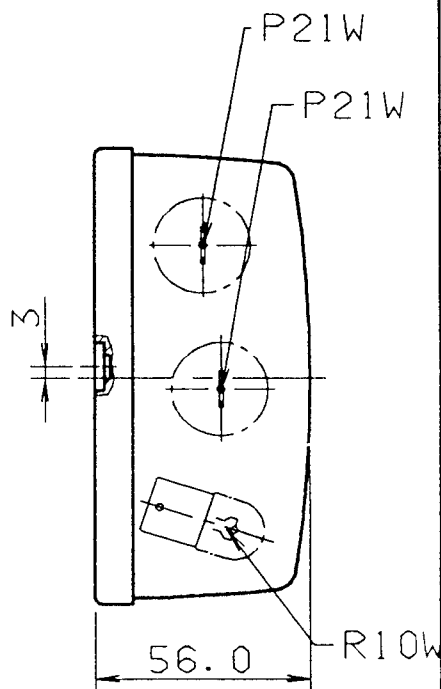
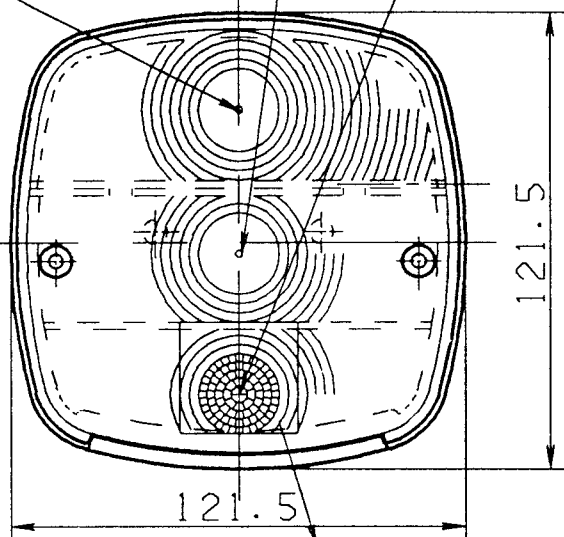
rear direction  
 indicator  
 category 2a  
 colour: amber  
 lamp: P21W

stop lamp  
 colour: red  
 lamp: P21W

rear position  
 (side) lamp  
 colour: red  
 lamp: R10W



vertical or  
 horizontal  
 reference axis

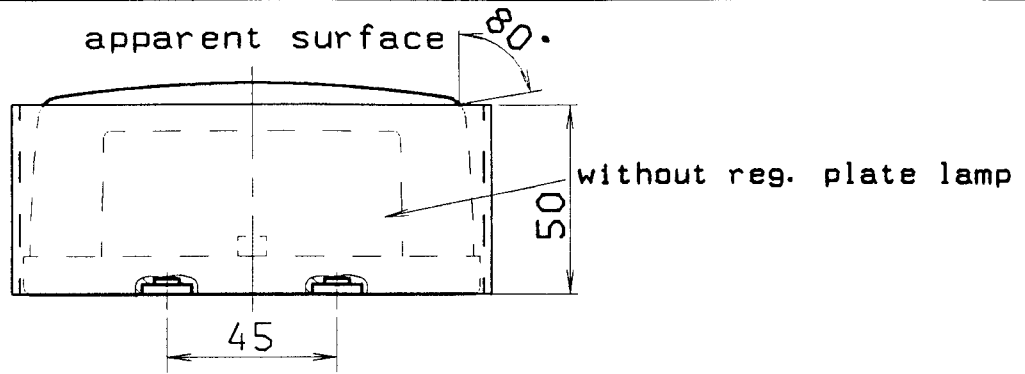
vertical or  
 horizontal  
 reference axis



area for markings

PRODUCT NUMBER: 14 1171-101

SCALE	1 : 2	DATE	NAME	 OY TALMU AB FINLAND
ISO-E		DRAWN	EXAM.	
		GROUP		
PART NAME				MODE
REAR COMBINATION LAMP 1171 Talmu				H
DRAWING NO			ISO-A	
013323-00			4	
9401			MCADAM	



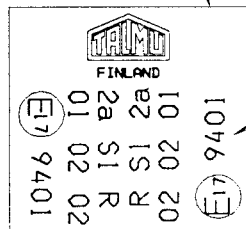
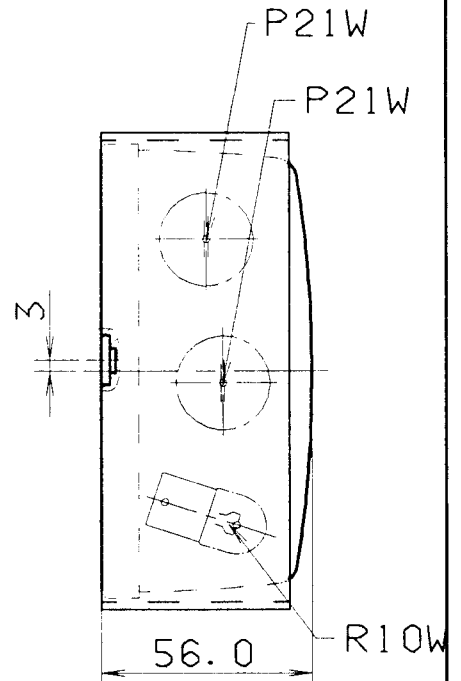
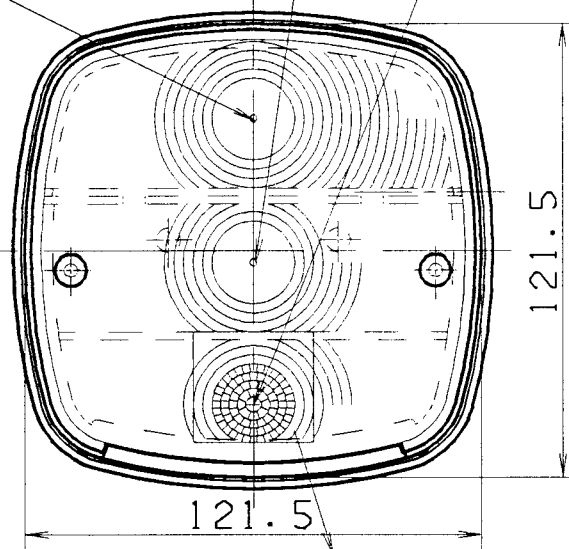
rear direction indicator  
category 2a  
colour: amber  
lamp: P21W

stop lamp  
colour: red  
lamp: P21W

rear position (side) lamp  
colour: red  
lamp: R10W


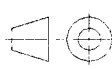

vertical or horizontal reference axis

vertical or horizontal reference axis

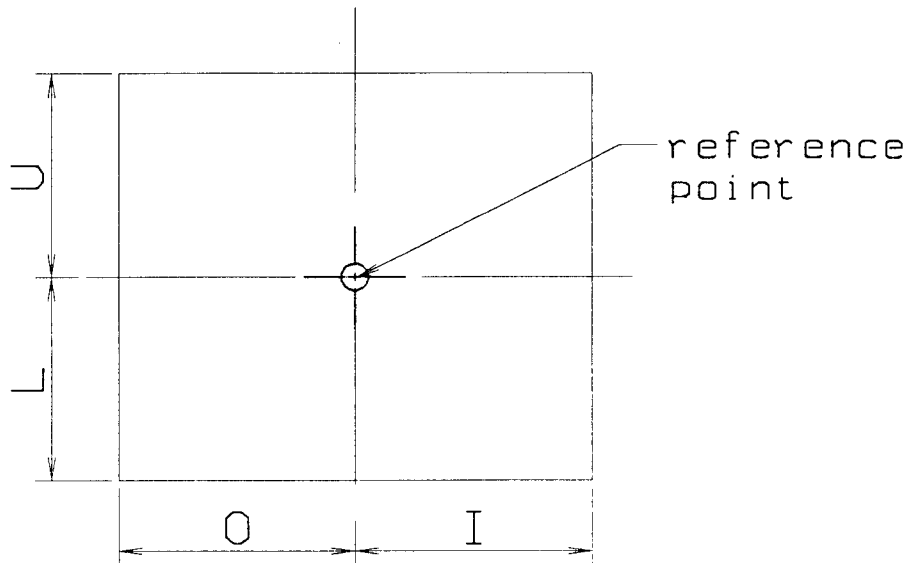


area for markings

PRODUCT NUMBER: 14 1171-101

SCALE	1:2	DRAWN	DATE	NAME	 OY TALMU AB FINLAND
ISO-E		EXAM. GROUP	04.09.1997	EHa	
PART NAME	REAR COMBINATION LAMP 1171 Talmu				MODE
	DRAWING NO				ISO-A
9401	013323-01				4
	MCADAM				

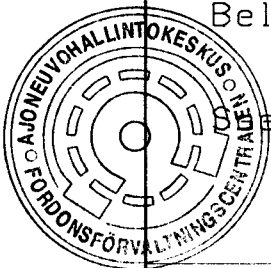
Determining the lower, upper and lateral limits of the illuminating surface of the lamp device.  
 According to European DIRECTIVE 91/663/EEC, Annex I  
 "Installation of lightning and light-signalling devices",  
 clause 1.9.2.  
 According to ECE regulation 48/01  
 "Installation of lightning and light-signalling devices",  
 clause 2.9.2.


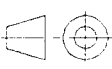


Function	upper limit (U) mm	lower limit (L) mm	outer limit (O) mm	inner limit (I) mm
Direction indicator category 2a	16	17	41	36
Stop lamp	15	19	49	43
Rear position (side) lamp	9	6	11	10

Belongs drw. no: 013322-00, 013323-00  
 013322-01, 013323-01

test report VTT AUT/PRO418/97



SCALE	—	DRAWN	22.09.1997	NAME	EHa	 OY TALMU AB FINLAND			
ISO-E		EXAM.		GROUP	TUKE				
PART NAME	REAR COMBINATION LAMP 1171 Talmu/Hella						MODE	H	
<b>E 17</b>	ILLUMINATING SURFACE					DRAWING NO	013973-00	ISO-A	4
9401						MCADAM			