

# TIRE CHANGER

## INVERTER TYRE CHANGER

**HP641SD.24 Pro** Mounting head and mounting lever, passenger car, rim diameter 10" - 26,5".

+ Pneumatic 4-claw clamping for rim diameters of 10" - 24" outside clamping or 12" - 26.5" inside clamping

With mounting head and mounting lever

Large chassis dimensions

The enlarged machine body offers more stability and strength during work

Speed adjustable by the operator via foot pedal

Pneumatically tiltable fitting column via foot pedal

Mounting head pneumatically released horizontally and vertically

Pneumatic bead pusher

Filter lubricator with gauge

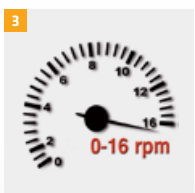
More space at the bead breaker

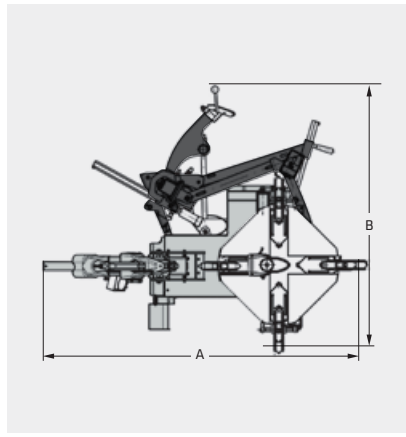
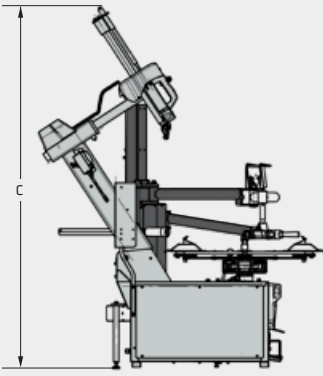
Operation via foot pedal

## HIGHLIGHTS IN DETAIL



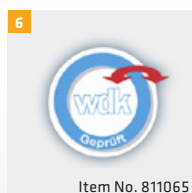
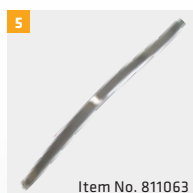
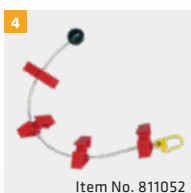
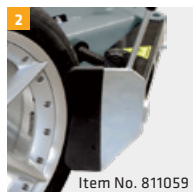
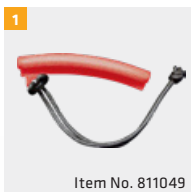
- 1 Double synchronization for perfect load distribution of the clamping forces
- 2 Removable pedal unit for easy maintenance
- 3 Inverter motor with speed limiter to protect the tire from excessive forces (0 - 16 rpm)



**HP641SD.24 Pro**

Model	HP641SD.24 Pro
Clamping range inside	12" - 26,5"
Clamping range outside	10" - 24"
Rim width max.	15"
Wheel diameter max.	1050 mm
Wheel weight max.	80 kg
Tool working span	8" - 24"
Automatic bead-breaking movement	X
Bead-breaking force	3600 kg
Rotation speed	0-16 rpm
Torque max.	1200 Nm
Power inverter motor	1,5 kW
Motor power	0,75 kW
Compressed air supply	8-10 bar
Mains frequency	50/60 Hz
Mains voltage (AC)	180/260 V
Phases	1
Fuse protection	16 A träge
<b>A</b> Length	1556 mm
<b>B</b> Width	1885 mm
<b>C</b> Height	2016 mm
Weight	340 kg
Article number	810186

## SCOPE OF DELIVERY



- 1 Rim flange plastic protection
  - 2 Bead breaker plastic protection
  - 3 Pneumatic bead pusher
  - 4 Magic cord with traction
  - 5 Half moon bead lever
  - 6 WDK certificate
- + Mounting head plastic protection (811096)
  - + Clamping jaw plastic protection (811598)
  - + Tire filler operation via foot pedal (811060)
  - + Additional compartment for valves/accessories (811061)
  - + Conical roll for bead pusher (811062)
  - + Bead protection foils (811053)
  - + Bead-breaking limiter for bead breaker (811613)