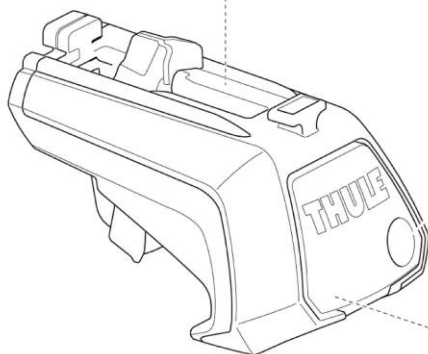


1 TH 54676



2 TH 52985



3 TH 52988



4 Nm