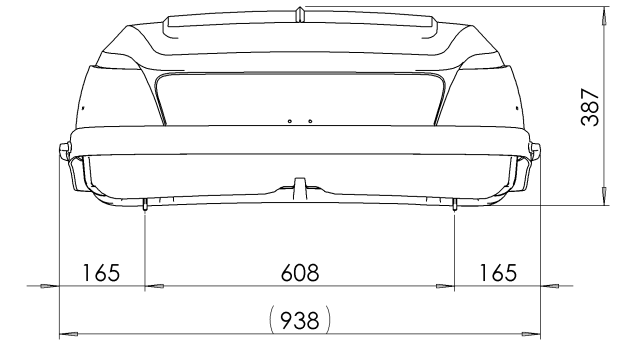
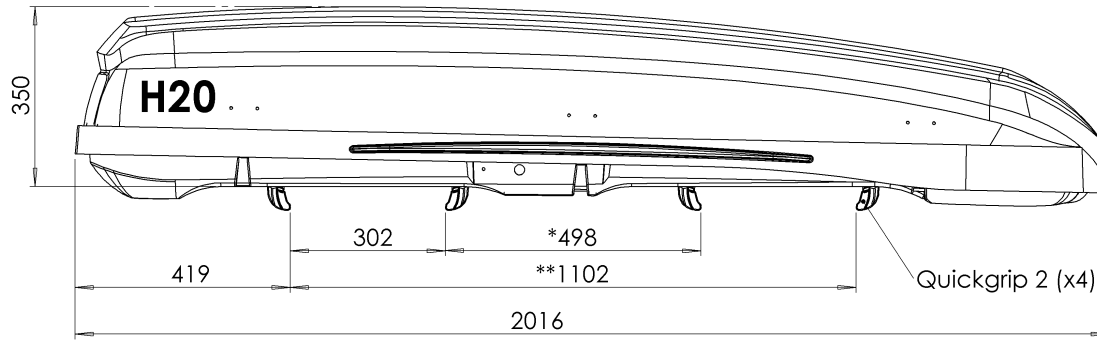


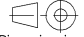

This document may not be copied, altered, or used for any unauthorized purpose. Contamination will be prosecuted.

Den här tekniska ritningen är en del av tekniska lösningen. Den får ej heller delges annan eller ejera delvisligen användas. Överförälselse förbehålls med stöd av gällande lag.

| REVISIONS | | | |
|-----------|-------------|------|----------|
| REV. | DESCRIPTION | DATE | APPROVED |



Note: * Min distance between roof rails
 ** Max distance between roof rails
 *** Dimensions with Quick Grip 2 if not stated otherwise

| | | | | | | |
|--|-------------------------------|---|---------------|---|--------------------------|----------------|
| Project No | Material | Surface Treatment | | Surface Finish | Mass | Mass Tol. |
| Tolerance | (Where nothing else is given) | Designed ANAH | Approved frka | Created Date 2020-03-30 | Approved Date 2024-01-22 | State Approved |
|  Dimensions in mm | |  | | Description OVERVIEW PLACEMENT FOR ROOF RAILS CALIX ROOF BOXES MY20 | Draw.no 00037538 | Scale 1:10 |
| | | | | | Rev. - | Size A3 |
| | | | | | Sheet 2/8 | |