



04/2019

Wheel Bearing Tool Kits,  
with Hydraulic Cylinder, in a Plastic Storage Case,  
Mercedes Vito/Viano/Sprinter, VW Crafter (Pat.)



KL-0041-50 K  
KL-0041-51 K  
KL-0041-504  
KL-0041-505

EN

[www.gedore-automotive.com](http://www.gedore-automotive.com)

#### GEDORE Automotive GmbH

Breslauer Straße 41  
78166 - Donaueschingen  
Postfach 1329  
78154 Donaueschingen - GERMANY

T +49 (0) 771 / 8 32 23-0  
F +49 (0) 771 / 8 32 23-90  
info.gam@gedore.com  
www.gedore-automotive.com

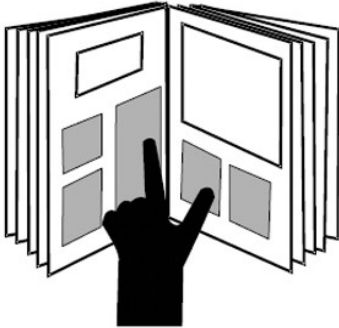
#### GEDORE TOOLS, INC.

Only for USA, Canada & Mexico  
Sólo para EE.UU., Canadá y México  
Seulement pour les USA, le Canada et le Mexique

7187 Bryhawke Circle, Suite 700  
North Charleston, SC 29418, USA  
Phone +1-843 / 225 50 15  
Fax +1-843 / 225 50 20  
info@gedorettools.com

#### GEDORE WELTWEIT / GEDORE WORLDWIDE

Weltweite GEDORE Servicestellen / Niederlassungen finden Sie im Internet unter: [www.gedore.com](http://www.gedore.com)  
Worldwide GEDORE service centers / offices are listed on the Internet at: [www.gedore.com](http://www.gedore.com)



English



3 - 19

**Impressum**

Im Zuge der Verbesserung und Anpassung an den Stand der Technik behalten wir uns Änderungen im Hinblick auf Aussehen, Abmessungen, Gewichte und Eigenschaften sowie Leistungen vor.

Damit ist kein Anspruch auf Korrektur oder Nachlieferung bereits gelieferter Produkte verbunden. Streichungen können jederzeit vorgenommen werden, ohne dass ein rechtlicher Anspruch entsteht.

Alle Hinweise zur Benutzung und Sicherheit sind unverbindlich. Sie ersetzen keinesfalls irgendwelche gesetzlichen oder berufsgenossenschaftlichen Vorschriften.

Für Druckfehler übernehmen wir keine Haftung.

Ein Nachdruck, auch auszugsweise, bedarf der vorherigen schriftlichen Zustimmung durch **GEDORE Automotive GmbH**.

Alle Rechte weltweit vorbehalten.

Wir verweisen auf unsere Allgemeinen Geschäftsbedingungen, ersichtlich im Impressum unter [www.gedore-automotive.com](http://www.gedore-automotive.com).

© Copyright by **GEDORE Automotive GmbH Donaueschingen (GERMANY)**

**Impressum/Legal Notice**

As part of our commitment to continuous product improvement and adaptation to state-of-the art technology, we reserve the right to make modifications to our products with regard to design, dimension, weight, features and performances at any time and without prior notice.

Thus, the right to adjustments or replacement deliveries of goods already delivered is excluded. Cuts and cancellations can be made by us at any time without notice and no legal claims against us may arise or be derived from this.

All indications regarding use and safety are given for information only and without any commitment. In no case do they substitute for legal provisions or the regulations of the Employer's Liability Insurance Association.

Errors and omissions excepted.

Any reproduction, also in extracts, is subject to the prior written consent of **GEDORE Automotive GmbH**.

All rights reserved.

We refer to our General Terms and Conditions of Sale under 'Imprint' at [www.gedore-automotive.com](http://www.gedore-automotive.com).

© Copyright by **GEDORE Automotive GmbH Donaueschingen (GERMANY)**

**Impressum/Mentions légales**

En raison des améliorations continues que nous apportons à nos produits et pour assurer leur adaptation constante à l'évolution des techniques, nous nous réservons le droit de procéder à des modifications de nos produits quant à l'apparence, aux dimensions, aux poids, aux caractéristiques et aux performances à tout moment sans préavis et sans obligation de modifier ou de remplacer des produits précédemment livrés.

Des suppressions peuvent être effectuées à tout moment et sans préavis sans qu'elles puissent donner lieu à réclamation.

Toutes les instructions d'utilisation et conseils de sécurité sont donnés sans engagement de notre part. Ils ne se substituent en aucun cas aux réglementations légales en vigueur ou à celles émises par les associations professionnelles.

Le plus grand soin possible a été apporté à la rédaction de ce document. Toutefois, nous n'assumons aucune responsabilité pour des erreurs, omissions ou défauts d'impression éventuels.

Une reproduction, même en partie, ne peut être effectuée qu'après autorisation écrite préalable de **GEDORE Automotive GmbH**.

Tous droits réservés.

Vous trouverez nos conditions générales de vente, sous Impressum/Mentions légales sur [www.gedore-automotive.com](http://www.gedore-automotive.com).

© Copyright by **GEDORE Automotive GmbH Donaueschingen (GERMANY)**

## Table of Contents



	Page
<b>1. Essential Safety Notices .....</b>	<b>4</b>
1.1 Safety Notices and Warnings .....	4
1.2 Personal Protective Equipment .....	4
1.3 Intended Use .....	5
1.4 Safe and Proper Use .....	5
1.5 Work Environment.....	5
1.6 Appropriate Users .....	5
<b>2. Product Description.....</b>	<b>6</b>
<b>3. Preparatory Work.....</b>	<b>7</b>
3.1 Checking the Delivery (See Fig. 1, 2 or 3) .....	7
3.2 Preparing the Vehicle .....	7
3.3 Adjusting the Tool by Changing the Pull/Pressure Plate <i>(Only applies to rear-wheel drive)</i> .....	7
<b>4. Examples of Use .....</b>	<b>8</b>
4.1 Removing/Installing a Wheel Hub Bearing Unit <i>(Rear-wheel drive)</i> .....	8
4.1.1 Removing the Wheel Hub Bearing Unit. <i>(Rear-wheel drive)</i> .....	8
4.1.2 Installing the Wheel Hub Bearing Unit. <i>(Rear-wheel drive)</i> .....	11
4.2 Removing/Installing a Wheel Hub and Wheel Bearing. <i>(All-Wheel Drive)</i> .....	13
4.2.1 Removing the Wheel Hub. <i>(All-Wheel Drive)</i> .....	13
4.2.2 Removing the Wheel Bearing <i>(All-Wheel Drive)</i> .....	15
4.2.3 Installing the Wheel Bearing. <i>(All-Wheel Drive)</i> .....	16
4.2.4 Installing the Wheel Hub. <i>(All-Wheel Drive)</i> .....	17
<b>5. Care and Storage .....</b>	<b>18</b>
<b>6. Accessoires .....</b>	<b>18</b>
<b>7. Maintenance and Repair by the GEDORE Automotive Service Centre.....</b>	<b>18</b>
<b>8. Spare Parts List.....</b>	<b>19</b>
<b>9. Environmentally Safe Disposal.....</b>	<b>19</b>

## 1. Essential Safety Notices

- ⚠** Before using the wheel bearing tool, it is imperative that you read and understand the Instruction Manual. Misuse can lead to **SERIOUS INJURIES** and even **DEATH**. This Instruction Manual is part of the wheel bearing tool. Keep the Instruction Manual in a safe place for further reference and pass it on to subsequent users of the wheel bearing tool. All specific vehicle data stated herein are supplied under reserve and without commitment.

### 1.1 Safety Notices and Warnings

For better differentiation, the warning notices in this instruction manual are classified as follows:

Warning sign	Sign reads	Signification
	<b>DANGER</b>	Indicates a hazardous situation which, if not avoided, may result in <b>serious or fatal injuries</b> .
	<b>CAUTION</b>	Indicates a hazardous situation which, if not avoided, may result in <b>moderate or minor injuries</b> .
	<b>ATTENTION</b>	Indicates a situation which, if not avoided, may result in possible damage to the wheel bearing tool or its functioning, or to objects in its vicinity.

#### **⚠ DANGER**

When removing and installing wheel hub bearing units, there is a risk of the tool breaking and falling to pieces. This will lead to parts becoming projectiles.

- Observe and do not exceed the maximum load capacity of the tool.
- Use hydraulic pump with pressure gauge **KL-0040-2529**.
- Only use the original spare parts from **GEDORE Automotive**.
- Always keep all parts of your body away from the axial extension of the tool.

#### **⚠ CAUTION**

A falling tool can cause injuries.

- Always wear safety shoes/boots.

#### **ATTENTION**

Risk of damage to vehicle and tool.

- Lubricate spindles with molybdenum disulphide paste **KL-0014-0030** (accessory).
- Any work on vehicles should only be performed by qualified specialist personnel observing and complying with the directions, provisions, and safety regulations specified by the vehicle manufacturer!
- Always refer to the vehicle manufacturer's data and instructions as only these apply to all work that is carried out on the vehicle.

### 1.2 Personal Protective Equipment

**ALWAYS** wear personal protective equipment when using the wheel bearing tool. The wheel bearing tool can cause mechanical hazards leading to injuries such as contusions, cuts or concussions.



**EYE PROTECTION** (see OSHA 29 CFR 1910.133 and ANSI Z87) designed to protect you from flying debris/objects must be worn when using the wheel bearing tool.

- Particles may be ejected at high speed while working with the wheel bearing tool and could cause serious injuries to your eyes.



**SAFETY GLOVES** must be worn when using the wheel bearing tool.

- Working with the wheel bearing tool can cause skin abrasions and contusions.



**SAFETY SHOES/BOOTS** with slip resistant soles and steel-toe caps (see OSHA 29 CFR 1910.136 and ANSI 241) must be worn when using the wheel bearing tool.

- Falling parts can cause serious injuries to feet and toes.

### 1.3 Intended Use

**⚠** The **KL-0041-51 K** wheel bearing tool kit is only designed for the removal/installation of the wheel hub bearing units that are found at the front axle of Mercedes Vito/Viano/Sprinter and VW Crafter vehicles **with rear-wheel drive**.

**Note:** For the removal/installation of wheel hubs and wheel bearings from/to the front axle of Mercedes Vito/Viano/Sprinter and VW Crafter vehicles **with all-wheel drive**, the respective **upgrade kits** are needed in addition.

The wheel bearing tool may only be used in the manner as described in this Instruction Manual.

- Any other use can result in serious injuries or even death.

### 1.4 Safe and Proper Use

Take the following safety precautions to prevent injuries and damage that could be caused by improper handling or unsafe use of the wheel bearing tool.

**⚠** Misuse can result in extremely severe injuries or even death.

- NEVER overload the wheel bearing tool.
- ALWAYS check the wheel bearing tool prior to EACH use in order to ensure that it is in good order and condition.
- ALWAYS replace all damaged or worn parts prior to using the wheel bearing tool.
- ONLY use the original spare parts and accessories from GEDORE Automotive on the wheel bearing tool.

### 1.5 Work Environment

For safety reasons, work with the wheel bearing tool should only be carried out in a safe work environment.

- The workplace should always be clean and tidy.
- The workplace should be sufficiently large and must be secured.

### 1.6 Appropriate Users

This Instruction Manual is designed for technicians/mechanics in workshops.

DO NOT allow children to use the wheel bearing tool.

Purchasers/employers purchasing the wheel bearing tool **MUST** ensure that any person/employee using the wheel bearing tool have read and understood this Instruction Manual prior to using the tool. This Instruction Manual **MUST** be made available to the users of the wheel bearing tool for reference at all times.

Fig. 1: KL-0041-51 K

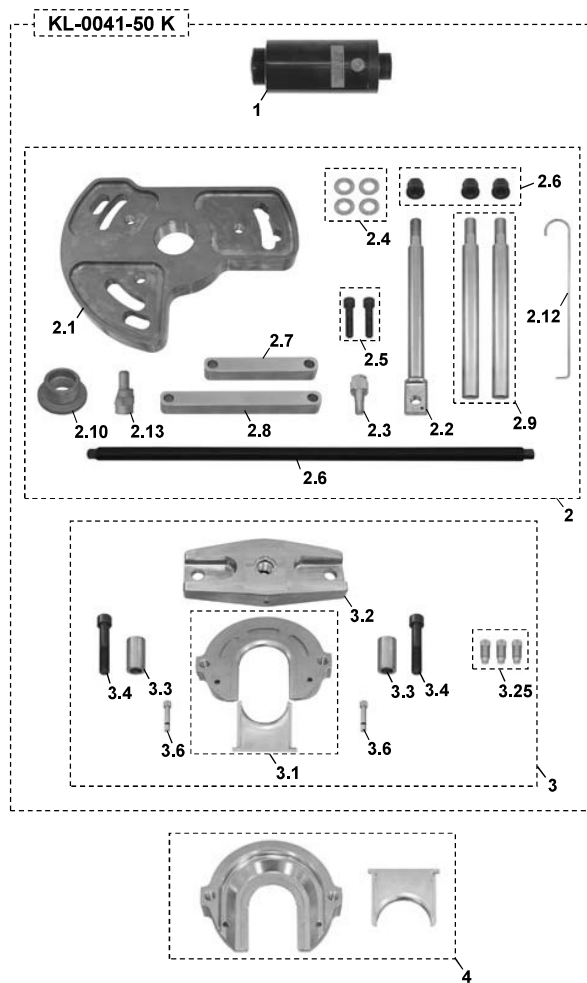


Fig. 2: KL-0041-504 Upgrade Kit (Accessory)

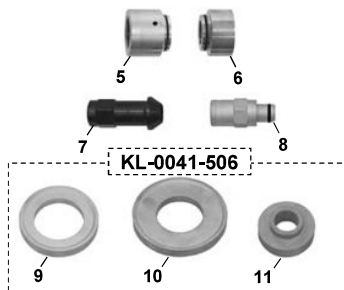
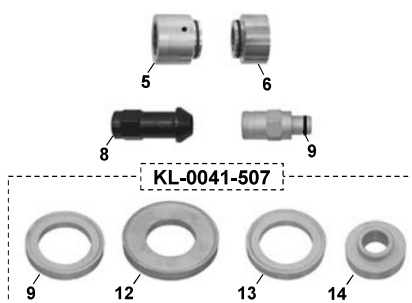


Fig. 3: KL-0041-505 Upgrade Kit (Accessory)



## 2. Product Description

### 2.1 KL-0041-51 K Wheel Bearing Tool Kit, with 17t Hydraulic Cylinder, in a Plastic Storage Case, Mercedes Vito / Viano / Sprinter / VW Crafter

Designed for the front axle of Mercedes Vito/Viano (W639), Sprinter (906), and VW Crafter (2E/2F) vehicles with rear-wheel drive.

This tool allows the removal and installation of wheel hub bearing units on the specified front axles to be performed without the need for removing the steering knuckle from the vehicle.

#### Note:

The KL-0041-50 K is similar to KL-0041-51 K, however not applicable to Mercedes Vito/Viano vehicles.

For the removal/installation of wheel hubs and wheel bearings from/to the front axle of Mercedes Vito/Viano/Sprinter and VW Crafter vehicles with all-wheel drive, the respective upgrade kits are needed in addition.

Pos.	Part No.	Description
-	KL-0041-51 K	Wheel Bearing Tool Kit with 17t Hydraulic Cylinder, Mercedes Vito/Viano/Sprinter and VW Crafter
<i>composed of:</i>		
-	KL-0041-50 K	Wheel Bearing Tool Kit with 17t Hydraulic Cylinder, Mercedes Sprinter and VW Crafter
4	KL-0041-5030	Pull/pressure plate with closing plate, for bearing with 92mm Ø

Pos.	Part No.	Description
-	KL-0041-50 K	Wheel Bearing Tool Kit with 17t Hydraulic Cylinder, Mercedes Vito/Viano/Sprinter and VW Crafter
<i>composed of:</i>		
1	KL-0040-2500	Hydraulic Cylinder
2	KL-0041-501	Base Tool
2.1	KL-0041-5001	Base Plate
2.2	KL-0041-5002	Supporting Rod with Transverse Bore
2.3	KL-0041-5003	Screw with Cone, M16x1.5x80
2.4	KL-0041-5004	Washer, Ø 19mm (4 units)
2.5	KL-0041-5005	Hexagon Socket Screw, M14x70 (2 units)
2.6	KL-0041-5006	Shoulder Nut, M18 (3 units)
2.7	KL-0041-5007	Reinforcing Rail, 140mm
2.8	KL-0041-5008	Reinforcing Rail, 275mm
2.9	KL-0041-5009	Supporting Rod, 275mm (2 units)
2.10	KL-0041-5010	Adaptor, 2 1/2"-14 UNS to M42x2
2.11	KL-0041-5011	Pull/Pressure Spindle, M20x590
2.12	KL-0041-5012	Steering Knuckle Mounting Bracket
2.13	KL-0041-5013	Pressure Nut with Pilot Pin
3	KL-0041-502	Pull/Pressure Plate Kit with Bridge, for Bearing Ø 96mm, Mercedes Sprinter/VW Crafter
3.1	KL-0041-5020	Pull/Pressure Plate with Closing Plate, for Bearing Ø 96mm
3.2	KL-0041-5021	Bridge with Thread Insert
3.3	KL-0041-5022	Spacer Sleeve, Ø 27x50mm (2 units)
3.4	KL-0041-5023	Hexagon Socket Screw, M16x90 (2 units)
3.5	KL-0041-5024	Knurled Screw, M14x1.5 (3 units)
3.6	KL-0041-5025	Retaining Pin with O-Ring (2 units)

### 2.2 KL-0041-504 - Upgrade Kit, (Accessory) Mercedes Sprinter/VW Crafter with All-Wheel Drive

Pos.	Part No.	Description
-	KL-0041-51 K	Upgrade Kit, Mercedes Sprinter/VW Crafter with All-Wheel Drive
<i>composed of:</i>		
5	KL-0039-1003	Retaining Adaptor with O-Rings, for Hydraulic Cylinder
6	KL-0039-1002	Retaining Adaptor with O-Rings, for Clamping Nut (M20) and Pressure Spindle
7	KL-0039-1920-4	Clamping Nut, Ø 38mm
8	KL-0041-5041	Pressure Nut with Pilot Pin
-	KL-0040-506	Small Upgrade Kit, Mercedes Sprinter/ VW Crafter
9	KL-0039-1270	Pressure Ring, Ø 70mm
10	KL-0039-1295	Pressure Ring, Ø 95mm
11	KL-0039-1351	Centring Ring, Ø 51mm

### 2.3 KL-0041-505 Upgrade Kit (Accessory) Mercedes Vito/Viano All-Wheel Drive

Pos.	Part No.	Description
-	KL-0041-51 K	Upgrade Kit (Accessory) Mercedes Vito/Viano All-Wheel Drive
<i>composed of:</i>		
5	KL-0039-1003	Retaining Adaptor with O-Rings, for Hydraulic Cylinder
6	KL-0039-1002	Retaining Adaptor with O-Rings, for Clamping Nut (M20) and Pressure Spindle
7	KL-0039-1920-4	Clamping Nut, Ø 38mm
8	KL-0041-5041	Pressure Nut with Pilot Pin
-	KL-0040-507	Small Upgrade Kit, Mercedes Vito/Viano
9	KL-0039-1270	Pressure Ring, Ø 70mm
12	KL-0039-1291	Pressure Ring, Ø 91mm
13	KL-0039-1274	Pressure Ring, Ø 74mm
14	KL-0039-1350	Centring Ring, Ø 50mm

### 2.4 Technical Data

Maximum load capacity of the tool:..... 17t  
 Maximum load capacity of the hydraulic cylinder:..... 17t

Fig. 4: Wheel bearing diameter

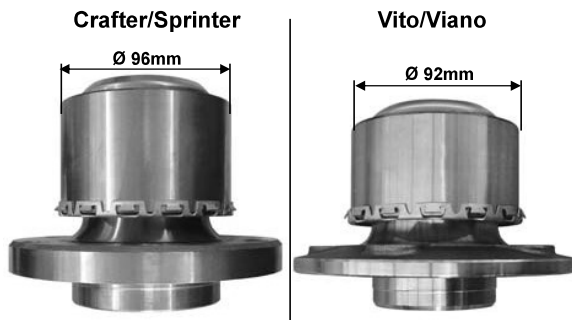


Fig. 5: Loosen hex socket screws on bridge

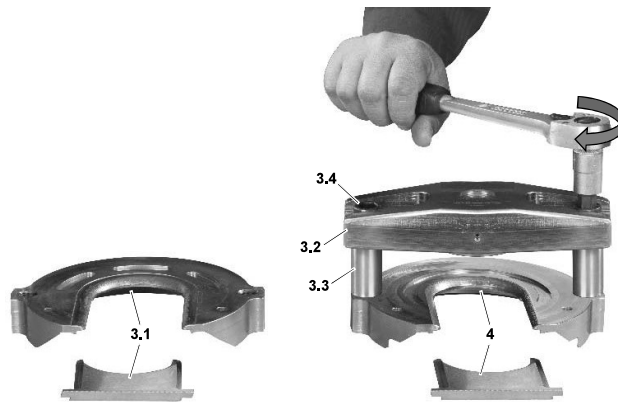


Fig. 6: Position hex socket screws, sleeves and bridge on respective appropriate pull/pressure plate.

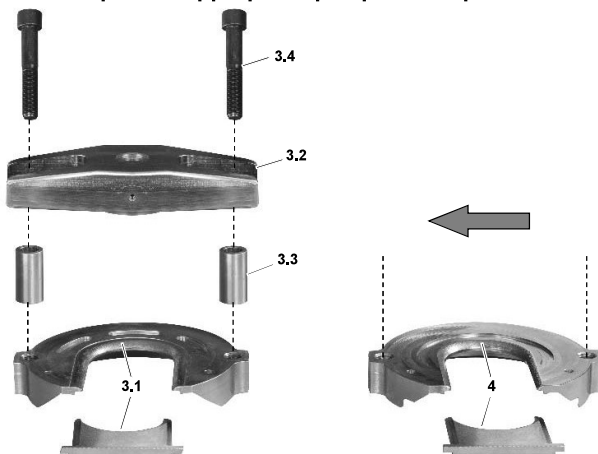
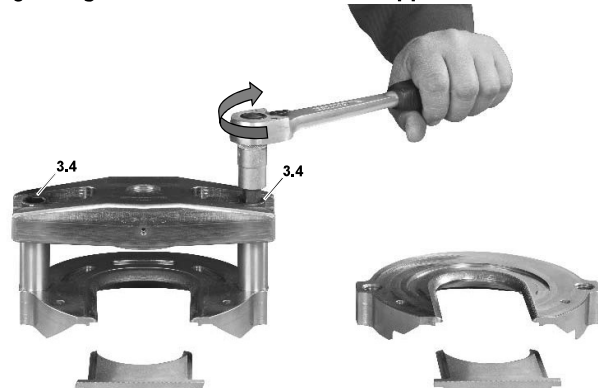


Fig. 7: Tighten hex socket screws to approx. 30 Nm.



## 3. Preparatory Work

Before the first commissioning of the wheel bearing tool kit, check and confirm you have all the parts listed in the scope of delivery. Then, read and follow the mounting instructions.

### 3.1 Checking the Delivery (See Fig. 1, 2 or 3)

### 3.2 Preparing the Vehicle

Loosen and/or remove components/parts as necessary.

### 3.3 Adjusting the Tool by Changing the Pull/Pressure Plate (Only applies to rear-wheel drive)

**Note:** It is important to know that the Mercedes-Benz Sprinter and VW Crafter vehicles feature a larger wheel bearing diameter than the Mercedes-Benz Vito/Viano models. (Fig. 4)

Therefore, it may be necessary to adjust the tool and change the pull/pressure plate with closing plate depending on the type of vehicle to be worked on!

- With Sprinter/Crafter:  $\varnothing 96\text{mm}$  = pull/pressure plate "3.1",
- With Vito / Viano:  $\varnothing 92\text{mm}$  = pull/pressure plate "4",

1. Loosen hex socket screws "3.4" on bridge "3.2". (Fig. 5)

2. To adjust the tool to the respective bearing diameter, remove hex socket screws "3.4", sleeves "3.3" and bridge "3.2" from the inappropriate pull/pressure plate. Then, assemble these with the other pull/pressure plate. (Fig. 6)

3. Tighten hex socket screws "3.4" to approx. 30 Nm. (Fig. 7)

Fig. 8: Position bridge with pull/pressure plate.

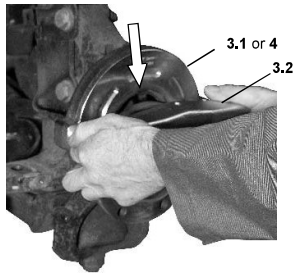


Fig. 9: Insert retaining pins

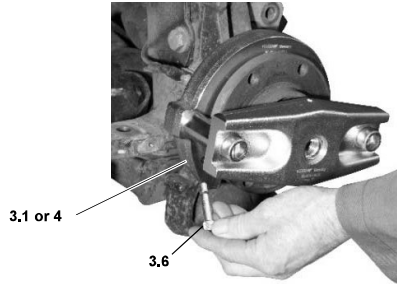


Fig. 10: Secure supporting rods and reinforcing rail.

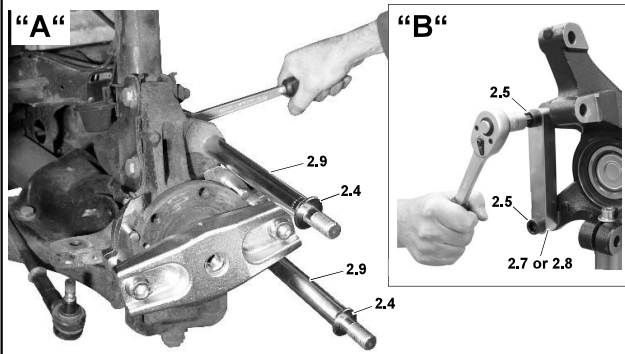


Fig. 11: Mount base plate to supporting rods.

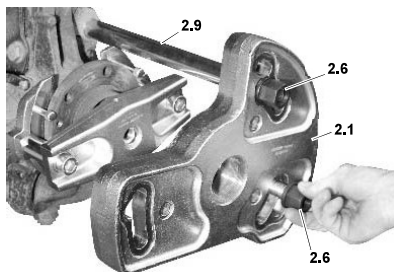
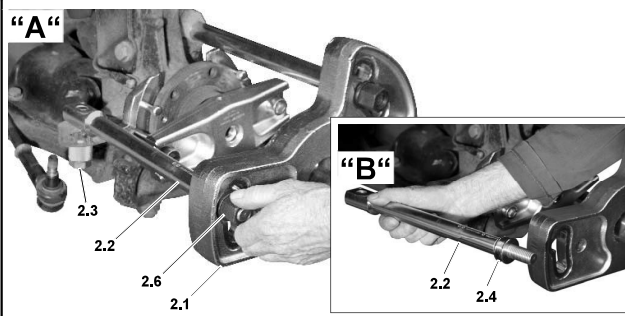


Fig. 12: Secure supporting rod.



## 4. Examples of Use

### 4.1 Removing/Installing a Wheel Hub Bearing Unit (Rear-wheel drive)

The following instructions describe the procedure of removing and installing a wheel hub bearing unit from/to Mercedes Sprinter/Vito/Viano and VW Crafter vehicles with rear-wheel drive).

#### 4.1.1 Removing the Wheel Hub Bearing Unit. (Rear-wheel drive)

1. Insert bridge "3.2" along with appropriate pull/pressure plate "3.1" or "4" behind the wheel hub (between wheel hub and steering knuckle). (Fig. 8)

**Note:** Remember that there are two different wheel bearing diameters. It may therefore be necessary to adjust the tool by changing the pull/pressure plate depending on the type of vehicle to be worked on (see Section 3.3).

#### 2. **CAUTION**

Once the wheel hub bearing unit has been released, there is a risk that it could fall.

- Secure wheel hub bearing unit to prevent it from falling.

Insert retaining pins "3.6" into appropriate pull/pressure plate "3.1" or "4". (Fig. 9)

3. Fasten supporting rods "2.9" to steering knuckle by means of hex socket screws "2.5" and appropriate reinforcing rail "2.7" or "2.8" as shown in Fig. 10 A and Fig. 10 B. Tighten down hex socket screws "2.5" to approx. 25 Nm.

**Note:** The reinforcing rails come in two different lengths. Always be sure to use the correct rail depending on the type of vehicle.

- With Sprinter/Crafter: Use reinforcing rail "2.7" or "2.8".
- With Vito/Viano: Use reinforcing rail "2.7"

4. Slide one washer "2.4" onto each of supporting rods "2.9". (Fig. 10 A).

5. **Note:** When using reinforcing rail "2.7", be sure to place base plate "2.1" with its **small** slotted holes onto supporting rods "2.9". When using reinforcing rail "2.8", be sure to place base plate "2.1" with its **large** slotted holes onto supporting rods "2.9".

Place base plate "2.1" onto the two supporting rods "2.9". Loosely screw one shoulder nut "2.6" onto each of supporting rods "2.9". Do not tighten yet. (Fig. 11)

6. Fitted with either one or two washers "2.4" (depending on vehicle) insert supporting rod with transverse bore "2.2" into base plate "2.1". Next, loosely screw on shoulder nut "2.6" and screw in screw "2.3". (Fig. 12 A) Tighten screw "2.3" to approx. 25 Nm.

**Note:**

- With Sprinter/Crafter, use **two** washers "2.4".
  - With Vito/Viano, use **one** washer "2.4".
- (See Fig. 12 B)



Fig. 13: Tighten down shoulder nuts.

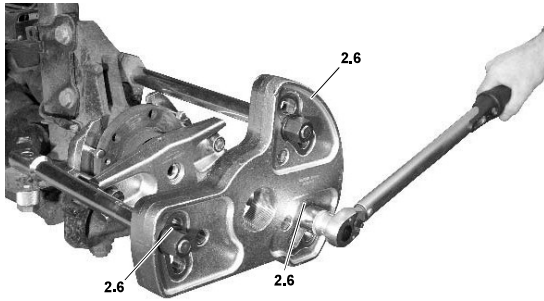


Fig. 14: Mount steering knuckle mounting bracket.

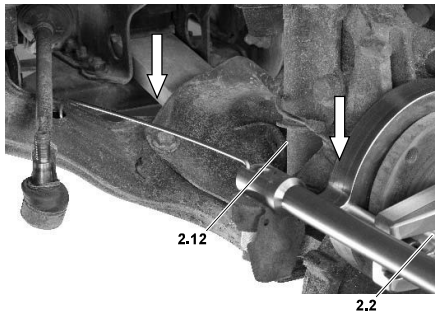


Fig. 15: Prepare hydraulic cylinder.

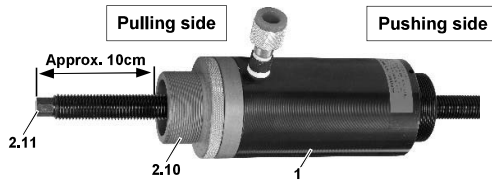


Fig. 16: Screw hydraulic cylinder into base plate.

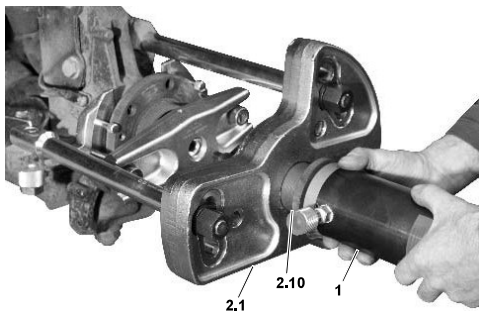
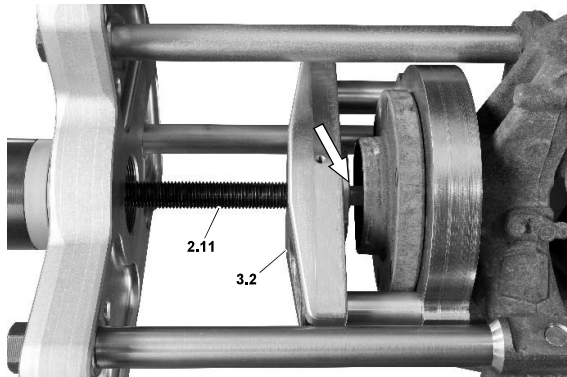


Fig. 17: Screw pull/pressure spindle into bridge.



7. To secure base plate, screw on 3x shoulder nuts “2.6” and tighten down to approx. 25 Nm. (Fig. 13)

8. Mount steering knuckle mounting bracket “2.12” to supporting rod with transverse bore “2.2” and wishbone. (Fig. 14)

9. Screw adaptor “2.10” on pulling side of hydraulic cylinder “1”.  
Screw pull/pressure spindle “2.11” into hydraulic cylinder “1” until the spindle protrudes about 10cm from the hydraulic cylinder pulling side. (Fig. 15)

10. Screw hydraulic cylinder “1” with adaptor “2.10” into base plate “2.1”. (Fig. 16)

### 11. **ATTENTION**

Risk of damage to the tool if the spindle is not fully screwed into the bridge.

- Be sure to screw in pull/pressure spindle “2.11” until its thread protrudes from the reverse side of bridge “3.2”.

Screw pull/pressure spindle “2.11” into bridge “3.2” until spindle thread slightly protrudes from reverse side of bridge “3.2”. (see arrow in Fig. 17)

Fig. 18: Remove wheel hub bearing unit.

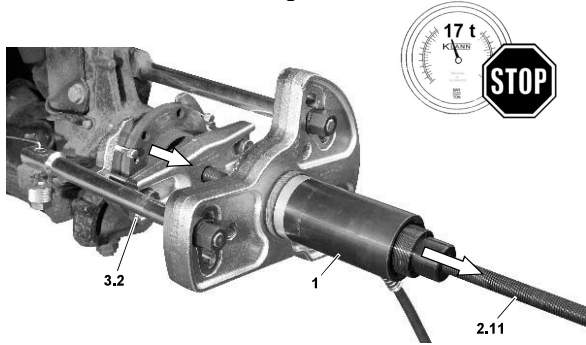


Fig. 19: Remove wheel hub bearing unit and pull/pressure plate assembly.

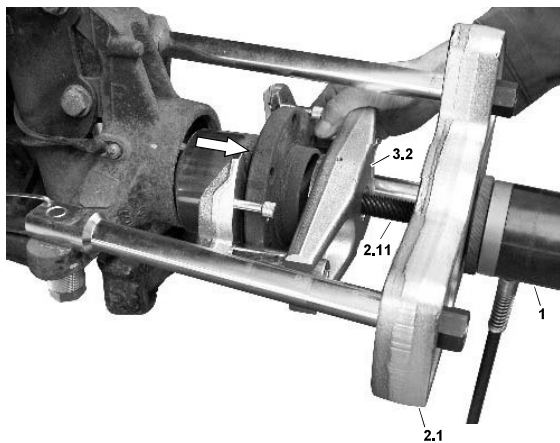


Fig. 20: Remove pull/pressure plate assembly from wheel hub bearing unit.

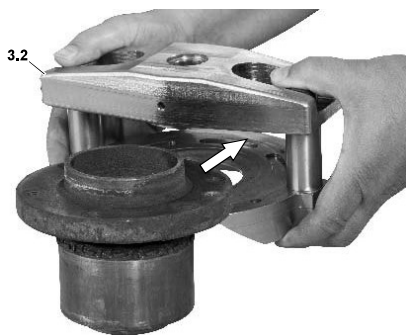


Fig. 21: Clean wheel bearing bore.



12. Connect hydraulic hand pump (accessory) to hydraulic cylinder "1".

### 13. **⚠ DANGER**

When removing the wheel hub bearing unit, there is a risk that the tool could break and fall to pieces. This will lead to parts becoming projectiles.

- Observe and do not exceed the maximum load capacity of the tool.
- Use hydraulic pump with pressure gauge KL-0040-2529.
- Only use the original spare parts from **GEDORE Automotive**.
- Always keep all parts of your body away from the axial extension of the tool.
- During the removal process, the pressure must not exceed 17t, otherwise the complete steering knuckle along with the wheel hub bearing unit will have to be replaced.

Operate hydraulic pump and remove wheel hub bearing unit from steering knuckle. (Fig. 18)

**Note:** Remember that the stroke of hydraulic cylinder "1" is 45mm. As a result, the extraction of the wheel hub bearing unit needs to be carried out in several steps.

As soon as you notice high pressure on the pump lever, interrupt removal process and re-position hydraulic cylinder "1". For this, release pressure on hydraulic pump and unscrew pull/pressure spindle "2.11" until hydraulic cylinder "1" is fully relieved from pressure. Then, re-screw pull/pressure spindle "2.11" into bridge "3.2". (See Fig. 18 and 19)

### 14. **⚠ CAUTION**

There is a risk that the wheel hub bearing unit, bridge "3.2" and pull/pressure plate could fall.

- With one hand, hold wheel hub bearing unit with bridge "3.2" and pull/pressure plate to prevent these from falling.

Unscrew pull/pressure spindle "2.11" from bridge "3.2". Remove wheel hub bearing unit along with bridge "3.2" and pull/pressure plate. (Fig. 19) Next, unscrew hydraulic cylinder "1" from base plate "2.1".

15. Remove bridge "3.2" and pull/pressure plate from dismantled wheel hub bearing unit. (Fig. 20)

16. Remove residues of the snap ring and thoroughly clean the wheel bearing bore in the steering knuckle. (Fig. 21)

Fig. 22: Insert bridge along with pull/pressure plate into new wheel hub bearing unit.

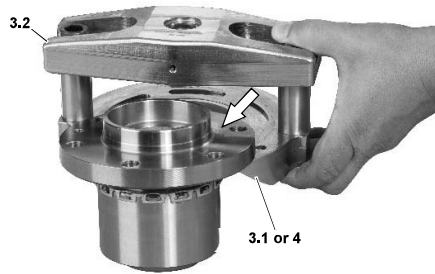


Fig. 23: Insert closing plate.

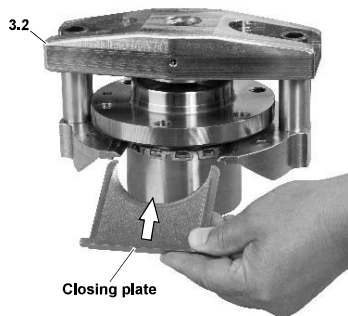


Fig. 24: Screw knurled screws into wheel bolt bore holes.

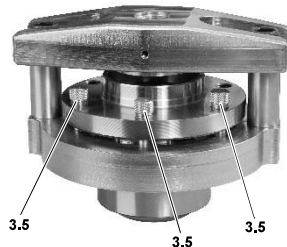
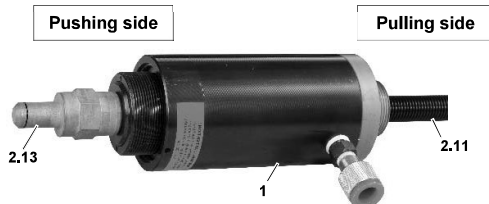


Fig. 25: Insert retaining pins into pull/pressure plate.



Fig. 26: Hydraulic cylinder with pull/pressure spindle and pressure nut.



## 4.1.2 Installing the Wheel Hub Bearing Unit. (Rear-wheel drive)

1. Insert bridge “3.2” along with pull/pressure plate “3.1” or “4” (as appropriate) into new wheel hub bearing unit. (Fig. 22)

### 2. Attention

Risk of damage to pull/pressure plate.

- Make absolutely sure that the closing plate is properly inserted in the pull/pressure plate.

Insert closing plate with its rounded side facing upwards (towards the wheel hub). (Fig. 23)

### 3. Attention

Risk of damage to closing plate.

- Make sure that knurled screws “3.5” do not push against the closing plate of the pull/pressure plate.

Manually screw 3x knurled screws “3.5” into the wheel bolt bore holes of the wheel hub bearing unit. Tighten screws until these engage the respective groove of the pull/pressure plate, thus centring the latter on the wheel hub. (Fig. 24)

### 4. ⚠ CAUTION

There is a risk that bridge “3.2” and pull/pressure could fall.

- Secure bridge “3.2” and pull/pressure plate against falling.

Insert retaining pins “3.6” into pull/pressure plate as far as it goes. (Fig. 25)

5. On the pushing side of hydraulic cylinder “1”, screw pressure nut “2.13” onto pull/pressure spindle “2.11” as shown in Fig. 26.

Fig. 27: Screw hydraulic cylinder into base plate.

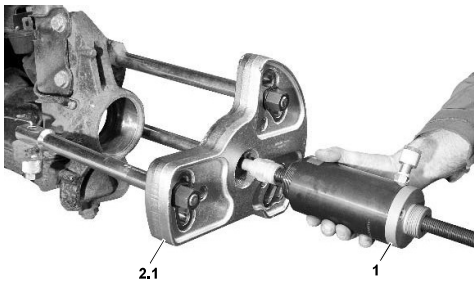


Fig. 28: Apply bridge with pull/pressure plate along with wheel hub bearing unit against steering knuckle.

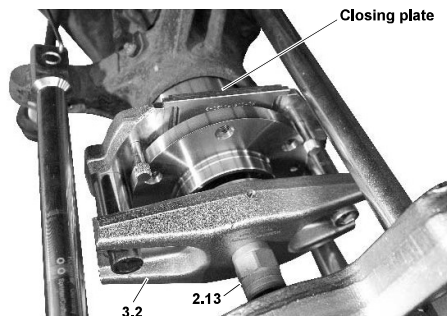


Fig. 29: Install wheel hub bearing unit

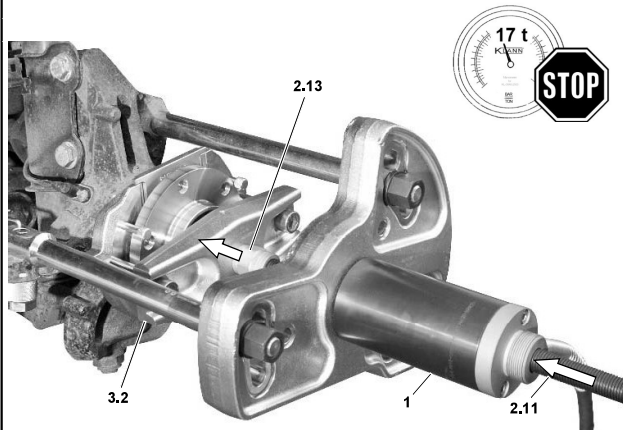
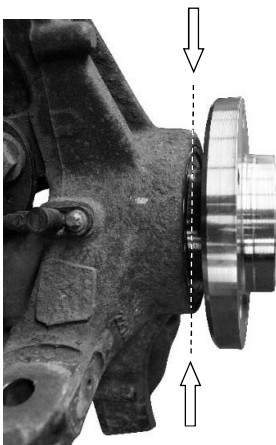


Fig. 30: Snap ring is properly seated in the groove.



6. Screw hydraulic cylinder "1" with its pushing side into base plate "2.1". (Fig. 27)

### 7. Attention

Risk of damage to pull/pressure plate

- The closing plate of the pull/pressure plate must face upwards; otherwise it will fall off the tool.
- Check to make sure that the closing plate is properly seated in the pull/pressure plate. (Fig. 28)

Apply bridge "3.2" along with pull/pressure plate and wheel hub bearing unit against steering knuckle. (Fig. 28)

Screw pull/pressure spindle "2.11" into hydraulic cylinder "1" until pressure nut "2.13" engages bridge "3.2" of the pull/pressure plate. (Fig. 28)

8. Connect hydraulic pump (accessory) to hydraulic cylinder "1".

### 9. **⚠ DANGER**

When installing the wheel hub bearing unit, there is a risk that the tool could break and fall to pieces. This will lead to parts becoming projectiles.

- Observe and do not exceed the maximum load capacity of the tool.
- Use hydraulic pump with pressure gauge KL-0040-2529.
- Only use the original spare parts from **GEDORE Automotive**.
- Always keep all parts of your body away from the axial extension of the tool.

Operate hydraulic pump and install wheel hub bearing unit into steering knuckle. (Fig. 29)

**Note:** Remember that the stroke of hydraulic cylinder "1" is 45mm. As a result, the installation of the wheel hub bearing unit needs to be carried out in several steps.

As soon as you notice high pressure on the pump lever, interrupt installation process and re-position hydraulic cylinder "1". For this, release pressure on hydraulic pump and screw in pull/pressure spindle "2.11" until pressure nut "2.13" rests against bridge "3.2". Continue installation process. (See Fig. 28 and 29)

10. Release pressure from hydraulic pump and dismantle tool.

11. Check to make sure that snap ring is seated properly in the groove. (Fig. 30)

12. Reassemble the vehicle according to the manufacturer's instructions.

Fig. 31: Secure supporting rods with reinforcing rail.

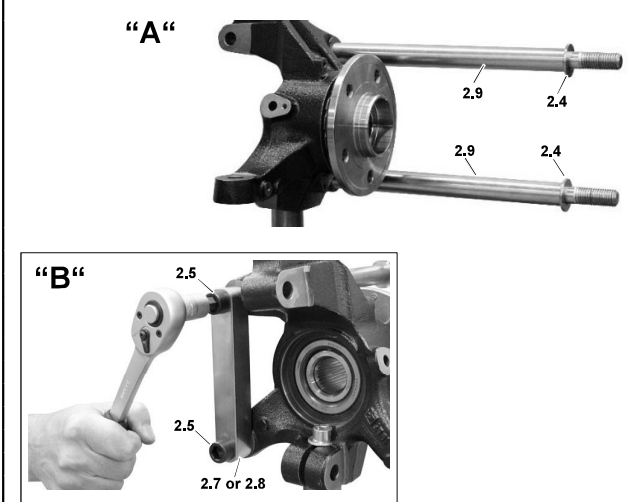


Fig. 32: Mount base plate to supporting rods.

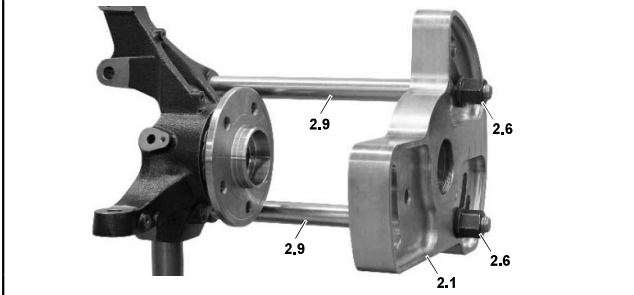


Fig. 33: Secure supporting rod.

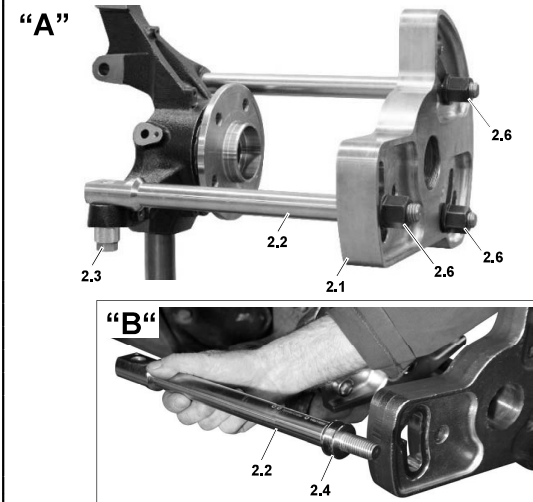
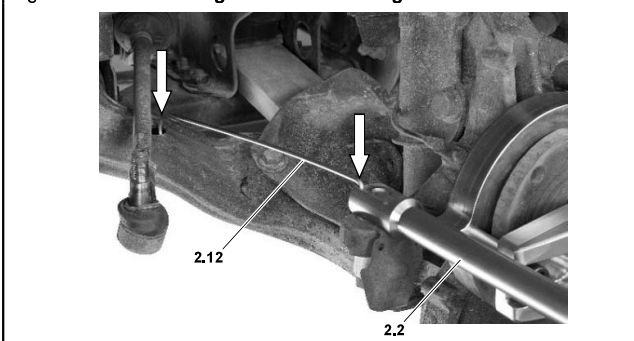


Fig. 34: Mount steering knuckle mounting bracket.



## 4.2 Removing/Installing a Wheel Hub and Wheel Bearing. (All-Wheel Drive)

The following instructions describe the procedure of removing and installing a wheel hub and a wheel bearing from/to Mercedes Sprinter/Vito/Viano and VW Crafter vehicles with all-wheel drive)

**Note:** For this, the respective upgrade kits are needed.

### 4.2.1 Removing the Wheel Hub. (All-Wheel Drive)

1. Fasten supporting rods "2.9" to steering knuckle by means of hex socket screws "2.5" and appropriate reinforcing rail "2.7" or "2.8" as shown in Fig. 31 A and Fig. 31 B. Tighten hex socket screws "2.5" to approx. 25 Nm.

**Note:** The reinforcing rails come in two different lengths. Always be sure to use the correct rail depending on the type of vehicle.

- With Sprinter/Crafter: Use reinforcing rail "2.7" or "2.8".
- With Vito/Viano: Use reinforcing rail "2.7"

2. Slide one washer "2.4" onto each of supporting rods "2.9". (Fig. 31 A).

3. **Note:** When using reinforcing rail "2.7", be sure to place base plate "2.1" with its **small** slotted holes onto supporting rods "2.9".

When using reinforcing rail "2.8", be sure to place base plate "2.1" with its **large** slotted holes onto the supporting rods "2.9".

Place base plate "2.1" onto the two supporting rods "2.9". Loosely screw one shoulder nut "2.6" onto each of the supporting rods "2.9". Do not tighten yet. (Fig. 32)

4. Fitted with washer/s "2.4", swivel supporting rod with transverse bore "2.2" into base plate "2.1" (see Fig 33 B). Next, loosely screw on shoulder nut "2.6" and screw in screw "2.3". (Fig. 33 A)

Tighten screw "2.3" to approx. 25 Nm.

**Note:**

- With Sprinter/Crafter, use **two** washers "2.4".
- With Vito/Viano, use **one** washer "2.4".

(See Fig. 33 B)

5. To secure base plate, screw on 3x shoulder nuts "2.6" and tighten down to approx. 25 Nm. (Fig. 33 A).

6. Mount steering knuckle mounting bracket "2.12" to supporting rod with transverse bore "2.2" and wishbone. (Fig. 34)

Fig. 35: Prepare hydraulic cylinder.

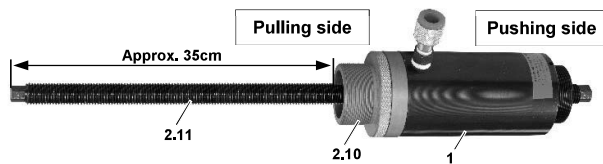


Fig. 36: Screw hydraulic cylinder into base plate. Screw on clamping nut.

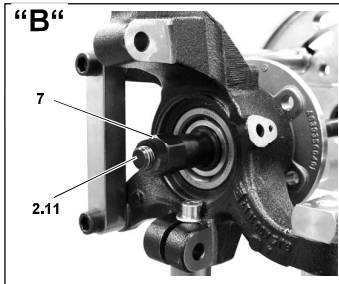
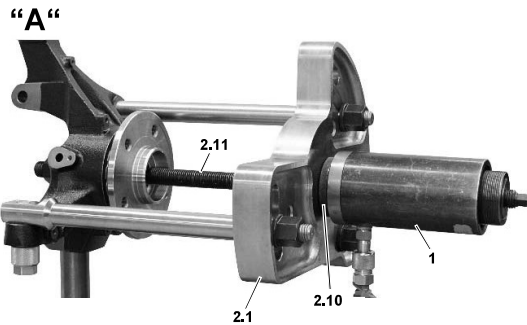


Fig. 37: Remove wheel hub

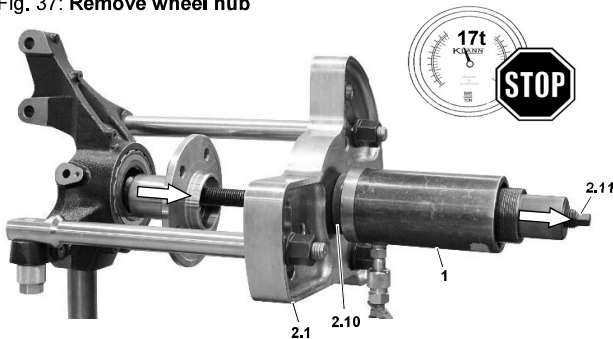


Fig. 38: Pull off inner bearing race, e.g. with the aid of KL-0042-90 K (accessory).



7. Screw adaptor "2.10" onto pulling side of hydraulic cylinder "1".

Screw pull/pressure spindle "2.11" into hydraulic cylinder "1" until the spindle protrudes about 35cm from the hydraulic cylinder pulling side. (Fig. 35)

8. Screw hydraulic cylinder "1" with adaptor "2.10" into base plate "2.1". (Fig. 36 A).

9. Screw clamping nut "7" onto pull/pressure spindle "2.11". (Fig. 36 B)

10. Connect hydraulic pump (accessory) to hydraulic cylinder "1".

### 11. **⚠ DANGER**

When removing the wheel hub, there is a risk that the tool could break and fall to pieces. This will lead to parts becoming projectiles.

- Observe and do not exceed the maximum load capacity of the tool.
- Use hydraulic pump with pressure gauge KL-0040-2529.
- Only use the original spare parts from **GEDORE Automotive**.
- Always keep all parts of your body away from the axial extension of the tool.
- During the removal process, the pressure must not exceed 17t, otherwise the complete steering knuckle along with the wheel hub and wheel bearing will have to be replaced.

Operate hydraulic pump and remove wheel hub from wheel bearing. (Fig. 37)

**Note:** Remember that the stroke of hydraulic cylinder "1" is 45mm. As a result, the removal of the wheel hub needs to be carried out in several steps. As soon as you notice high pressure on the pump lever, interrupt removal process and re-position hydraulic cylinder "1".

For this, release pressure on hydraulic pump. Then, re-adjust pull/pressure spindle "2.11" until clamping nut "7" rests against the wheel hub. (See Fig. 36 B and 37)

12. Remove wheel hub from pull/pressure spindle "2.11". For this, release pressure on hydraulic pump and unscrew hydraulic cylinder "1" and adaptor "2.10" from base plate "2.1". Next, unscrew clamping nut "7" from pull/pressure spindle "2.11" and remove wheel hub. (Fig. 37)

13. If necessary, remove inner bearing race from wheel hub, e.g. with the aid of the KL-0042-90 K puller set (accessory). (Fig. 38)

Fig. 39: Screw hydraulic cylinder into base plate.  
Mount pressure ring and adaptor. Screw on clamping nut.

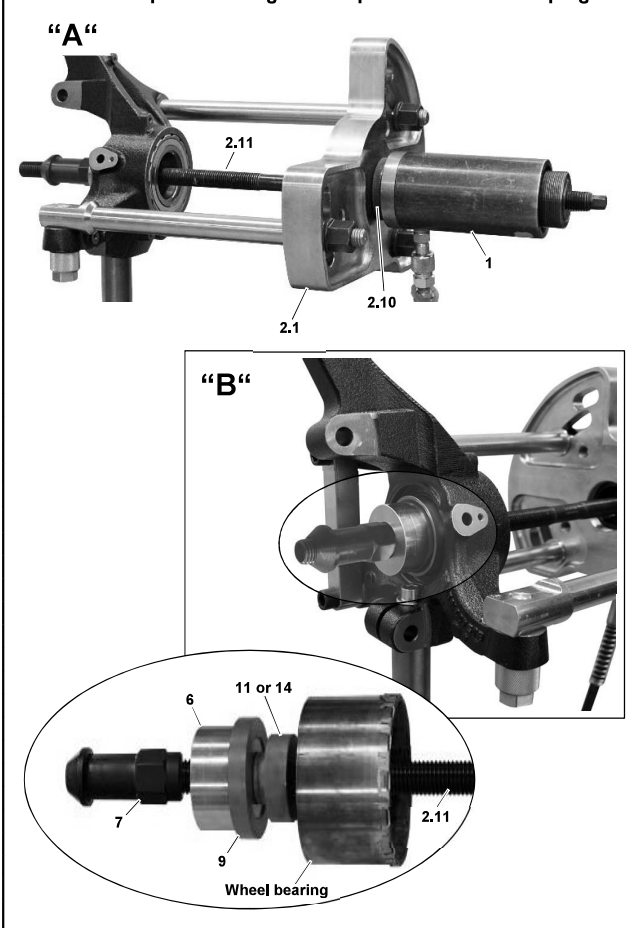


Fig. 40: Remove wheel bearing

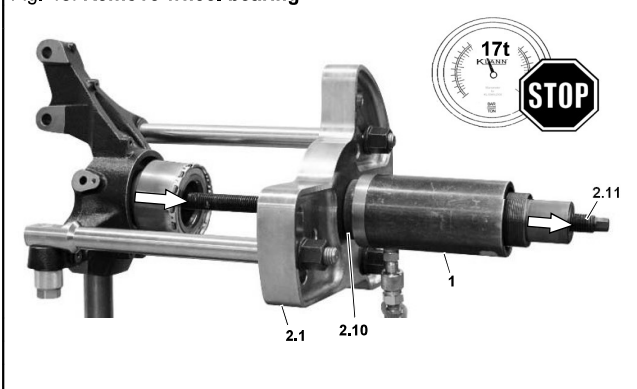


Fig. 41: Clean wheel bearing bore.



## 4.2.2 Removing the Wheel Bearing (*All-Wheel Drive*)

1. Screw hydraulic cylinder "1" with adaptor "2.10" into base plate "2.1". (Fig. 39 A).
2. Slide pressure ring "9" with adaptor "6" and centring ring "11" (or "14" as appropriate) onto pull/pressure spindle "2.11" as shown in Fig 39 B. Next, screw on clamping nut "7".

**Note:**

- With Sprinter/Crafter: Use centring ring "11".
- With Vito/Viano: Use centring ring "14"

3. Connect hydraulic pump to hydraulic cylinder "1".

**4. ⚠ DANGER**

When removing the wheel bearing, there is a risk that the tool could break and fall to pieces. This will lead to parts becoming projectiles.

- Observe and do not exceed the maximum load capacity of the tool.
- Use hydraulic pump with pressure gauge KL-0040-2529.
- Only use the original spare parts from **GEDORE Automotive**.
- Always keep all parts of your body away from the axial extension of the tool.
- During the removal process, the pressure must not exceed 17t, otherwise the complete steering knuckle along with the wheel hub and wheel bearing will have to be replaced.

Operate hydraulic pump and remove wheel bearing from steering knuckle. (Fig. 40)

**Note:** Remember that the stroke of hydraulic cylinder "1" is 45mm. As a result, the removal of the wheel bearing needs to be carried out in several steps. As soon as you notice high pressure on the pump lever, interrupt removal process and re-position hydraulic cylinder "1".

For this, release pressure on hydraulic pump. Then, re-adjust pull/pressure spindle "2.11" until clamping nut "7", pressure ring "9" with adaptor "6" and centring ring "11" or "14" rest against the wheel bearing. (See Fig. 39 B and 40)

5. Remove wheel bearing from pull/pressure spindle "2.11" (Fig. 40). For this, release pressure on hydraulic pump and unscrew hydraulic cylinder "1" and adaptor "2.10" from base plate. Next, unscrew clamping nut "7", pressure ring "9" with adaptor "6" and centring ring "11" or "14" from pull/pressure spindle "2.11". Remove wheel bearing.
6. Remove residues of safety ring and thoroughly clean the wheel bearing bore in the steering knuckle. (Fig. 41)

Fig. 42: Prepare hydraulic cylinder.

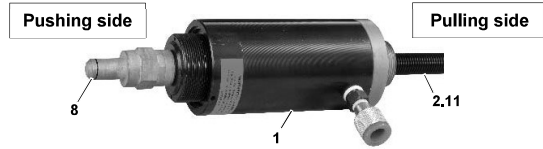


Fig. 43: Screw hydraulic cylinder into base plate.

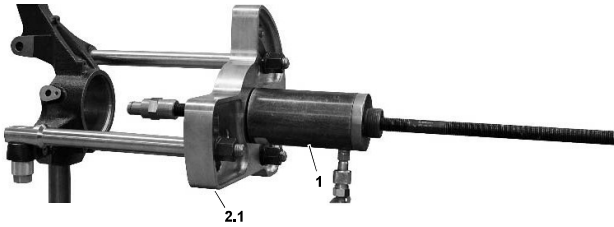


Fig. 44: Mount retaining adaptor, centring ring and pressure ring. Slide wheel bearing onto centring ring.

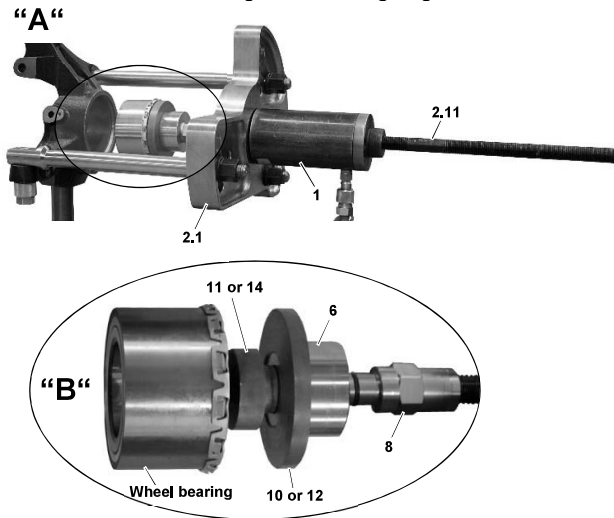


Fig. 45: Install wheel bearing. Safety ring properly engaged.

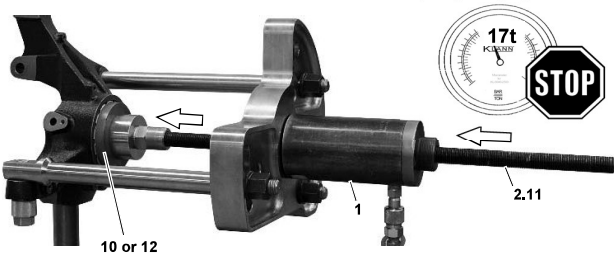


Fig. 46: Safety ring is fully engaged in the groove.



### 4.2.3 Installing the Wheel Bearing. *(All-Wheel Drive)*

1. On the pushing side of hydraulic cylinder "1", screw pressure nut "8" onto pull/pressure spindle "2.11" as shown in Fig. 42.

2. Screw hydraulic cylinder "1" with its pushing side into base plate "2.1". (Fig. 43)

3. Place retaining adaptor "6" with pressure ring "10 or 12" and centring ring "11 or 14" as appropriate onto pressure nut "8". (Fig. 44 B)

**Note:**

- With Sprinter/Crafter: Use pressure ring "10", and centring ring "11".
- With Vito/Viano: Use pressure ring "12", and centring ring "14".

4. Slide new wheel bearing onto centring ring "11 or 14". Screw pull/pressure spindle "2.11" into hydraulic cylinder until wheel bearing rests against steering knuckle. (Fig. 44 A and 44 B)

5. Connect hydraulic pump to hydraulic cylinder "1".

**6. ⚠ DANGER**

When installing the wheel bearing, there is a risk that the tool could break and fall to pieces. This will lead to parts becoming projectiles.

- Observe and do not exceed the maximum load capacity of the tool.
- Use hydraulic pump with pressure gauge KL-0040-2529.
- Only use the original spare parts from **GEDORE Automotive**.
- Always keep all parts of your body away from the axial extension of the tool.

Operate hydraulic pump and install wheel bearing into steering knuckle. (Fig. 45)

**Note:** Remember that the stroke of hydraulic cylinder "1" is 45mm. As a result, the installation of the wheel bearing needs to be carried out in several steps. As soon as you notice high pressure on the pump lever, interrupt installation process and re-position hydraulic cylinder "1".

For this, release pressure on hydraulic pump. Then, re-adjust pull/pressure spindle "2.11" until pressure ring "10 or 12" rests against the wheel bearing. Continue installation process until wheel bearing is properly installed in steering knuckle.

The wheel bearing is correctly installed when its safety ring engages the groove of the steering knuckle and pressure on hydraulic pump increases noticeably. (See Fig. 44 B and 45)

7. Release pressure from hydraulic pump and remove tool from steering knuckle.

8. Check to make sure that safety ring is properly seated in the groove. (Fig. 46)



Fig. 47: Prepare hydraulic cylinder.

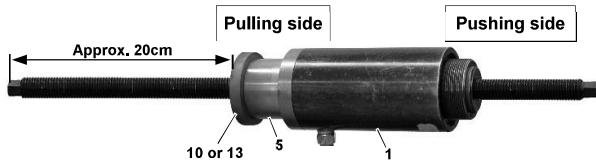


Fig. 48: Slide on wheel hub. Mount pressure ring and retaining adaptor. Screw on clamping nut.

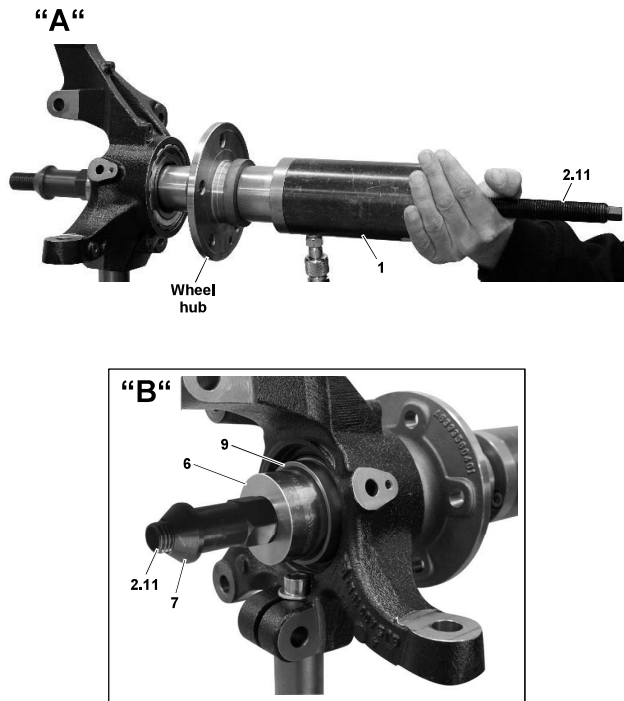


Fig. 49: Install wheel hub.

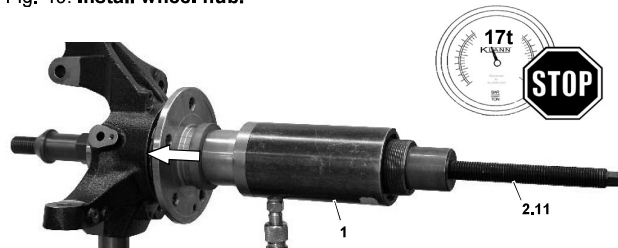
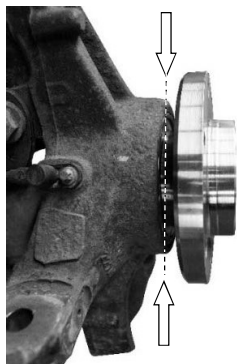


Fig. 50: Wheel hub and wheel bearing installed.



## 4.2.4 Installing the Wheel Hub. *(All-Wheel Drive)*

1. Screw retaining adaptor "5" onto pulling side of hydraulic cylinder "1". Then, slide pressure ring "10 or 13" onto retaining adaptor "5".

Screw pull/pressure spindle "2.11" into hydraulic cylinder "1" until the spindle protrudes about 20cm from the hydraulic cylinder pulling side. (Fig. 47)

**Note:**

- With Sprinter/Crafter: Use pressure ring "10".
- With Vito/Viano: Use pressure ring "13"

2. Slide wheel hub onto pull/pressure spindle "2.11" and insert tool through wheel bearing as shown in Fig. 48 A. Slide pressure ring "9" with adaptor "6" onto pull/pressure spindle "2.11" as shown in Fig 48 B. Next, screw on clamping nut "7".

3. Connect hydraulic pump to hydraulic cylinder "1".

4. **⚠ DANGER**

When installing the wheel hub, there is a risk that the tool could break and fall to pieces. This will lead to parts becoming projectiles.

- Observe and do not exceed the maximum load capacity of the tool.
- Use hydraulic pump with pressure gauge KL-0040-2529.
- Only use the original spare parts from **GEDORE Automotive**.
- Always keep all parts of your body away from the axial extension of the tool.

Operate hydraulic pump and install wheel hub into wheel bearing. (Fig. 49)

**Note:** Remember that the stroke of hydraulic cylinder "1" is 45mm. As a result, the installation of the wheel hub needs to be carried out in several steps. As soon as you notice high pressure on the pump lever, interrupt installation process and re-position hydraulic cylinder "1".

For this, release pressure on hydraulic pump. Then, re-adjust pull/pressure spindle "2.11" until pressure ring "9" rests against the wheel hub. Continue installation process until wheel hub is properly installed in wheel bearing. (See Fig. 48 B and 49)

5. Release pressure from hydraulic pump and remove tool from steering knuckle.

6. Check to make sure that wheel hub is properly installed in wheel bearing. (Fig. 50)

7. Reassemble the vehicle according to the manufacturer's instructions.

Fig. 51: Accessories: KL-0215-35 M25



Fig. 52: KL-0041-504 Upgrade Kit (Accessory)

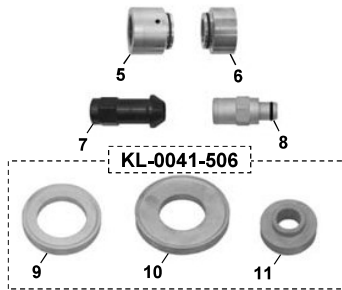
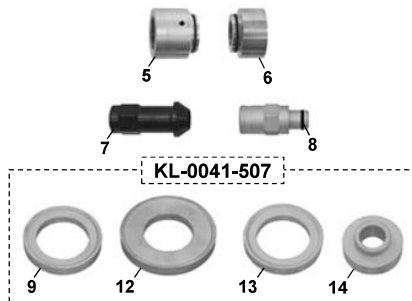


Fig. 53: KL-0041-505 Upgrade Kit (Accessory)



## 5. Care and Storage

**ATTENTION** Petroleum ether and chemical solvents can damage plastic parts. Always clean all parts after their use with a clean cloth only. In order to protect against corrosion, lightly lubricate all metal parts after their use with oil and store them in a clean and dry place.

## 6. Accessoires :

### KL-0215-35 M25 - Hydraulic Hand Pump

The hydraulic hand pump KL-0215-35 M25 is used to operate the KL-0040-2500 hydraulic cylinder.

### KL-0041-504 - Upgrade Kit, Mercedes Sprinter/ VW Crafter with All-Wheel Drive

Designed for the front axle of Mercedes Sprinter (906) and VW Crafter (2E/2F) vehicles with all-wheel drive. The kit allows the removal and installation of wheel bearings and hubs. For this, wheel bearing tool KL-0041-50 or KL-0041-51 K is needed in addition.

Pos.	Part No.	Description	Qty
5	KL-0039-1003	Retaining Adaptor with O-Rings, for Hydraulic Cylinder	1
6	KL-0039-1002	Retaining Adaptor with O-Rings, for Clamping Nut (M20) and Pressure Spindle	1
7	KL-0039-1920-4	Clamping Nut, Ø 38mm	1
8	KL-0041-5041	Pressure Nut with Pilot Pin	1
-	KL-0041-506	Upgrade Kit (Small Kit), Mercedes Sprinter/VW Crafter with All-Wheel Drive	1

### KL-0041-505 - Upgrade Kit, Mercedes Vito/Viano with All-Wheel Drive

Designed for the front axle of Mercedes Vito/Viano (W639) vehicles with all-wheel drive. The kit is designed for the removal and installation of wheel bearings and hubs. For this, the wheel bearing tool KL-0041-50 K or KL-0041-51 K is necessary in addition.

Pos.	Part No.	Description	Qty
5	KL-0039-1003	Retaining Adaptor with O-Rings, for Hydraulic Cylinder	1
6	KL-0039-1002	Retaining Adaptor with O-Rings, for Clamping Nut (M20) and Pressure Spindle	1
7	KL-0039-1920-4	Clamping Nut, Ø 38mm	1
8	KL-0041-5041	Pressure Nut with Pilot Pin	1
-	KL-0041-507	Upgrade Kit (Small Kit), Mercedes-Benz Vito/Viano with All-Wheel Drive	1

### KL-0041-506 - Upgrade Kit (Small Kit), Mercedes-Benz Sprinter/VW Crafter with All-Wheel Drive

Designed for the front axle of Mercedes Sprinter (906) and VW Crafter (2E/2F) vehicles with all-wheel drive. The kit is designed for the removal and installation of wheel bearings and hubs. For this, the wheel bearing tool KL-0041-50 or KL-0041-51 K, retaining adaptor KL-0039-1002, retaining adaptor KL-0039-1003, clamping nut KL-0039-1920-4, and pressure nut KL-0041-5041 are necessary in addition.

Pos.	Part No.	Description	Qty
9	KL-0039-1270	Pressure ring, Ø 70mm	1
10	KL-0039-1295	Pressure Ring, Ø 95mm	1
11	KL-0039-1351	Centring ring, Ø 51mm	1

### KL-0041-507 - Upgrade Kit (Small Kit), Mercedes Vito/Viano with All-Wheel Drive

Designed for the front axle of Mercedes Vito/Viano (W639) vehicles with all-wheel drive. The kit allows for the removal and installation of wheel bearings and hubs. For this, the wheel bearing tool KL-0041-50 K or KL-0041-51 K, retainer adaptor KL-0039-1002, retainer adaptor KL-0039-1003, and pressure nut KL-0041-5041 are necessary in addition.

Pos.	Part No.	Description	Qty
9	KL-0039-1270	Pressure Ring, Ø 70mm	1
12	KL-0039-1291	Pressure Ring, Ø 91mm	1
13	KL-0039-1274	Pressure Ring, Ø 74mm	1
14	KL-0039-1350	Centring Ring, Ø 50mm	1

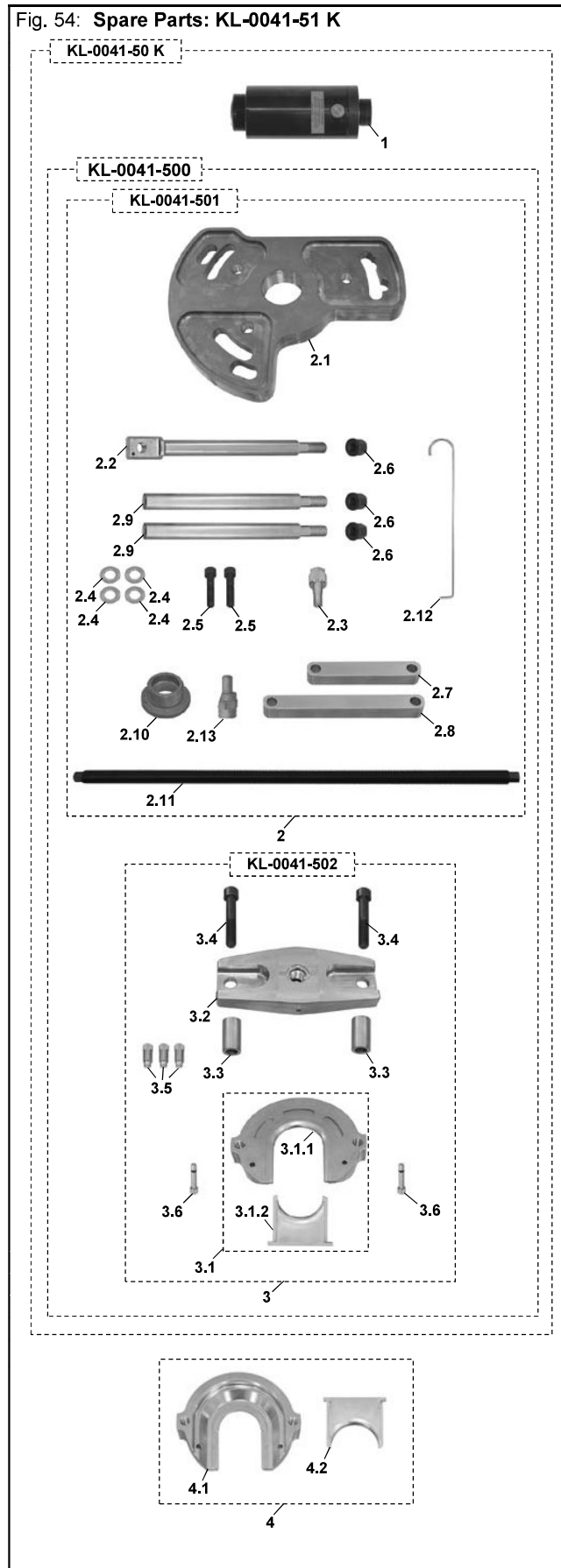
## 7. Maintenance and Repair by the GEDORE Automotive Service Centre.

For safety reasons, as soon as damage is noticed on the wheel bearing tool, immediate steps must be taken to prevent it from being used. For professional inspection and repair of the wheel bearing tool, please contact the GEDORE Automotive Service Centre.

### Address:

GEDORE Automotive GmbH  
Breslauerstraße 41 // 78166 Donaueschingen  
Phone: 0771 83 22 371 / Email: info@gedore-automotive.com  
For additional information concerning the use of our wheel bearing tool, please contact the GEDORE Automotive Service Centre.

Fig. 54: Spare Parts: KL-0041-51 K



## 8. Spare Parts List

Pos.	Part No.	Description	Qty
-	KL-0041-51 K	Wheel Bearing Tool with 17t Hydraulic Cylinder (in a Plastic Storage Case), Mercedes Vito/Viano/Sprinter, VW Crafter	1
<i>composed of:</i>			
-	KL-0041-50 K	Wheel Bearing Tool with Hydraulic Cylinder (in a Plastic Storage Case), Mercedes Sprinter/VW Crafter	1
4	KL-0041-5030	Pull/Pressure Plate Kit, for Bearing Ø 92mm, Mercedes Vito/Viano (W636)	1
Pos.	Part No.	Description	Qty
-	KL-0041-50 K	Wheel Bearing Tool with Hydraulic Cylinder (in a Plastic Storage Case), Mercedes Sprinter/VW Crafter	1
<i>composed of:</i>			
-	KL-0041-50	Wheel Bearing Tool with Hydraulic Cylinder, Mercedes Sprinter/VW Crafter	1
-	KL-0041-5090	Plastic Storage Case (not shown)	1
Pos.	Part No.	Description	Qty
-	KL-0041-50	Wheel Bearing Tool with Hydraulic Cylinder, Mercedes Sprinter/VW Crafter	1
<i>composed of:</i>			
-	KL-0041-500	Wheel Bearing Tool without Hydraulic Cylinder, Mercedes Sprinter/VW Crafter	1
1	KL-0040-2500	Hydraulic Cylinder	1
Pos.	Part No.	Description	Qty
-	KL-0041-500	Wheel Bearing Tool without Hydraulic Cylinder, Mercedes Sprinter/VW Crafter	1
<i>composed of:</i>			
2	KL-0041-501	Base Tool	1
3	KL-0041-502	Pull/Pressure Plate with Bridge, for Bearing Ø 96mm, Mercedes Sprinter/VW Crafter	1
Pos.	Part No.	Description	Qty
2	KL-0041-501	Base Tool	1
<i>composed of:</i>			
2.1	KL-0041-5001	Base Plate	1
2.2	KL-0041-5002	Supporting Rod with Transverse Bore	1
2.3	KL-0041-5003	Screw with Cone, M16x1.5x80	1
2.4	KL-0041-5004	Washer, Ø 19mm	4
2.5	KL-0041-5005	Hexagon Socket Screw, M14x70	2
2.6	KL-0041-5006	Shoulder Nut, M18	3
2.7	KL-0041-5007	Reinforcing Rail, 140mm	1
2.8	KL-0041-5008	Reinforcing Rail, 275mm	1
2.9	KL-0041-5009	Supporting Rod, 275mm	2
2.10	KL-0041-5010	Adaptor, 2 1/4"-14 UNS to M42x2	1
2.11	KL-0041-5011	Pull/Pressure Spindle, M20x590	1
2.12	KL-0041-5012	Steering Knuckle Mounting Bracket	1
2.13	KL-0041-5013	Pressure Nut with Pilot Pin	1
Pos.	Part No.	Description	Qty
3	KL-0041-502	Pull/Pressure Plate with Support, for Bearing-Ø96 mm, Mercedes Sprinter/VW Crafter	1
<i>composed of:</i>			
3.1	KL-0041-5020	Pull/Pressure Plate, for Bearing Ø 96mm	1
3.2	KL-0041-5021	Bridge with Thread Insert	1
3.3	KL-0041-5022	Spacer Sleeve, Ø 27x50mm	2
3.4	KL-0041-5023	Hexagon Socket Screw, M16x90	2
3.5	KL-0041-5024	Knurled Screw, M14x1.5	3
3.6	KL-0041-5025	Retaining Pin with O-Ring	2
Pos.	Part No.	Description	Qty
3.1	KL-0041-5020	Pull/Pressure Plate, for Bearing-Ø96 mm, Mercedes Sprinter/VW Crafter	1
<i>composed of:</i>			
3.1.1	KL-0041-5020-1	Pull/Pressure Plate, for Bearing Ø 96mm	1
3.1.2	KL-0041-5020-2	Closing Plate	1
Pos.	Part No.	Description	Qty
4	KL-0041-5030	Pull/Pressure Plate Kit, for Bearing Ø 92mm, Mercedes Vito/Viano (W636)	1
<i>composed of:</i>			
4.1	KL-0041-5030-1	Pull/Pressure Plate, for Bearing Ø 92mm	1
4.2	KL-0041-5030-2	Closing Plate	1

### KL-0041-50 K Wheel Bearing Tool Kit with Hydraulic Cylinder (Pat.) Mercedes Sprinter/VW Crafter

The KL-0041-50 K is similar to KL-0041-51 K, however not applicable to Mercedes Vito/Viano vehicles.

### KL-0041-510 K Wheel Bearing Tool Kit without 17t Hydraulic Cylinder (Pat.) Mercedes Vito/Viano/Sprinter, VW Crafter

As the KL-0041-51 K, but without the hydraulic cylinder

## 9. Environmentally Safe Disposal

Recycle/dispose of wheel bearing tool and its packaging material in compliance with the legal rules and regulations in force.

## **GEDORE Automotive GmbH**

Breslauer Straße 41  
78166 Donaueschingen  
Postfach 1329  
78154 Donaueschingen - GERMANY

T +49 (0) 771 / 8 32 23-0  
F +49 (0) 771 / 8 32 23-90  
info@gedore-automotive.com  
www.gedore-automotive.com

---

Only for USA, Canada & Mexico  
Sólo para EE.UU., Canadá y México  
Seulement pour les USA,  
le Canada et le Mexique

7187 Bryhawke Circle, Suite 700  
North Charleston, SC 29418  
USA  
Phone +1-843 / 225 50 15  
Fax +1-843 / 225 50 20  
info@gedoretools.com

---

## **GEDORE TOOLS, INC.**

## **GEDORE WELTWEIT GEDORE WORLDWIDE**

Weltweite GEDORE Servicestellen / Niederlassungen  
finden Sie im Internet unter: [www.gedore.com](http://www.gedore.com)

Worldwide GEDORE service centers / offices  
are listed on the Internet at: [www.gedore.com](http://www.gedore.com)