

# 1

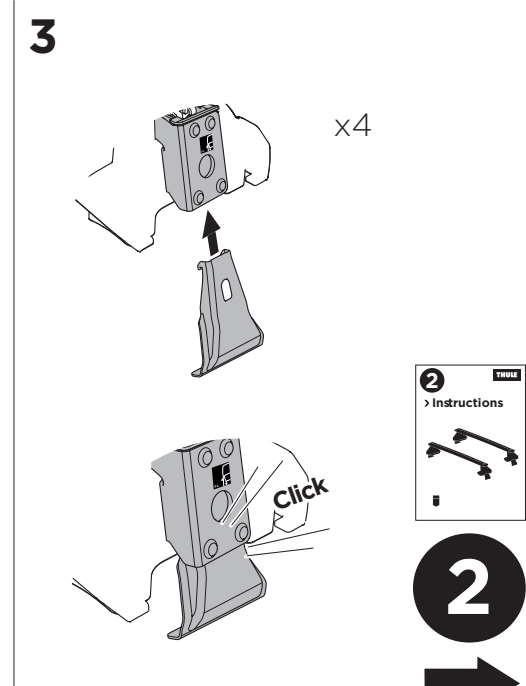
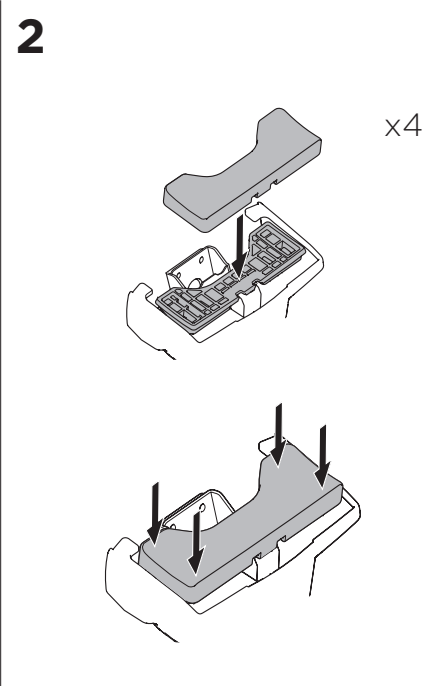
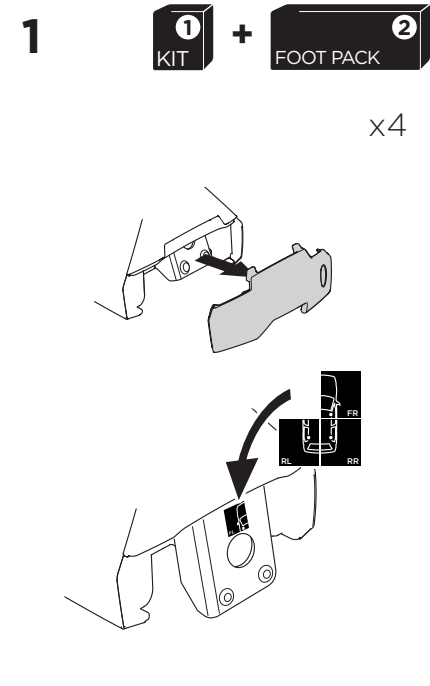
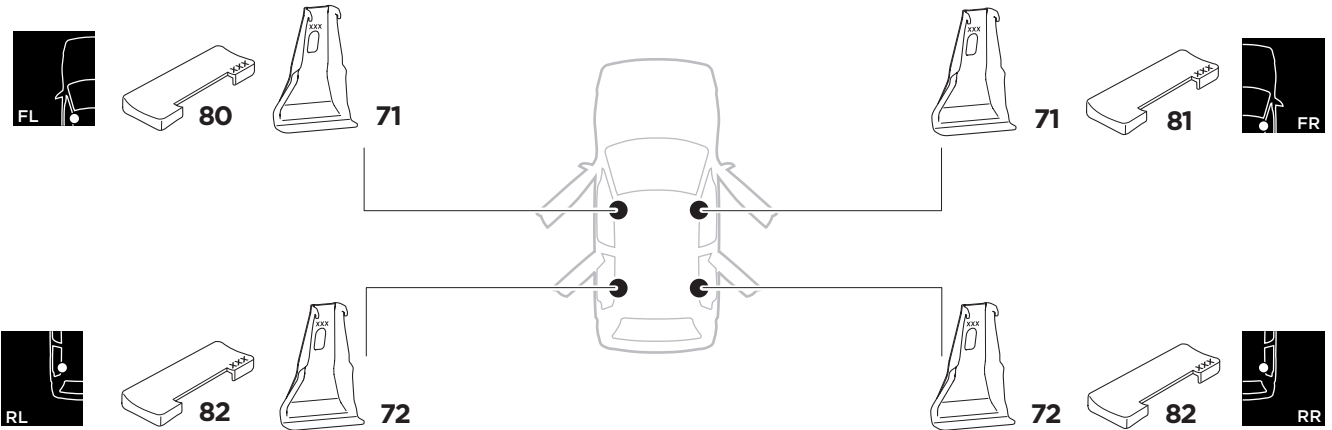
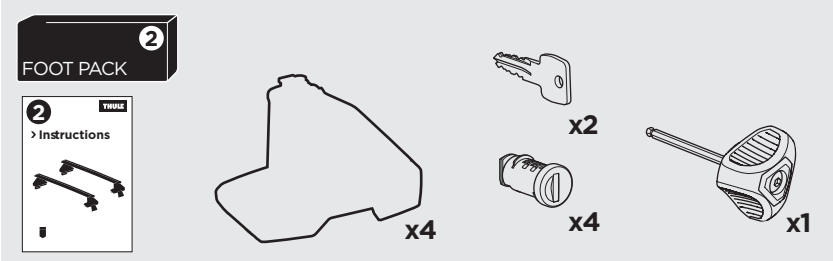
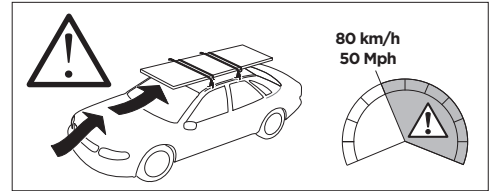
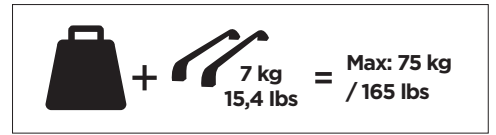
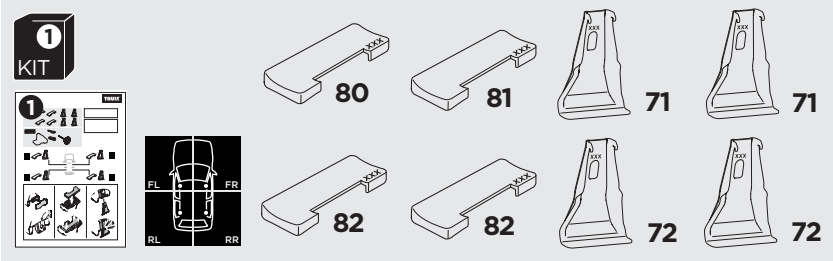
## Kit 5001

TOYOTA Prius, 5-dr Hatchback, 09-15 / \*10-15

\*North America



ISO 11154-E





THULE WingBar Evo	THULE WingBar Edge	THULE WingBar	THULE SquareBar	<b>Evo X (scale)</b>	<b>Edge X (scale)</b>
<b>TOYOTA Prius, 5-dr Hatchback, 09-15 / *10-15</b>				<b>40</b>	<b>Q</b>
THULE ProBar	THULE SlideBar				<b>X (mm/inch)</b>
<b>TOYOTA Prius, 5-dr Hatchback, 09-15 / *10-15</b>				<b>1051 mm / 41 3/8"</b>	



THULE WingBar Evo	THULE WingBar Edge	THULE WingBar	THULE SquareBar	<b>Evo Y (scale)</b>	<b>Edge Y (scale)</b>
<b>TOYOTA Prius, 5-dr Hatchback, 09-15 / *10-15</b>				<b>35,5</b>	<b>H</b>
THULE ProBar	THULE SlideBar				<b>Y (mm/inch)</b>
<b>TOYOTA Prius, 5-dr Hatchback, 09-15 / *10-15</b>				<b>1006 mm / 39 5/8"</b>	

	<b>W (mm/inch)</b>	<b>Z (mm/inch)</b>
<b>TOYOTA Prius, 5-dr Hatchback, 09-15 / *10-15</b>	<b>720 mm / 27 1/2"</b>	<b>250 mm / 9 7/8"</b>

