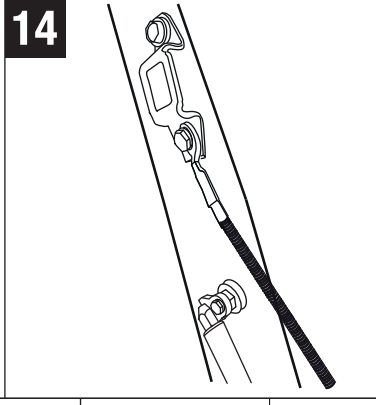
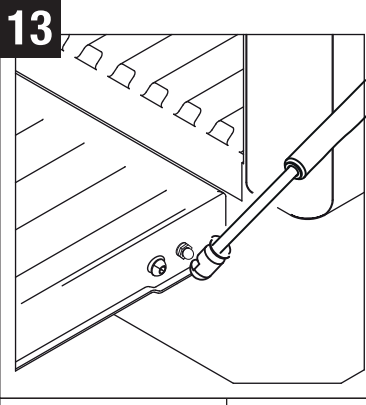
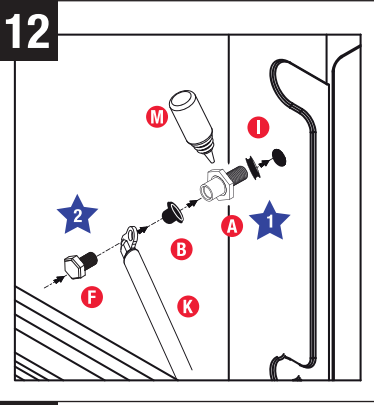
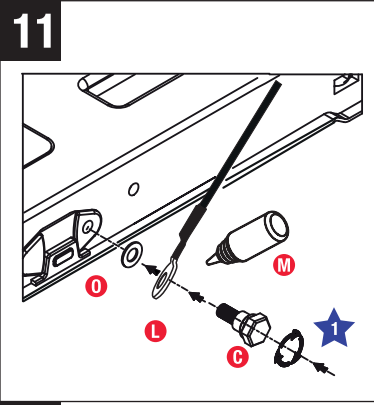
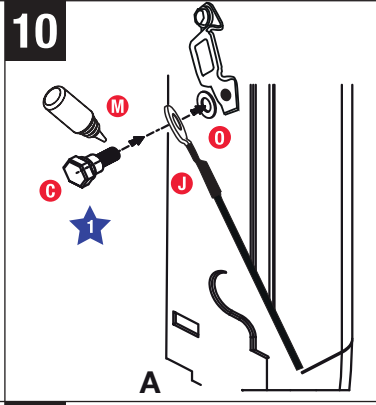
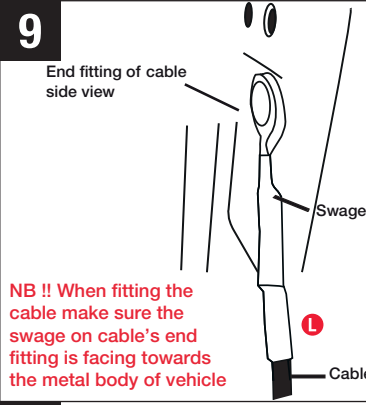
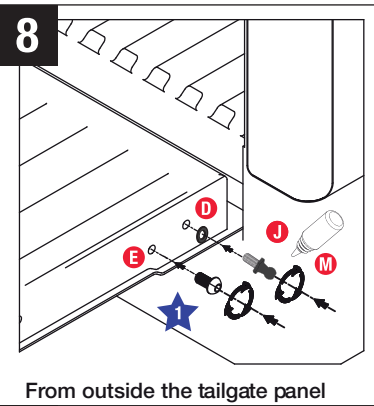
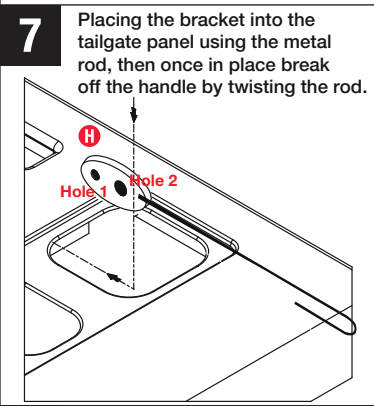
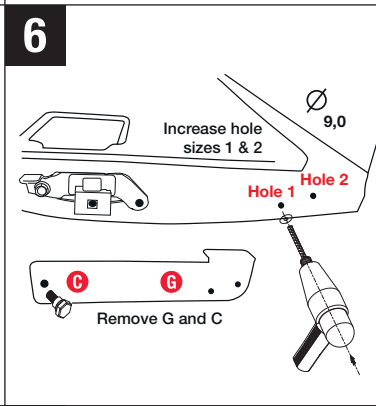
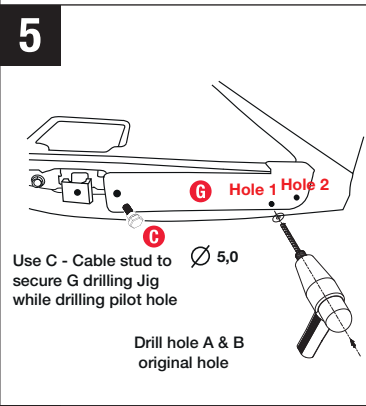
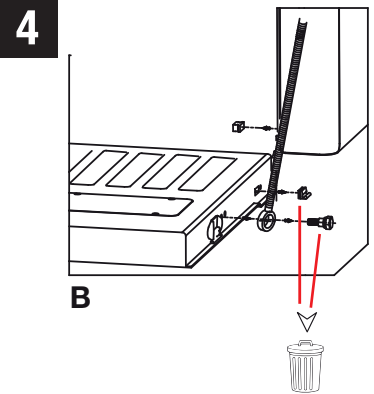
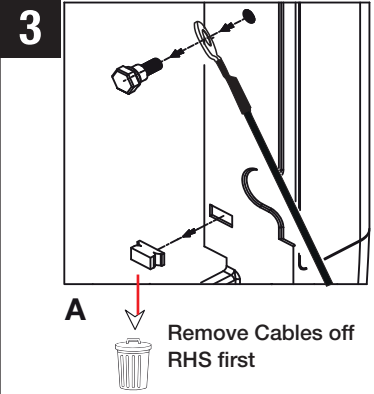
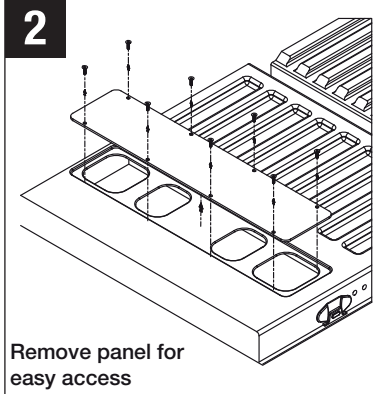


**EZDown Instruction**

**MERCEDES BENZ X CLASS ED0710**

**1**  
RHS and LHS are determined when sitting in the Drivers side of the Vehicle.  
  
Recommended to use rust inhibitor where drilled.  
  
Fit **RHS Kit first** step 2 -14 with RHS Cable.



**15**  
Ensure Cables are taking Tailgate Load and NOT the Damper.

**16**  
Repeat on the LHS of the Vehicle with the LHS Cable repeating steps 3 + 11.

FITTING CODE	MANUFACTURER	MODEL TYPE	YEAR	STOCKIST	PRODUCT	REVISION	LABOUR	DATE	PAGE
ED0710	MERCEDES	X CLASS	2016 onwards	GENERAL USE	EZDOWN	2	20min	20/02/2018	1
TORQUE - N.m		★ 17.5N.m±2.7N.m	★	17.5N.m±2.7N.m		www.ezdown.co.za			

**NB: After installation please close tailgate gently to ensure that there is no interference with any hardware.**

**IMPORTANT:**  
No liability will be incurred by Industrial Specialised Applications company, for injury, death, or property damage caused by a product which has been set up, operated, and/or installed contrary to EZDown installation guide/manual, or which has been subjected to misuse, negligence, or accident, or which has been repaired or altered by anyone other than Industrial Specialised Applications, or which has been used in a manner or for a purpose for which the product was not designed.

