



## WHEEL HUB BEARING UNITS TOOL PROGRAM

Part No.	Product info	Wheel bearing sizes			
		62 mm	66 mm	72 mm	78 mm
K 10347	Wheel hub start set	•	•	•	
K 10348	Dismounting tool set	•			
K 10349	Assembling tool set	•			
K 10350	Dismounting tool set		•		
K 10351	Assembling tool set		•		
K 10352	Dismounting tool set			•	
K 10353	Assembling tool set			•	
K 10354	Dismounting & assembling tool set				•



Wheel hub  
bearing units  
tool set

K 10354

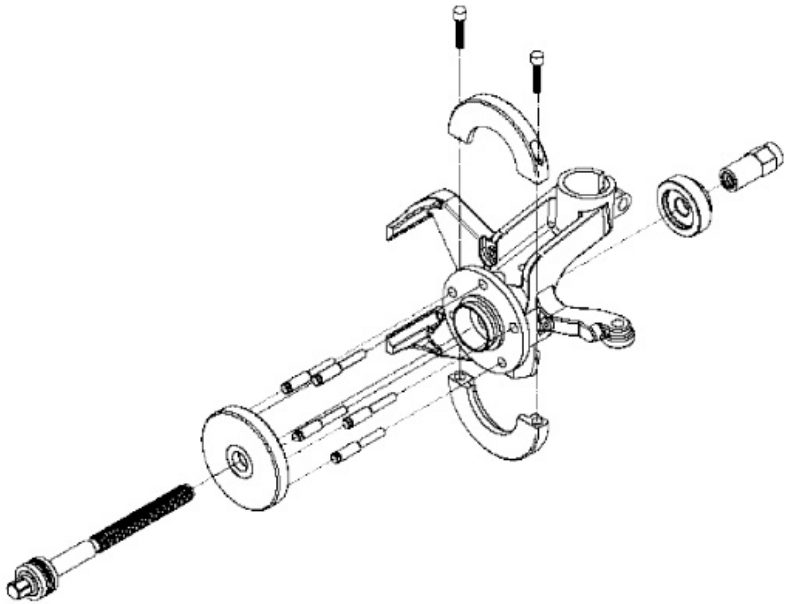
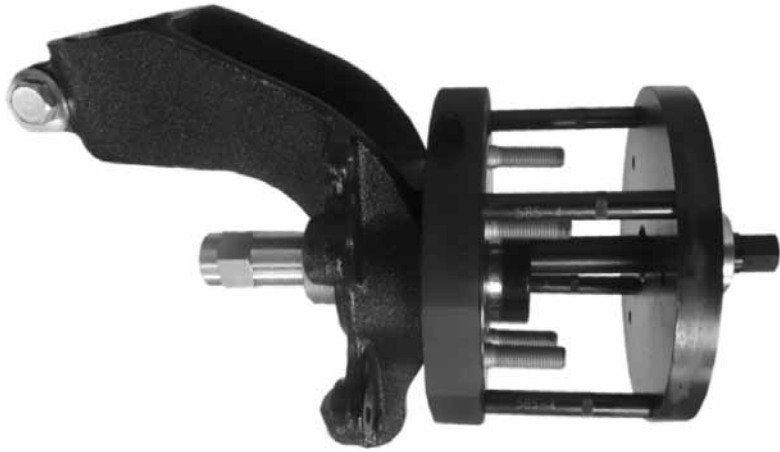


K 10354

[www.kamasatools.com](http://www.kamasatools.com)

26.06-2012

## DISMOUNTING



## ASSEMBLING

