



Vehicle Administration Centre has, on the application of Oy Talmu Ab, located in Salo, by virtue of the Decree on Carrying into Effect the Agreement Concerning the Adoption of Uniform Conditions of Approval and Reciprocal Recognition of Approval for Motor Vehicle Equipment and Parts, § 2, decided to grant the ECE approval for the motor vehicle rear combination lamp model, Talmu 14 1179-190, Hella 2SD 964 169-11 and manufactured by the applicant, carrying approval number 9903 extension -, and complying with the ECE regulations No. 6/01 and 7/02 as specified in the enclosed Approval Certificate and Drawings No. 014246-00 and 014262-00.

The lamp devices marked with the approval number must correspond to the devices examined in tests on which this approval decision is based on. The approval can be cancelled if it is found that the lamp devices carrying the approval number do not comply with the requirements of ECE Regulations No. 6/01 and 7/02.

Helsinki, on the 19th of February 1999.

Head of Unit

Martti Lahti

Inspection Engineer

Ismo Ronkainen

Fee FIM 1000,-

Oy Talmu Ab
24100 Salo

R-S1
02
9903



COMMUNICATION

concerning:

APPROVAL GRANTED
~~APPROVAL EXTENDED~~
~~APPROVAL REFUSED~~
~~APPROVAL WITHDRAWN~~
~~PRODUCTION DEFINITELY DISCONTINUED~~

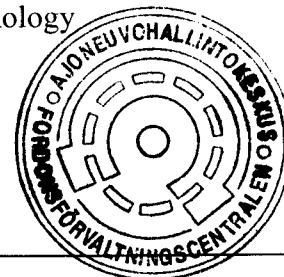
of a type of rear position (side) lamp reciprocally incorporated
with stop lamp category S1

pursuant to Regulation No. 7/02


Approval No. 9903

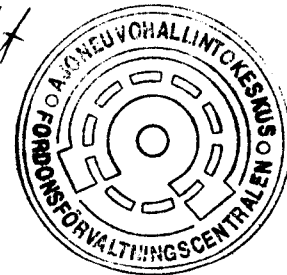
Extension No.-

- Trade name or mark of the device: Talmu 14 1179-190
Hella 2SD 964 169-11
- Manufacturer's name for the type of device: rear combination lamp 1179 with stop- and rear position (side) lamp and rear direction indicator
- Manufacturer's name and address: OY TALMU AB
FIN-24100 Salo, Finland
- If applicable, name and address of the manufacturer's representative: n.a.
- Submitted for approval on: 19.1.1999
- Technical service responsible for conducting approval tests: VTT AUTOMATION
Product Technology
Laboratory of Lighting Technology
P.O.Box 13051
FIN-02044 VTT, Finland



7. Date of test report: 30.12.1998
8. Number of test report: AUT/TES/115/98
9. Concise description:
- by category of lamp: R-S1
- colour of light emitted: red/~~selective yellow~~/white
- number and category of filament lamp(s): one lamp, P21/5W
10. Position of the approval mark: on the lens, see drawing No. 014246-00
11. Reason(s) for extension (if applicable): n.a.
12. Approval: granted/~~refused, extended, withdrawn~~
13. Place: Helsinki
14. Date: 19.2.1999
15. Signature:


Martti Lahti
Head of Unit



16. The list of documents deposited with the Administrative Service which has granted approval is annexed to this communication and may be obtained on request.

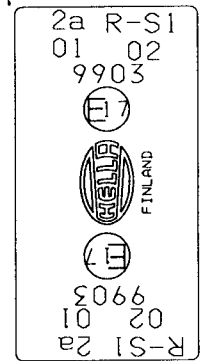
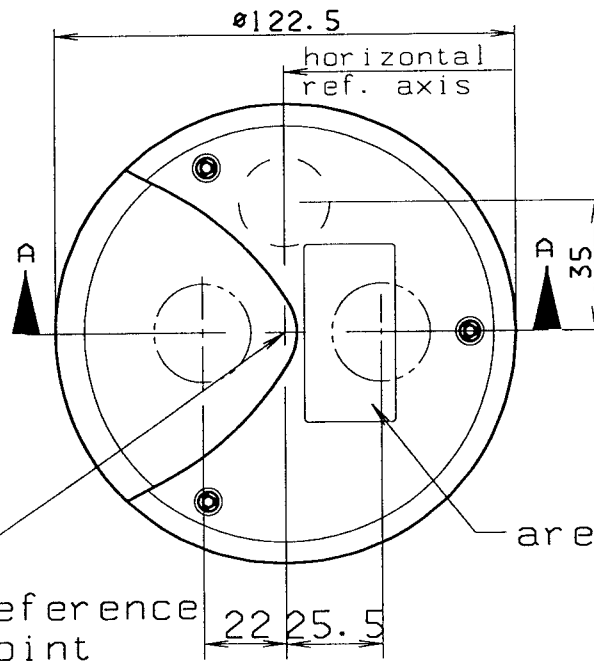
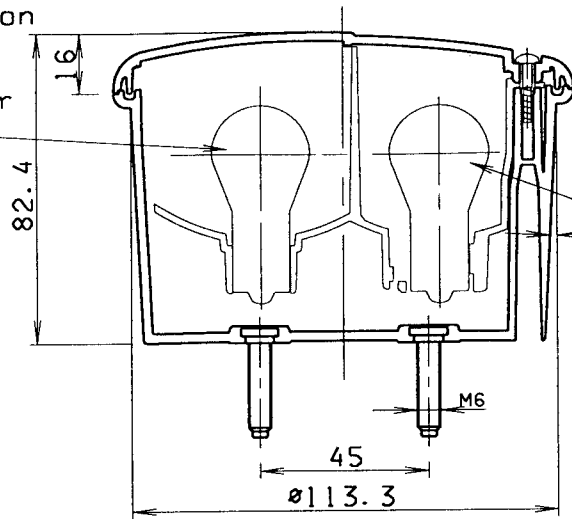
Test report No. AUT/TES/115/98
Drawings No. 014246-00
014262-00

R-S1
02
9903



rear direction
indicator
category 2a
colour: amber
lamp: P21W

rear position
(side) lamp
reciprocally
incorporated with
stop lamp
category S1
colour: red
lamp: P21W/5W



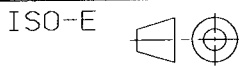
area for markings

Talmu product number: 14 1179-190 with fixing screws
Hella product number: 2SD 964 169-11 with

2a R-S1
01 02
9903



1:2



	DATE	NAME
DRAWN	08.12.1998	EHA
EXAM.		
GROUP		TUKE



OY TALMU AB
FINLAND

PART NAME	MODE
REAR COMBINATION LAMP 1179 / 6	H
DRAWING NO	ISO-A
014246-00	4
MCADAM	

Determining the lower, upper and lateral limits of the illuminating surface of the lamp device.
 According to European DIRECTIVE 91/663/EEC, Annex I
 "Installation of lightning and light-signalling devices",
 clause 1.9.2.
 According to ECE regulation 48/01
 "Installation of lightning and light-signalling devices",
 clause 2.9.2.

figure 1 A

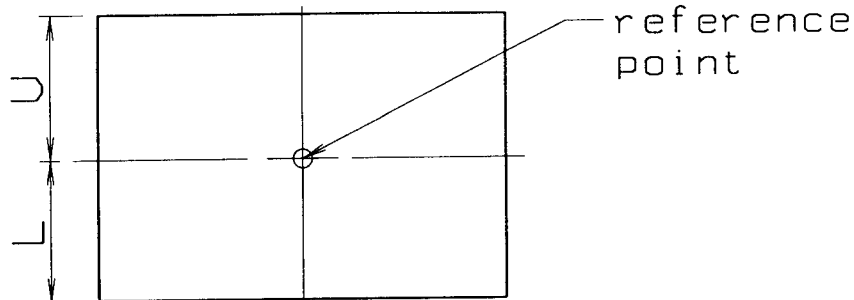
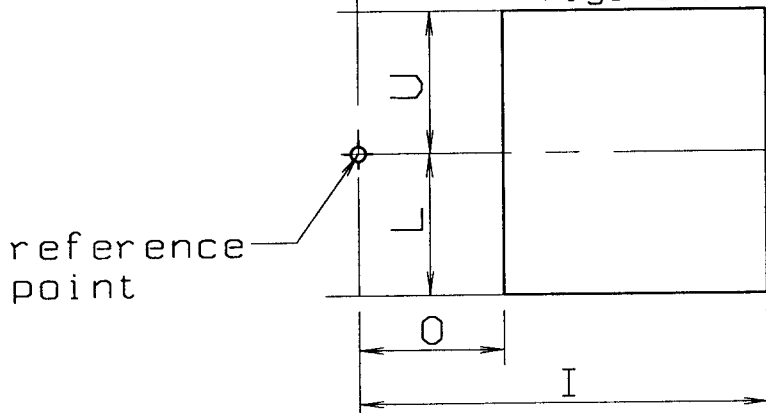


figure 1 B



Function	upper limit (U) mm	lower limit (L) mm	outer limit (O) mm	inner limit (I) mm	Fig.
Rear position (side) lamp	40	40	48	10	1 A
Stop lamp	39	39	49	10	1 A
Direction indicator lamp	31	32	2	49	1 B

Belongs drw. no: 014246-00

2a R-S1

01 02

9903

See test report VTT AUT/TES/115/98



	DATE	NAME
DRAWN	13.01.1999	EHa
EXAM.		
GROUP		TUKE



OY TALMU AB
FINLAND

PART NAME REAR COMBINATION LAMP 1179/X		MODE H
DRAWING NO 014262-00		ISO-A 4
ILLUMINATING SURFACE		
MCADAM		