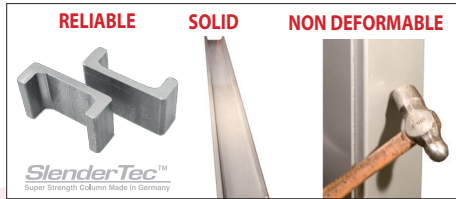




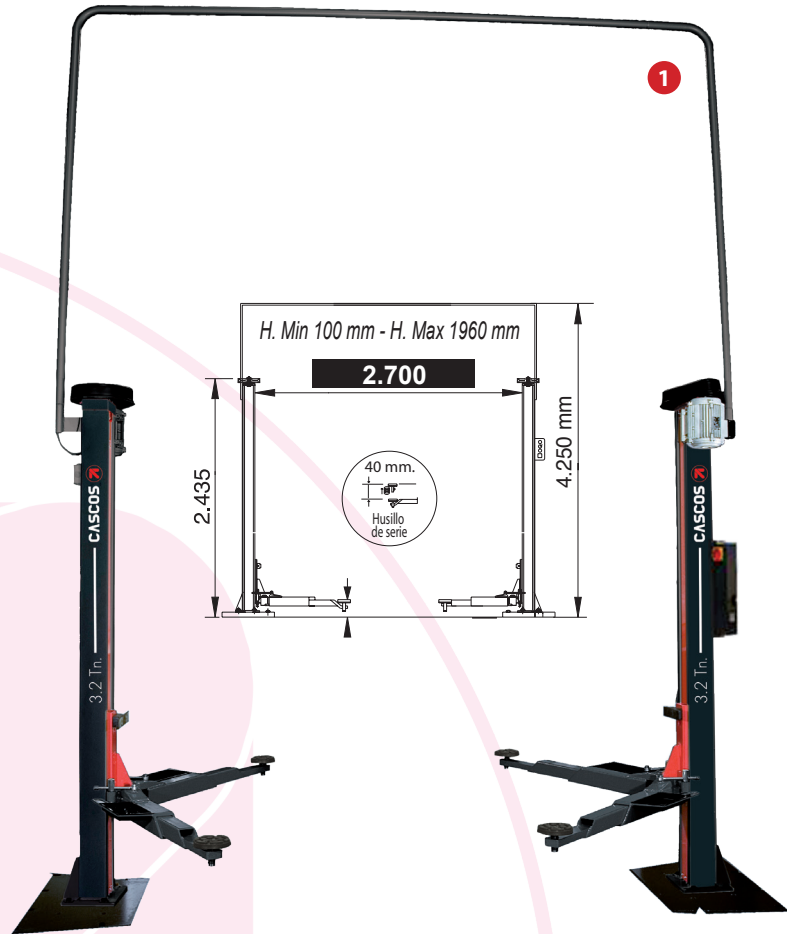
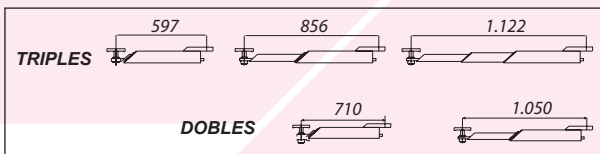
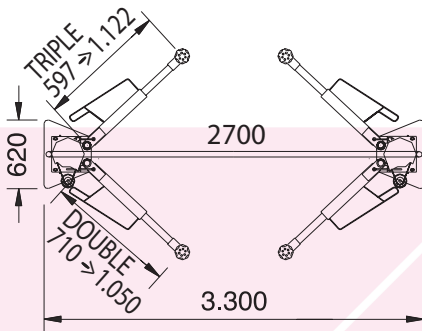
# C3.2S Confort

Ref.				
13120SC	3.200 Kg.	590 Kg.	400/230V - 2.2+2.2kW	45"

Made in Germany



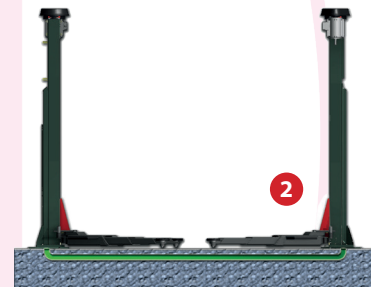
*SlenderTec™* Super Strength Column Made in Germany profile allows to manufacture extremely resistant post and less bulky.



### Reversibility



Our lifts include anchorage plates.

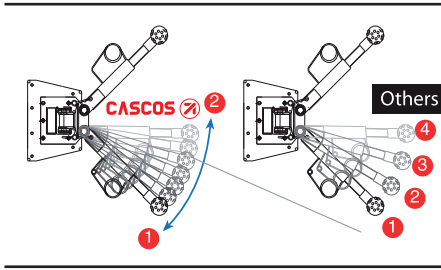


Motor wiring and detectors can go either through:

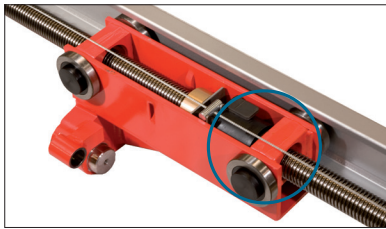
- The supplied archway 1
- The floor 2

**✓ Exclusive details**

Our safety locks mechanism, via spindle rod, unlike the cog type, allows universal positioning of pick-up points.

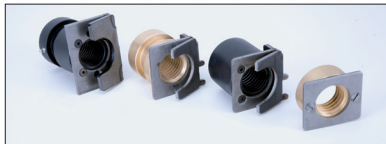


High quality guided steel bearings offer longer durability than nylon guides.



The biggest diameter spindle on the market and high quality nuts offer:

- Less wear.
- Longer lasting life.



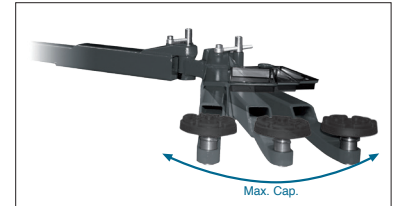
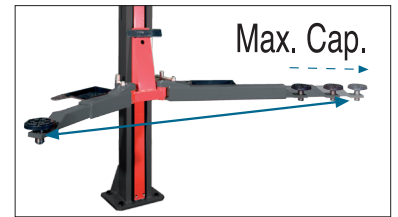
The most advance and reliable levelling system in the market



## ILC SYSTEM (INTELLIGENT LIFT CONTROL)

**A NEW GENERATION OF LIFTS**  
**ILC (Intelligence Lift Control)** an innovative control system developed by CASCOS that **not only controls the operation of lift** but also allows us to display on the LCD screen control information that improves the management and performance of the equipment in many aspects: safety warnings, useful information about the lift operation, operational alerts, maintenance notifications, instructions to follow in the most common breakdowns, userconfigured options such as working height, ID key to prevent unauthorized operation, etc... **ILC is a new concept that will help you control and improve the profitability of your workshop** all through a friendly menu.

**Maximum APPROVED load**  
**In any position!**



Our lifts, against the others from our main competitors, can lift the maximum load at:

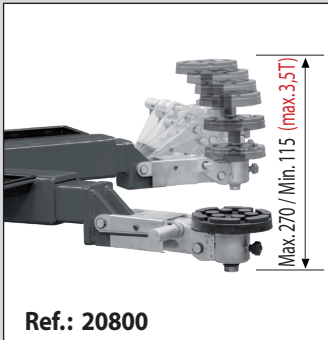
- Any opening angle.
- Arm extension.



- Tool trays.
- Door protection.
- Spindle protection.

## Accessories

### Clip system pads



### Spindles

**ASSEMBLED IN FACTORY**

**Standard spindle**  
 H. max: 141  
 H. min: 100  
 +40

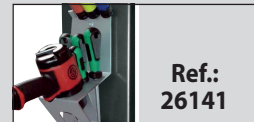
**Optional triple spindle**  
 H. max: 236/292  
 H. min: 100/131  
 +136

At the time of purchase, we could advise you to choose the most accurate to your needs.

### Integrated power plug (Assembled in factory)



### Magnetic holder for tools



### Magnetic air Kit



### Holders



### Additional buttoning opposite column



### Original spare part

