



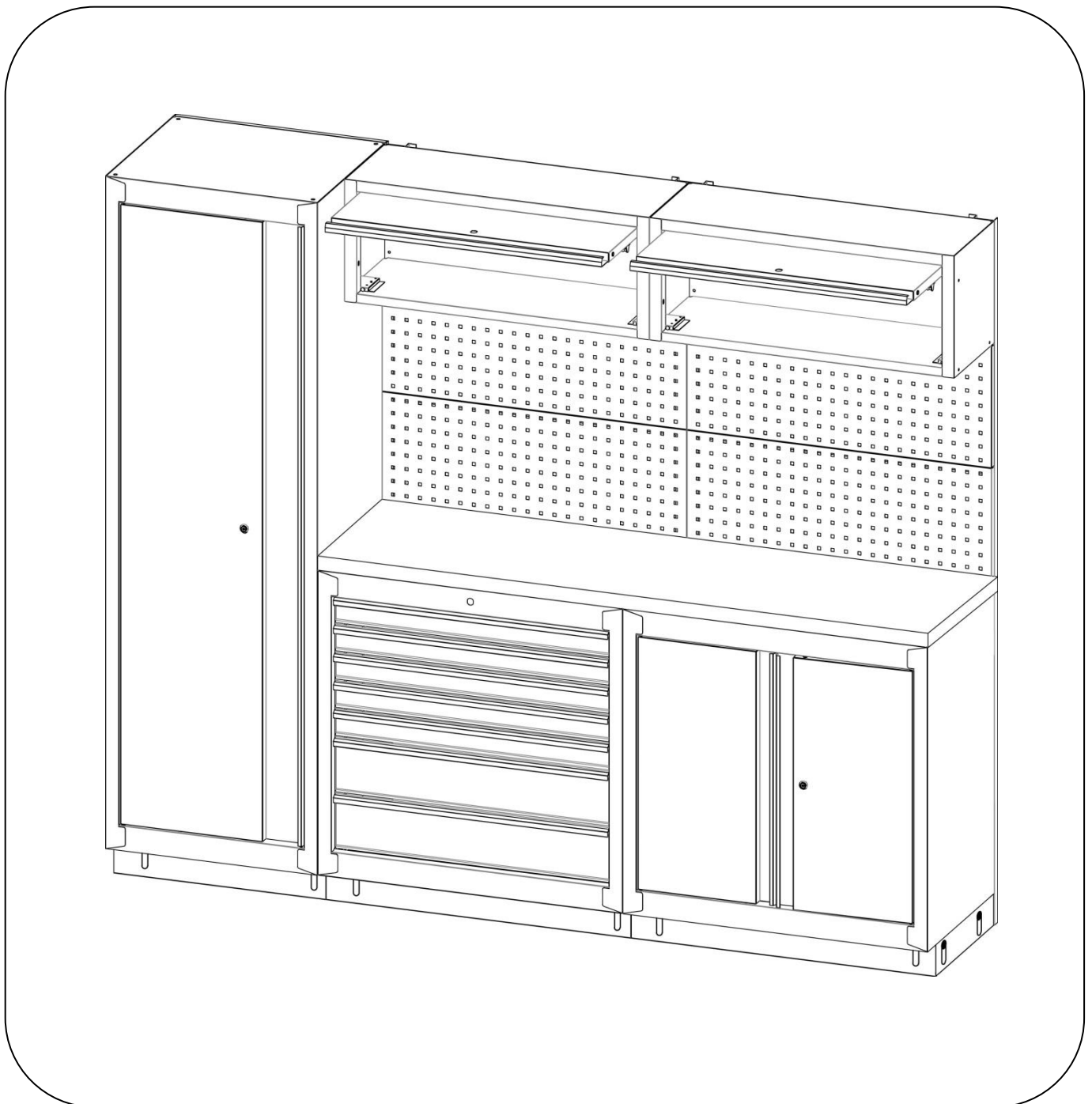
# Organized Storage Modules

## Assembly Manual



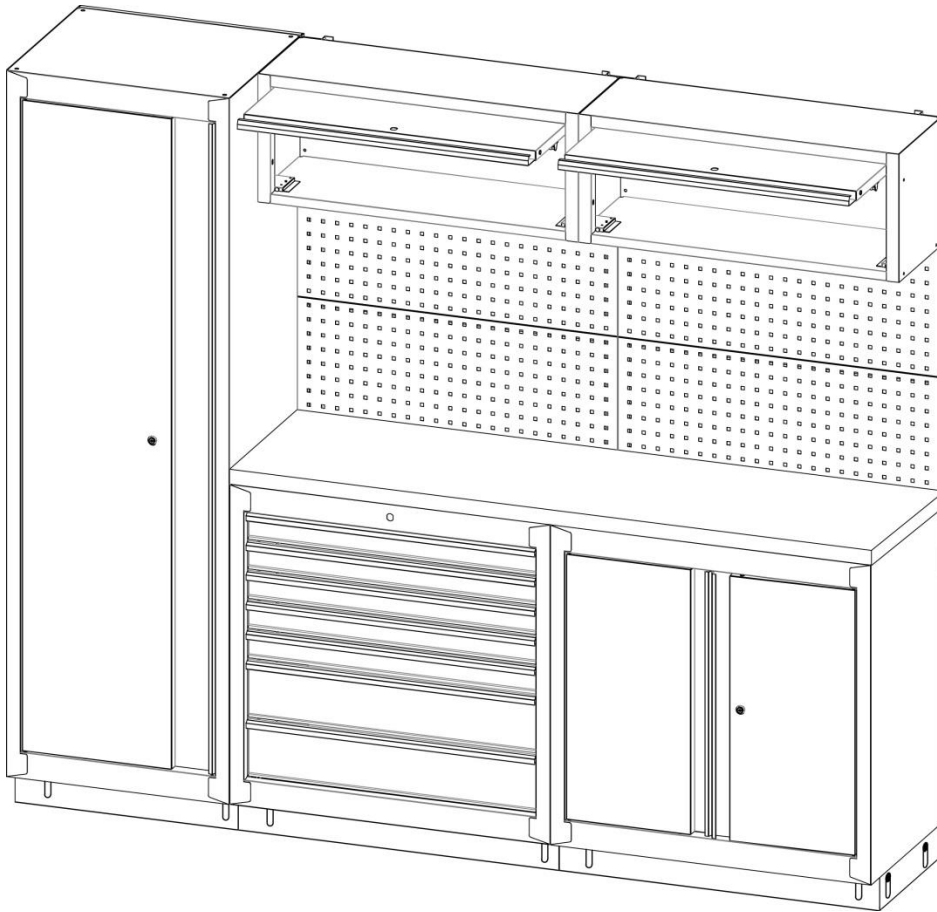
# INDEX

|                                    |                   |
|------------------------------------|-------------------|
| <b>Unpacking</b> .....             | <a href="#">3</a> |
| <b>Assembly Tool Request</b> ..... | 3                 |
| Exploded Drawing.....              | <a href="#">4</a> |
| Assembly                           |                   |
| Step 1.....                        | <a href="#">5</a> |
| Step 2.....                        | <a href="#">6</a> |
| Step 3.....                        | <a href="#">7</a> |
| Step 4.....                        | <a href="#">8</a> |
| Step 5.....                        | <a href="#">9</a> |
| Finish.....                        | 2                 |



## **Unpacking**

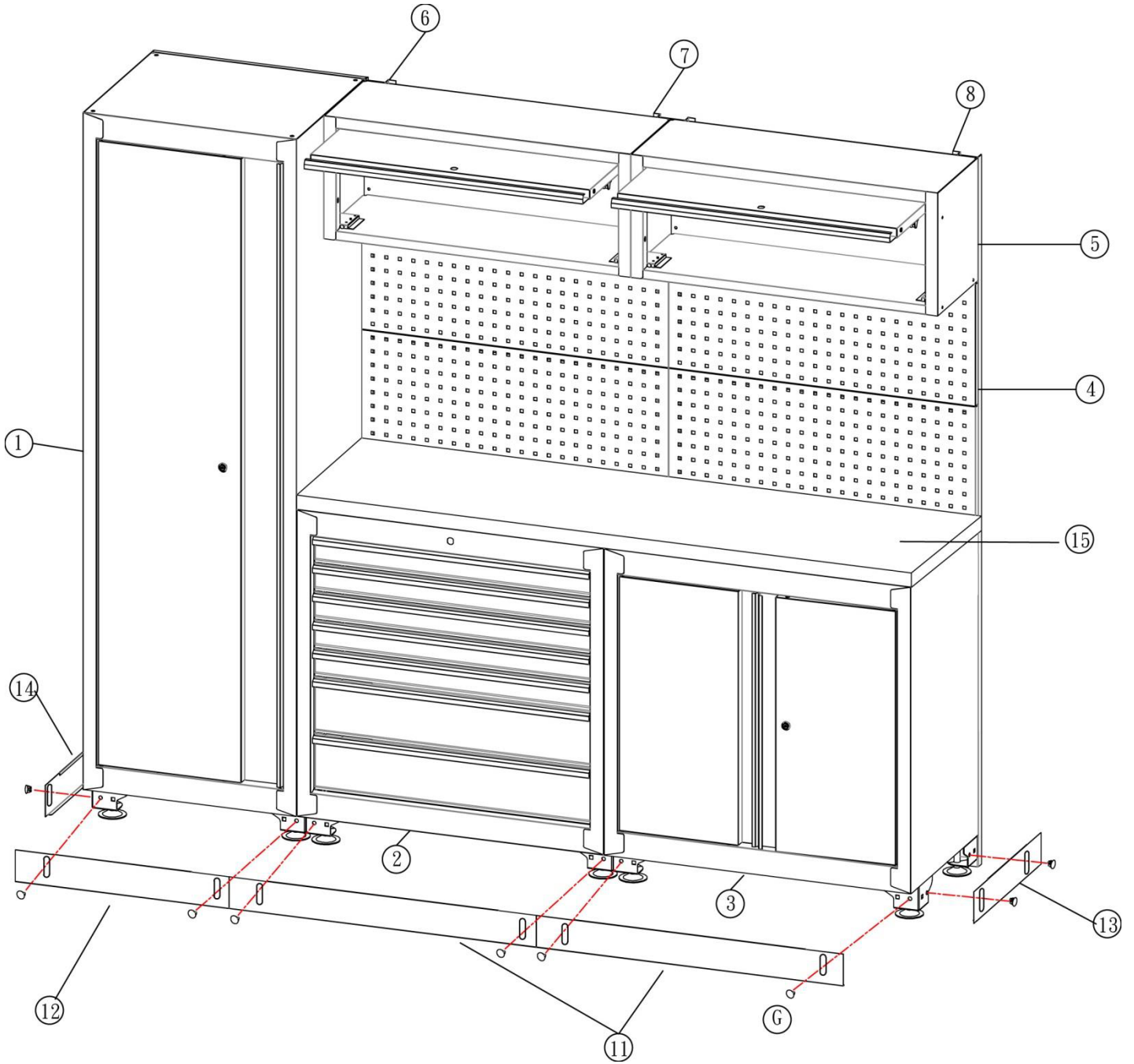
When unpacking unit, please ensure the unit is to face up, please don't use sharp-pointed tools for unpacking. After unpacking unit, inspect carefully for any damage that may have occurred during transit. Check for loose, missing, or damaged parts. Shipping damage claim must be filed with carrier.



## **Assembly Tool Request**

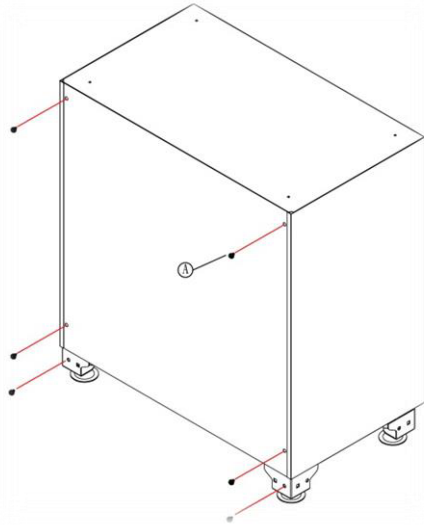
To assemble the workstation, you will need a Phillips Screwdriver PH2 and Open End Wrench 10mm.

# Exploded Drawing

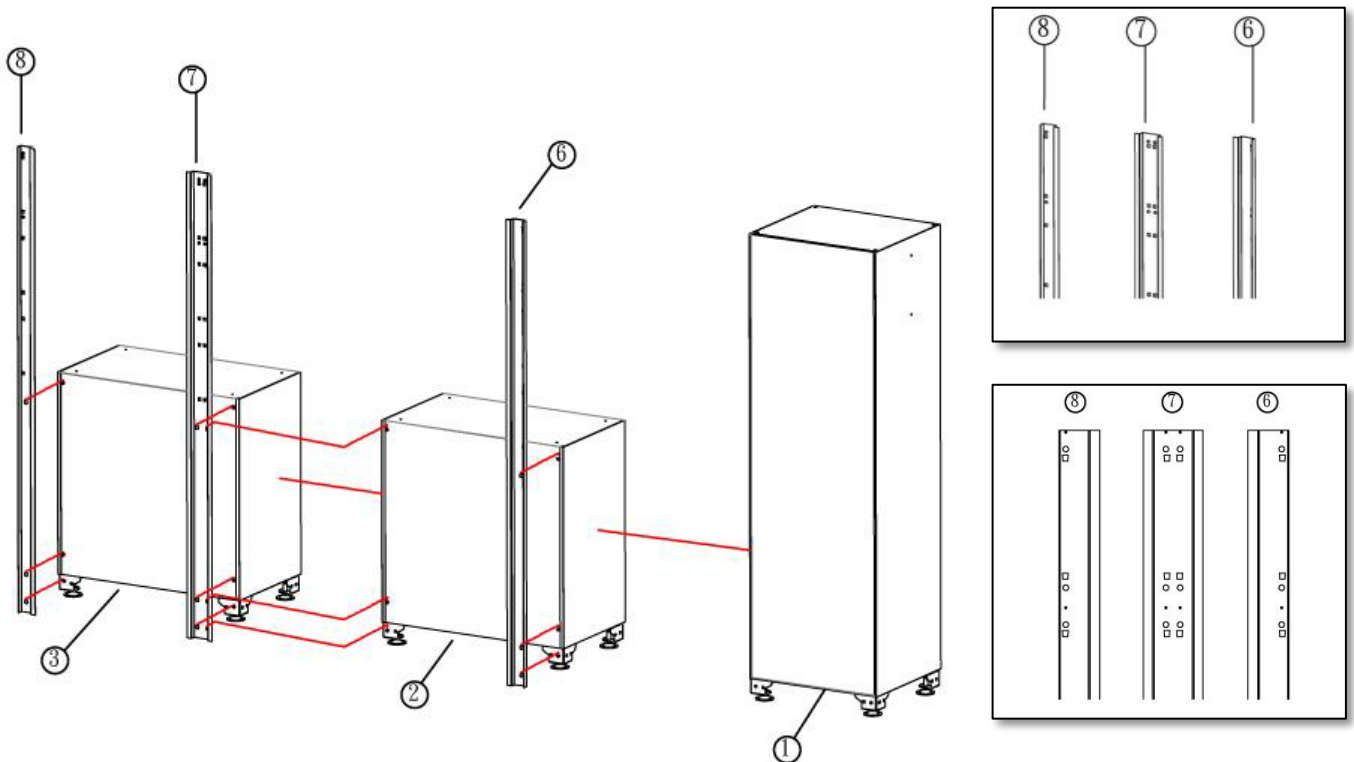


## Step1

1. Apply 6pcs Phillips M6 Screw **Ⓐ** on back side of the storage in order to fix with Support Bracket later. Do not tighten the Phillips M6 Screw **Ⓐ** completely. Have about 3-5 screw thread left in order to apply Support Bracket later.

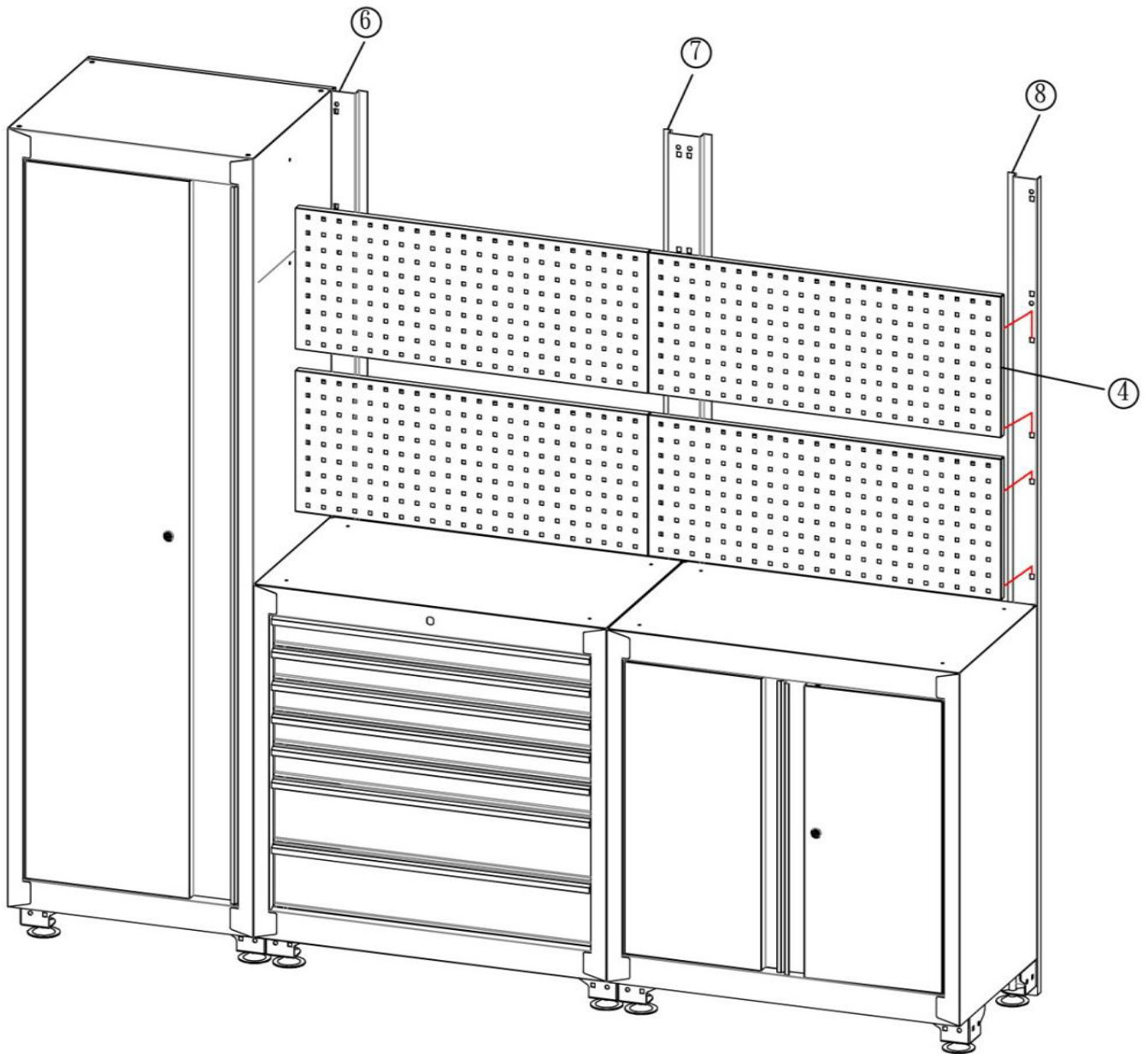


2. Move storages to the desired location and start to apply the Support Bracket (**Ⓔ**,**Ⓕ**,**Ⓖ**) onto it as below diagram. Apply the Support Bracket onto correct location as marked below. Support Bracket will have labeling on it for easy identification.
  - **Ⓔ** Right Support Bracket is fit for Right End side of Workstation. It is on the side of Wall Cabinet **Ⓐ**.
  - **Ⓕ** Middle Support Bracket is fit for Middle position of the Workstation.
  - **Ⓖ** Left Support Bracket is fit for Left End side of Workstation.



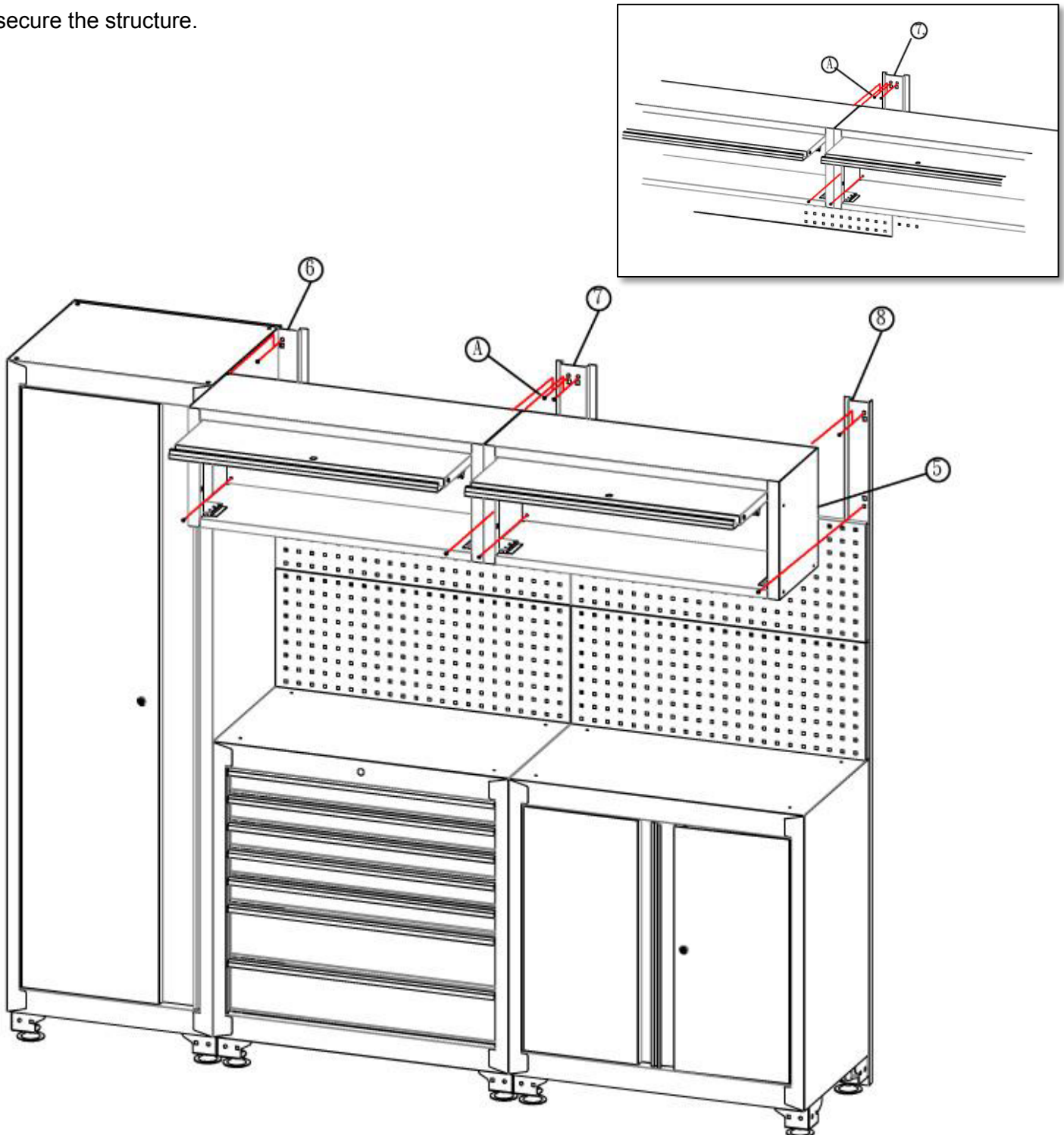
## Step 2

1. Apply the Perforated Panel ④ to the Support Bracket as below diagram.



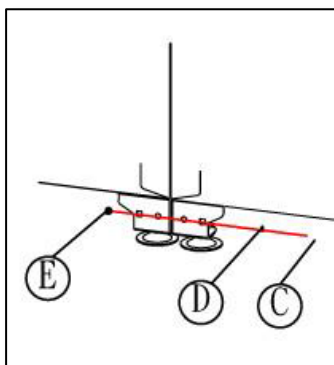
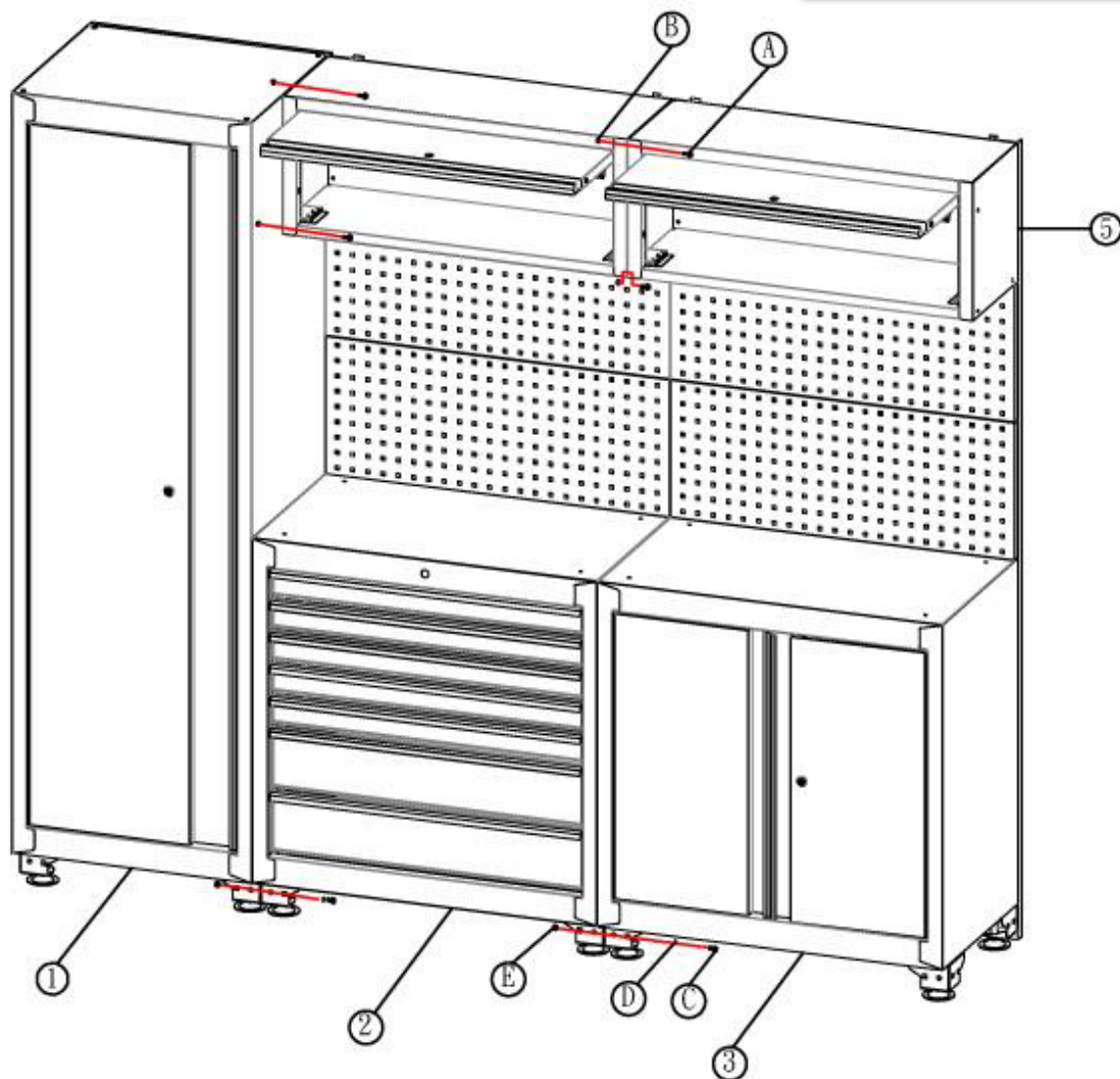
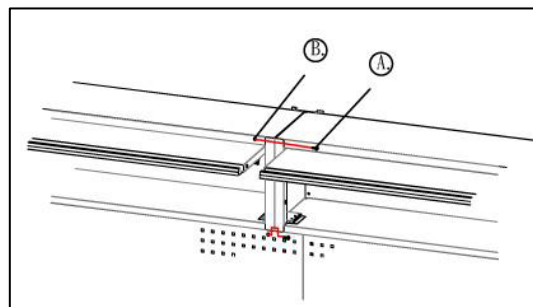
## Step 3

1. Apply 4pcs Phillips M6 Screw (A) on the top of the Support Bracket (6,7,8) as marked below.  
Do not tighten the Phillips M6 Screw (A) completely. Have about 3-5 screw thread left in order to apply Cupboard Unit (5) later.
2. Lift and hook the Cupboard Unit (5) to the Phillips M6 Screw (A) on the Support Bracket (6,7,8).
3. Tighten completely the top screws and apply remaining 4pcs Phillips M6 Screw (A) from inside the Cupboard Unit (5) to the Support Bracket (6,7,8) to secure the structure.



## Step 4

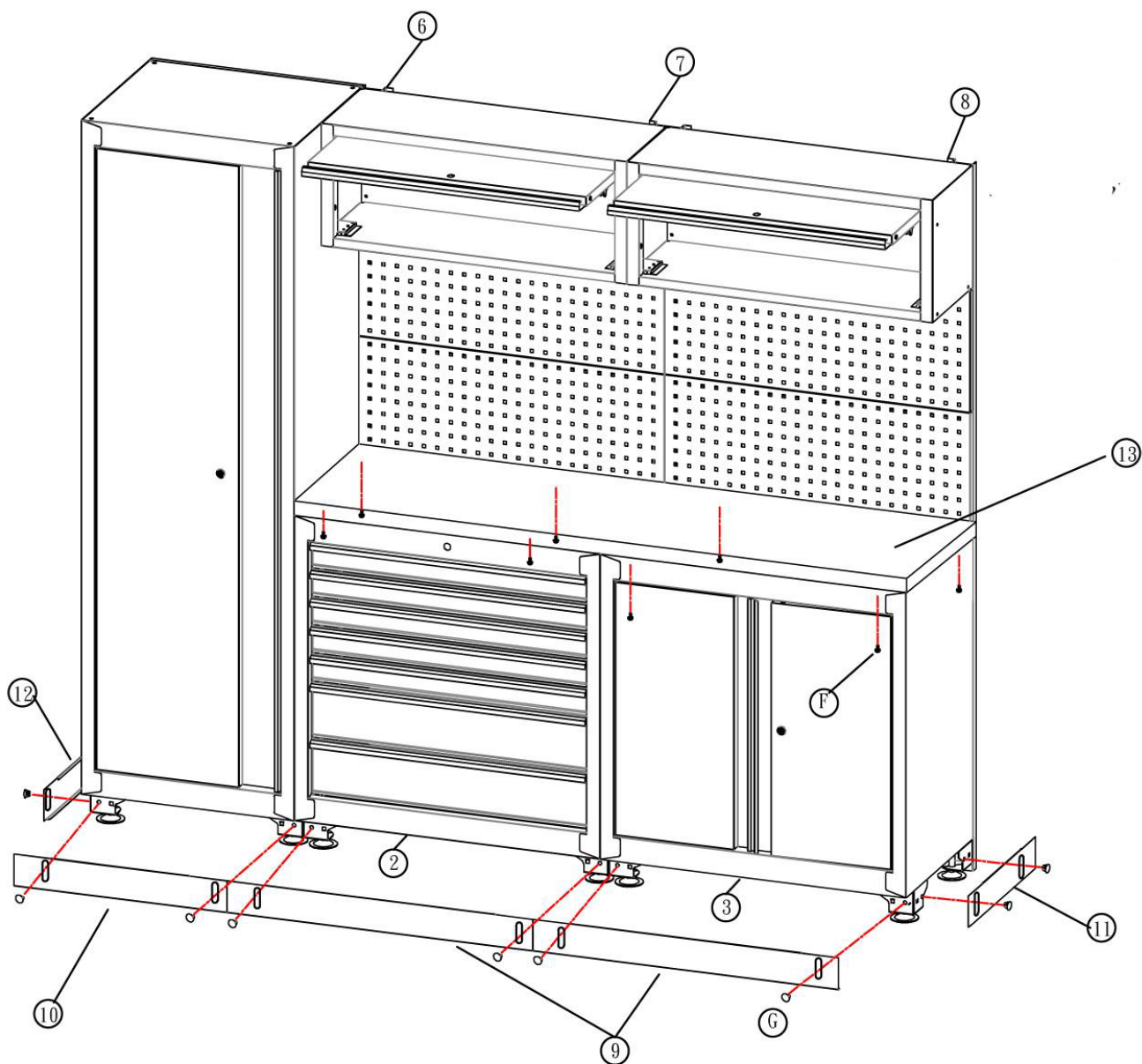
1. Use Phillips M6 Screw (A) and Nut (B) to link between the 2 Cupboard Unit (5) and Wall Cabinet (1).
2. Use Hex Bolt M6 Screw (C, D, E) to link between the Cabinet (2, 3) and Wall Cabinet (1) as below diagram.





## Step 5

1. Apply Front Covers ⑨,⑩ and Side Covers ⑪,⑫ into storage stand with Plastic Plugs ⑥ as below diagram.
2. Place the Wooden Top ⑬ on the work surface.  
Remove the top drawer on the Cabinet ② and open the door of the Closet Cabinet ③ to apply the Wooden Screw ⑦ as per below diagram.



## Finish

Congregations the workstation is successfully installed.

