



ENGINEERING and MARKETING S.P.A.

1297-M003-3_B

**LIBRAK380
LIBRAK380P
LIBRAK380S
LIBRAK380PS
LIBRAK380W
LIBRAK380PW
LIBRAK380WS
LIBRAK380PWS**

INSTRUCTION MANUAL

GB

TRANSLATION FROM THE
ORIGINAL INSTRUCTIONS

For spare parts drawings refer to the section "LIST OF COMPONENTS" enclosed to this manual.

- For any further information please contact your local dealer or call:

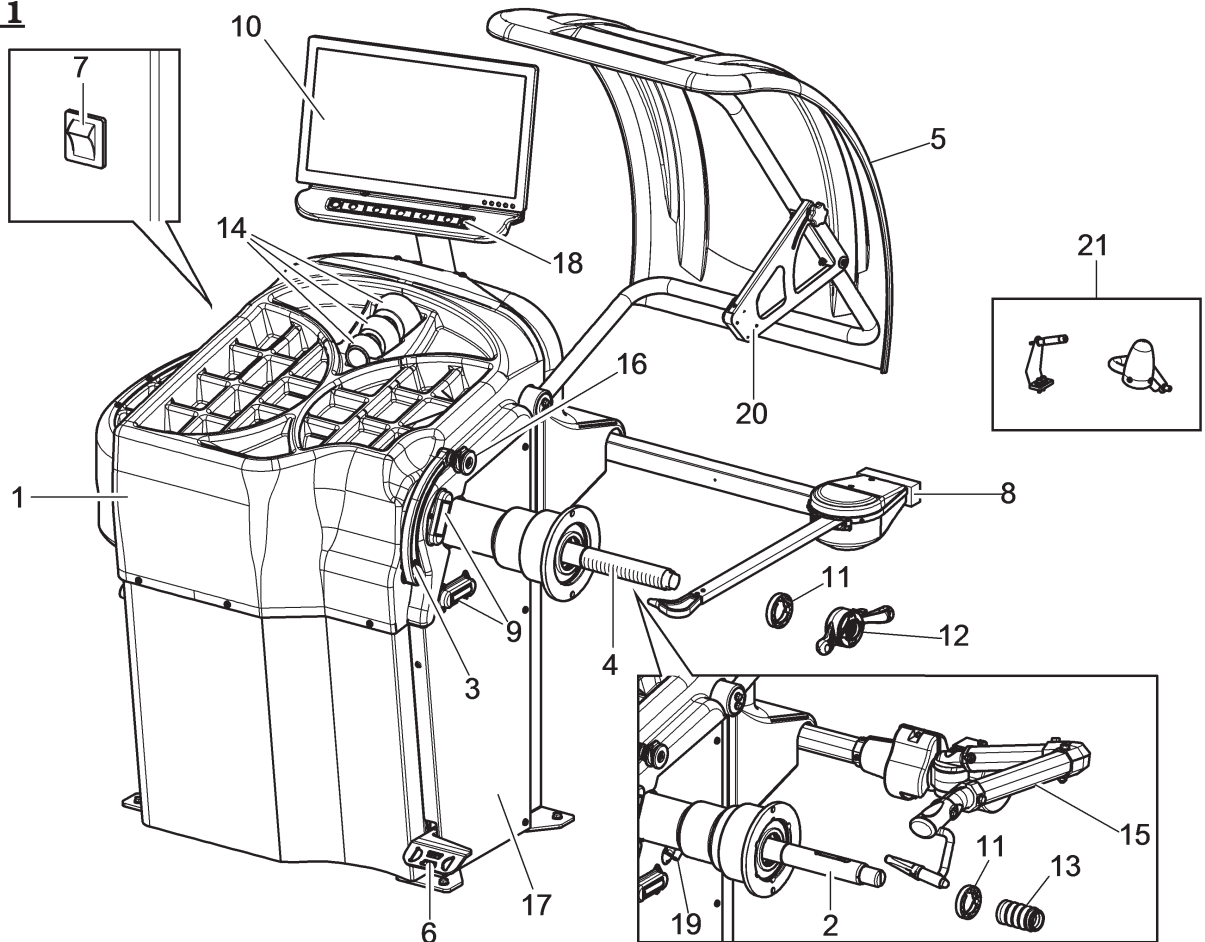
BUTLER ENGINEERING and MARKETING S.p.A. a s. u.
Via dell'Ecologia, 6 - 42047 Rolo - (RE) Italy
Phone (+39) 0522 647911 - Fax (+39) 0522 649760 - e-mail: Info@butler.it

1297-M003-3_B - Rev. n. 3 (02/2018)

SUMMARY







SYMBOLS USED IN THE MANUAL _____	5	12.3 Adjustment of ultrasound sensor support (only for LIBRAK380W - LIBRAK380PW - LIBRAK380WS - LIBRAK380PWS models) _____	23
1.0 GENERAL INTRODUCTION _____	7	13.0 CONTROL PANEL _____	23
1.1 Introduction _____	7	14.0 WHEEL BALANCING _____	24
2.0 INTENDED USE _____	7	14.1 Switching the machine on and off _____	24
2.1 Training of personnel _____	7	14.2 Balancing programs setting _____	25
3.0 SAFETY DEVICES _____	8	14.2.1 Programs rapid setting and measurements through distance-diameter caliper arm _____	25
3.1 Residual risks _____	8	14.2.2 Programs setting through "Measurement being acquired" screen page _____	28
4.0 GENERAL SAFETY RULES _____	8	14.3 Indicative display of points where to detect measures/to fit weight _____	30
5.0 PACKING AND MOBILIZATION FOR TRANSPORT _____	9	14.3.1 Weights positioning _____	30
6.0 UNPACKING _____	10	14.4 Displaying the active/modifiable field _____	30
7.0 MOBILIZATION _____	10	14.5 Wheel balancing screen page description _____	31
8.0 WORKING ENVIRONMENT CONDITIONS _____	10	14.5.1 Balancing mode _____	32
8.1 Working area _____	11	14.6 Use of machines with disabled automatic gauge _____	34
8.2 Lighting _____	11	14.6.1 Manual setting of wheel dimensions _____	34
9.0 MACHINE ASSEMBLY _____	11	14.7 Standard balancing programs _____	35
9.1 Anchoring system _____	11	14.7.1 Static _____	35
9.2 Fixtures contained in the packing _____	12	14.7.2 Static-1 _____	35
9.3 Assembly procedures _____	13	14.7.3 Static-2 _____	35
9.3.1 Fitting the mandrel on the flange _____	13	14.7.4 Dynamic _____	36
9.3.2 Fitting and removal of the pneumatic mandrel on the flange _____	13	14.7.5 ALU-S _____	36
9.3.3 Fitting the protection guard _____	15	14.7.6 ALU-S1 _____	36
9.3.4 Fitting of wheels width external data gauge (only for LIBRAK380 - LIBRAK380P models) _____	15	14.7.7 ALU-S2 _____	36
9.3.5 Fitting of professional external data gauge (standard for LIBRAK380S and LIBRAK380PS models) (optional for LIBRAK380 and LIBRAK380P models) _____	16	14.7.8 ALU-1 _____	37
9.3.6 Monitor fitting _____	17	14.7.9 ALU-2 _____	37
10.0 ELECTRICAL CONNECTIONS _____	18	14.7.10 ALU-3 _____	37
10.1 Electrical checks _____	19	14.7.11 ALU-4 _____	37
11.0 AIR CONNECTION _____	19	14.8 Optional balancing programs _____	38
12.0 FITTING THE WHEEL ON THE MANDREL _____	20	14.8.1 ECO-WEIGHT mode _____	38
12.1 Fitting of the wheel (LIBRAK380 - LIBRAK380S - LIBRAK380W - LIBRAK380WS) _____	20	14.8.2 SPLIT mode _____	40
12.2 Fitting of the wheel (LIBRAK380P - LIBRAK380PS - LIBRAK380PW - LIBRAK380PWS) _____	21	14.8.3 Weights hidden behind spokes mode _____	42
		14.8.4 matching mode _____	43
		14.9 Special balancing programs _____	45
		14.9.1 Pax _____	45
		14.10 Recalculation function _____	46
		14.11 Motorbike mode wheel balancing _____	46
		15.0 USER MENU (OPTIONS AND CALIBRATION) _____	47
		15.1 Options menu _____	48
		15.1.1 Lower weight limit _____	49







15.1.2 Setting adhesive weight dimensions and static threshold percentage _____	50	18.0 TECHNICAL DATA _____	61
15.1.3 User management _____	50	18.1 Dimensions _____	62
15.2 Machine calibrations _____	51	19.0 STORING _____	64
15.2.1 Mandrel "0" (zero) calibration _____	51	20.0 SCRAPPING _____	64
15.2.2 Weight measurement sensors calibration _____	52	21.0 REGISTRATION PLATE DATA _____	64
15.2.3 Gauges calibration _____	53	22.0 FUNCTIONAL DIAGRAMS _____	64
15.2.4 Mobile laser pointer calibration _____	57	Table A - Electric diagram _____	65
16.0 ERROR SIGNALS _____	59	Table B - Pneumatic diagram _____	67
17.0 ROUTINE MAINTENANCE _____	60	23.0 LIST OF COMPONENTS	

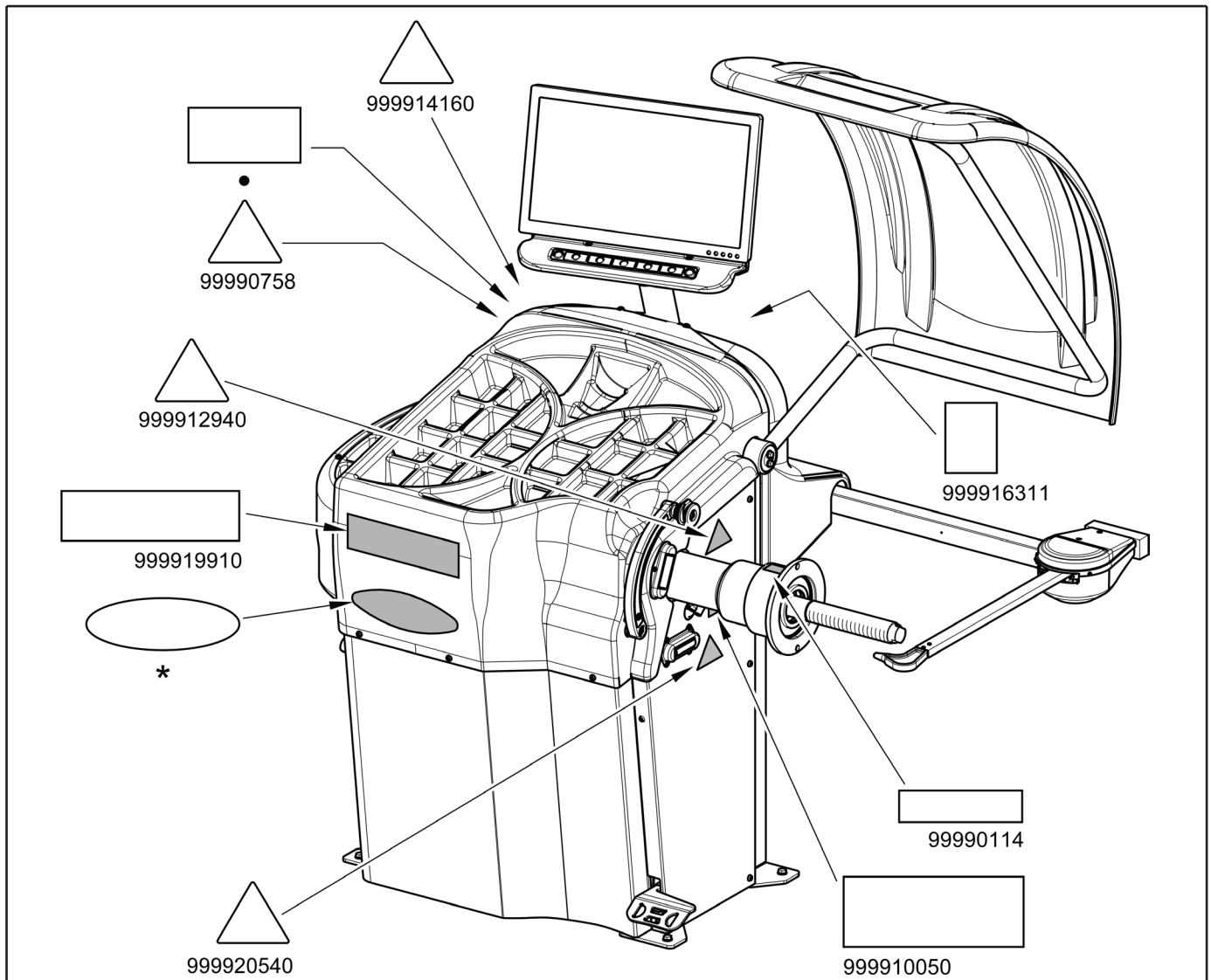
Fig. 1**KEY**

- 1 – Weight holding bridge
- 2 – Pneumatic mandrel (only for LIBRAK380P - LIBRAK380PS - LIBRAK380PW - LIBRAK380PWS models)
- 3 – Distance-diameter caliper
- 4 – Threaded mandrel (only for LIBRAK380 - LIBRAK380S - LIBRAK380W - LIBRAK380WS models)
- 5 – Protection guard
- 6 – Foot brake (only for LIBRAK380 - LIBRAK380S - LIBRAK380W - LIBRAK380WS models) / pneumatic mandrel open-close pedal (only for LIBRAK380P - LIBRAK380PS - LIBRAK380PW - LIBRAK380PWS models)
- 7 – Main switch
- 8 – Wheels width external data gauge (only for LIBRAK380 - LIBRAK380P models)
- 9 – Led light unit
- 10 – Monitor
- 11 – Pressure ring
- 12 – Rapid locking ring nut (only for LIBRAK380 - LIBRAK380S - LIBRAK380W - LIBRAK380WS models)
- 13 – Bush (only for LIBRAK380P - LIBRAK380PS - LIBRAK380PW - LIBRAK380PWS models)
- 14 – Cones
- 15 – Professional external data gauge (standard for LIBRAK380S - LIBRAK380PS models) (optional for LIBRAK380 - LIBRAK380P models)
- 16 – Grippers for weight fitting
- 17 – Lateral guard
- 18 – 7-keys keyboard
- 19 – Mobile laser pointer (only for LIBRAK380S - LIBRAK380PS - LIBRAK380WS - LIBRAK380PWS models)
- 20 – Automatic width measuring device unit (only for LIBRAK380W - LIBRAK380PW - LIBRAK380WS - LIBRAK380PWS models)
- 21 – 12 o'clock laser device (optional)

SYMBOLS USED IN THE MANUAL

Symbols	Description
	Read instruction manual.
	Wear work gloves.
	Wear work shoes.
	Wear safety goggles.
	Warning. Be particularly careful (possible material damages).
	Note. Indication and/or useful information.

Symbols	Description
	Mandatory. Operations or jobs to be performed compulsorily.
	Danger! Be particularly careful.
	Move with fork lift truck or pallet truck.
	Lift from above.
	Technical assistance necessary. Do not perform any intervention.
	Attention: never lift the machine by means of the mandrel.

INFORMATION PLATE LOCATION TABLE**Code numbers of plates**

99990114	<i>Arrow plate</i>
99990758	<i>Electricity danger plate</i>
999910050	<i>Protection device use plate</i>
999912940	<i>Lifting plate</i>
999914160	<i>Voltage 230V 50/60 Hz 1 Ph plate</i>
999916311	<i>Rubbish skip label</i>
999919910	<i>Machine nameplate</i>
999920540	<i>Laser point danger plate (only for models LIBRAK380S - LIBRAK380PS - LIBRAK380WS - LIBRAK380PWS)</i>
•	<i>Manufacturer nameplate</i>
*	<i>Serial number plate</i>



IF ONE OR MORE PLATES DISAPPEAR FROM THE MACHINE OR BECOMES DIFFICULT TO READ. REPLACE IT AND QUOTE ITS/THEIR CODE NUMBER/S WHEN REORDERING.



SOME OF THE PICTURES AND/OR DISPLAY SCREEN PAGES PRESENT IN THIS MANUAL HAVE BEEN OBTAINED FROM PICTURES OF PROTOTYPES, THEREFORE THE STANDARD PRODUCTION MACHINES AND ACCESSORIES CAN BE DIFFERENT IN SOME COMPONENTS/DISPLAY SCREEN PAGES.

1.0 GENERAL INTRODUCTION

This manual is an integral part of the product and must be retained for the whole operating life of the machine.

Carefully study the warnings and instructions contained in this manual. It contains important instructions regarding **FUNCTIONING, SAFE USE and MAINTENANCE.**



KEEP THE MANUAL IN A KNOWN, EASILY ACCESSIBLE PLACE FOR ALL ACCESSORY OPERATORS TO CONSULT IT WHENEVER IN DOUBT.



THE MANUFACTURER DISCLAIMS ALL RESPONSIBILITY FOR ANY DAMAGE OCCURRED WHEN THE INDICATIONS GIVEN IN THIS MANUAL ARE NOT RESPECTED: AS A MATTER OF FACT, THE NON-COMPLIANCE WITH SUCH INDICATIONS MIGHT LEAD TO EVEN SERIOUS DANGERS.

1.1 Introduction

Thank you for preferring this wheel balancer. We feel sure you will not regret your decision.

This machine has been designed for use in professional workshops and stands out for its reliability and easy, safe and rapid operation. With just a small degree of maintenance and care, this wheel balancer will give you many years of trouble-free service and lots of satisfaction.

2.0 INTENDED USE

The machines described in this manual and their different versions, are wheels balancing machines for trucks, projected to be used exclusively to cancel out, or at least reduce to acceptable limits the vibrations of the wheels, by fitting counterweights of suitable size and in specific positions to the same wheels that are not correctly balanced.



DANGER: EMPLOYING THESE MACHINES OUTSIDE THE USE DESTINATION THEY HAVE BEEN DESIGNED FOR (AS INDICATED IN THIS MANUAL) IS INAPPROPRIATE AND DANGEROUS.



THE MANUFACTURER CANNOT BE HELD RESPONSIBLE FOR ANY DAMAGE CAUSED BY IMPROPER, ERRONEOUS, OR UNACCEPTABLE USE.



AN INTENSIVE USE OF THE EQUIPMENT IN INDUSTRIAL ENVIRONMENT IS NOT RECOMMENDED.

2.1 Training of personnel

The machine may be operated only by suitably trained and authorized personnel.

Given the complexity of the operations necessary to manage the machine and to carry out the operations safely and efficiently, the personnel must be trained in such a way that they learn all the information necessary to operate the machine as intended by the manufacturer.



A CAREFUL READING OF THIS INSTRUCTION MANUAL FOR USE AND MAINTENANCE AND A SHORT PERIOD OF TRAINING WITH SKILLED PERSONNEL CAN BE AN ENOUGH PREVENTIVE PREPARATION.

3.0 SAFETY DEVICES



PERIODICALLY, AT LEAST MONTHLY, CHECK THE INTEGRITY AND THE FUNCTIONALITY OF THE SAFETY AND PROTECTION DEVICES ON THE MACHINE.

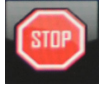
- **Master switch positioned on the rear of the machine**

Its function is to disconnect machine electric supply.

- **Protection guard**

Its function is to protect the operator from possible projections of materials on the wheel during its spin. Wheel spinning is normally prevented if the wheel protection guard is raised (open). When the protection guard is open, this interrupts the circuit that triggers the motor and automatic start is prevented, including in the case of an error.



Press  stop key to stop wheel rotation in emergency conditions.

3.1 Residual risks

The machine was subjected to a complete analysis of risks according to reference standard EN ISO 12100. Risks are as reduced as possible in relation with technology and product functionality.

Possible residual risks have been emphasized through pictorial representations and warnings which placing is indicated in "PLATE POSITIONING TABLE" at page 6.

4.0 GENERAL SAFETY RULES



- Any tampering with or modification to the machine not previously authorized by the manufacturer exempts the latter from all responsibility for damage caused by or derived from said actions.
- Removing of or tampering with the safety devices or with the warning signals placed on the machine leads to serious dangers and represents a transgression of European safety rules.
- Use of the machine is only permitted in places free from **explosion** or **fire** hazard and in **dry places under cover**.
- Original spare parts and accessories should be used.



THE MANUFACTURER DENIES ANY RESPONSIBILITY IN CASE OF DAMAGES CAUSED BY UNAUTHORIZED MODIFICATIONS OR BY THE USE OF NON ORIGINAL COMPONENTS OR EQUIPMENT.

- Installation must be conducted only by qualified personnel exactly according to the instructions that are given below.
- Ensure that there are no dangerous situations during the machine operating manoeuvres. Immediately stop the machine if it miss-functions and contact the assistance service of an authorized dealer.
- In emergency situations and before carrying out any maintenance or repairs, disconnect all supplies to the machine by using the main switch, placed on the machine itself, and unplugging the power supply.
- The machine electrical supply system must be equipped with an appropriate earthing, to which the yellow-green machine protection wire must be connected.
- Ensure that the work area around the machine is free of potentially dangerous objects and that there is no oil since this could damage the tyre. Oil on the floor is also a potential danger for the operator.
- **UNDER NO CIRCUMSTANCES** must the machine be used to spin anything but vehicle wheels. Bad locking can cause rotating parts to come loose, with potential damage to the machine and anything in the vicinity and injury to the operator.



OPERATORS MUST WEAR SUITABLE WORK CLOTHES, PROTECTIVE GLASSES AND GLOVES, AGAINST THE DANGER FROM THE SPRAYING OF DANGEROUS DUST, AND POSSIBLY LOWER BACK SUPPORTS FOR THE LIFTING OF HEAVY PARTS. DANGLING OBJECTS LIKE BRACELETS MUST NOT BE WORN, AND LONG HAIR MUST BE TIED UP. FOOTWEAR SHOULD BE ADEQUATE FOR THE TYPE OF OPERATIONS TO BE CARRIED OUT.



- The machine handles and operating grips must be kept clean and free from oil.
- The workshop must be kept clean and dry. Make sure that the working premises are properly lit. The machine can be operated by a single operator. Unauthorized personnel must remain outside the working area, as shown in **Fig. 3**. Avoid any hazardous situations. Do not use air-operated or electrical equipment when the shop is damp or the floor slippery and do not expose such tools to atmospheric agents.
- When operating and servicing this machine, carefully follow all applicable safety and accident-prevention precautions. The machine must not be operated by professionally unskilled persons.



WHEN USING THE MODELS WITH WHEEL PNEUMATIC CLAMPING, DURING MANDREL OPENING/CLOSING OPERATIONS, BE EXTREMELY CAREFUL AND KEEP YOUR HANDS OR OTHER PARTS OF YOUR BODY AWAY FROM THE MOVING MANDREL.

5.0 PACKING AND MOBILIZATION FOR TRANSPORT



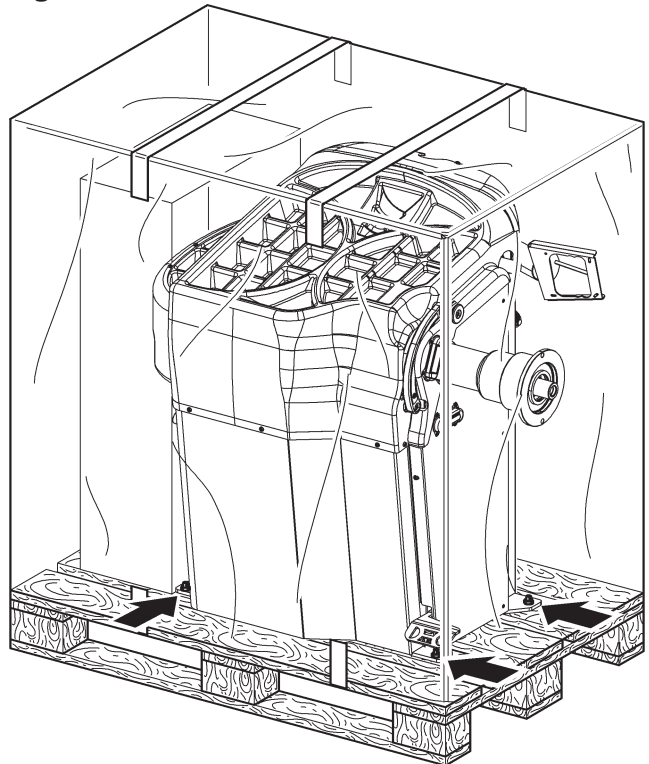
HAVE THE MACHINE HANDLED BY SKILLED PERSONNEL ONLY.

THE LIFTING EQUIPMENT MUST WITHSTAND A MINIMUM RATED LOAD EQUAL TO THE WEIGHT OF THE PACKED MACHINE (SEE PARAGRAPH "TECHNICAL SPECIFICATIONS").

The machine is packed completely assembled. The machine is inside a carton box which size is mm 1300x1000x1150.

Movement must be by pallet-lift or fork-lift trolley. The fork lifting points are indicated on the packing.

Fig. 2



6.0 UNPACKING



DURING UNPACKING, ALWAYS WEAR GLOVES TO PREVENT ANY INJURY CAUSED BY CONTACT WITH PACKAGING MATERIAL (NAILS, ETC.).

The cardboard box is supported with plastic strapping. Cut the strapping with suitable scissors. Use a small knife to cut along the lateral axis of the box and open it like a fan.

It is also possible to unnailed the cardboard box from the pallet it is fixed to. After removing the packing, and in the case of the machine packed fully assembled, check that the machine is complete and that there is no visible damage.

If in doubt **do not use the machine** and refer to professionally qualified personnel (to the seller).

The packing (plastic bags, expanded polystyrene, nails, screws, timber, etc.) should not be left within reach of children since it is potentially dangerous. These materials should be deposited in the relevant collection points if they are pollutants or non biodegradable.



THE BOX CONTAINING THE FIXTURES IS CONTAINED IN THE WRAPPING. DO NOT THROW IT AWAY WITH THE PACKING.

7.0 MOBILIZATION



THE LIFTING EQUIPMENT MUST WITHSTAND A MINIMUM RATED LOAD EQUAL TO THE WEIGHT OF THE MACHINE (SEE PARAGRAPH TECHNICAL SPECIFICATIONS). DO NOT ALLOW THE LIFTED MACHINE TO SWING.



NEVER LIFT THE MACHINE BY MEANS OF THE MANDREL.

If the machine has to be moved from its normal work post, the movement must be conducted following the instructions listed below.

- Protect the exposed corners with suitable material (Pluribol/cardboard).
- Do not use metallic cables for lifting.
- Make sure the electrical and pneumatic supply (only for LIBRAK380P, LIBRAK380PS, LIBRAK380PW and LIBRAK380PWS models) of the machine is not connected.
- Place again the machine onto the original pallet with whom it was delivered.
- Use transpallet or fork-lift for handling.

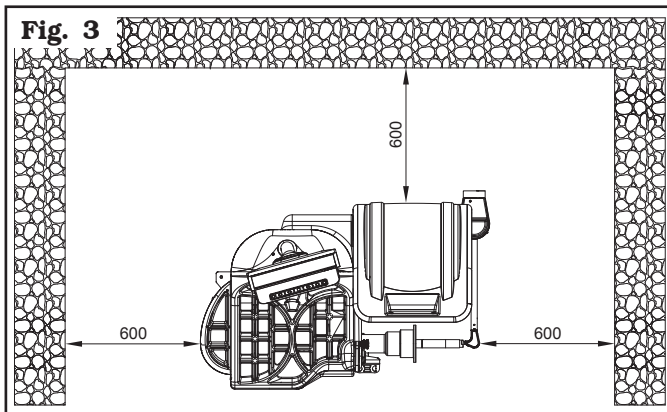
8.0 WORKING ENVIRONMENT CONDITIONS

The machine must be operated under proper conditions as follows:

- temperature: 0° + 45° C
- relative humidity 30 - 90% (dew-free)
- atmospheric pressure: 860 - 1060 hPa (mbar).

The use of the machine in ambient conditions other than those specified above is only allowed after prior agreement with and approval of the manufacturer.

8.1 Working area



The location of the machine requires a usable space as indicated in **Fig. 3**. The positioning of the machine must be according to the distances shown. From the control position the operator is able to observe all the machine and surrounding area. He must prevent unauthorized personnel or objects that could be dangerous from entering the area.

The machine must be fixed on a flat floor surface, preferably of cement or tiled. Avoid yielding or irregular surfaces.

The base floor must be able to support the loads transmitted during operation.

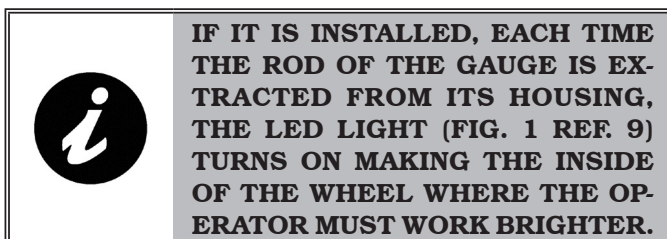
This surface must have a capacity load of at least 500 kg/m².

The depth of the solid floor must be sufficient to guarantee that the anchoring bolts hold.

8.2 Lighting

The machine does not require its own lighting for normal working operations. However, it must be used in an adequately lit environment.

In case of poor lighting use lamps having total power of 800/1200 Watt.

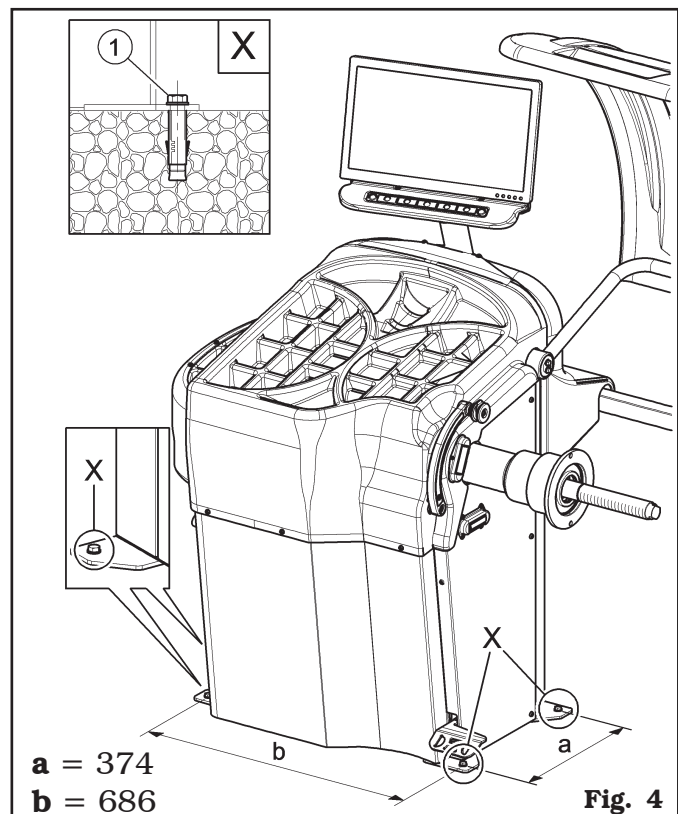
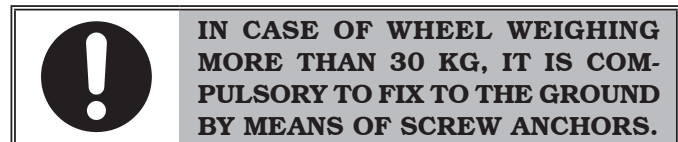


9.0 MACHINE ASSEMBLY

After having freed the various components from the packing check that they are complete, and that there are no anomalies, then comply with the following instructions for the assembly of the components making use of the attached series of illustrations.

9.1 Anchoring system

The packed machine is fixed to the support pallet through the holes prearranged on the frame. Such holes can be used also to fix the machine to the ground, through floor anchor small blocks (**Fig. 4 ref. 1**) (excluded from supply). Before carrying out the definitive fixing, check that all the anchor points are laid down flat and correctly in contact with the fixing surface itself. If not so, insert shimming profiles between the machine and the fixing lower surface, as indicated in **Fig. 4**.



- Execute 4 holes with 10 mm diameter on the floor by the holes on the bottom floor;
- insert the small blocks (excluded from supply) into the holes;
- fix the machine to the ground with 4 M8x80 mm screws (excluded from supply) (**Fig. 4 ref. 1**) (or with 4 8x80 mm stud bolts (excluded from supply)). Tighten the screws with an approximate tightening torque of 70 Nm.

9.2 Fixtures contained in the packing

The packing case contains also the fixtures box. Check that all the parts listed below are there (see Fig. 5).

For **LIBRAK380** model

Code	Description	N.
GAR345	Rapid locking ring nut + pressure ring	1
GAR111	Cones + protection cup	1
129571492	Gauge	1
1300A004	Weight pliers	1
999072	Carriages counterweight	1
GAR307	Wheels width external data gauge	1

For **LIBRAK380P** model

Code	Description	N.
GAR108	Bush + pressure ring	1
GAR111	Cones + protection cup	1
129571492	Gauge	1
1300A004	Weight pliers	1
999072	Carriages counterweight	1
GAR307	Wheels width external data gauge	1

For **LIBRAK380S** model

Code	Description	N.
GAR345	Rapid locking ring nut + pressure ring	1
GAR111	Cones + protection cup	1
129571492	Gauge	1
1300A004	Weight pliers	1
999072	Carriages counterweight	1
GAR305	Professional external data gauge	1

For **LIBRAK380PS** model

Code	Description	N.
GAR108	Bush + pressure ring	1
GAR111	Cones + protection cup	1
129571492	Gauge	1
1300A004	Weight pliers	1
999072	Carriages counterweight	1
GAR305	Professional external data gauge	1

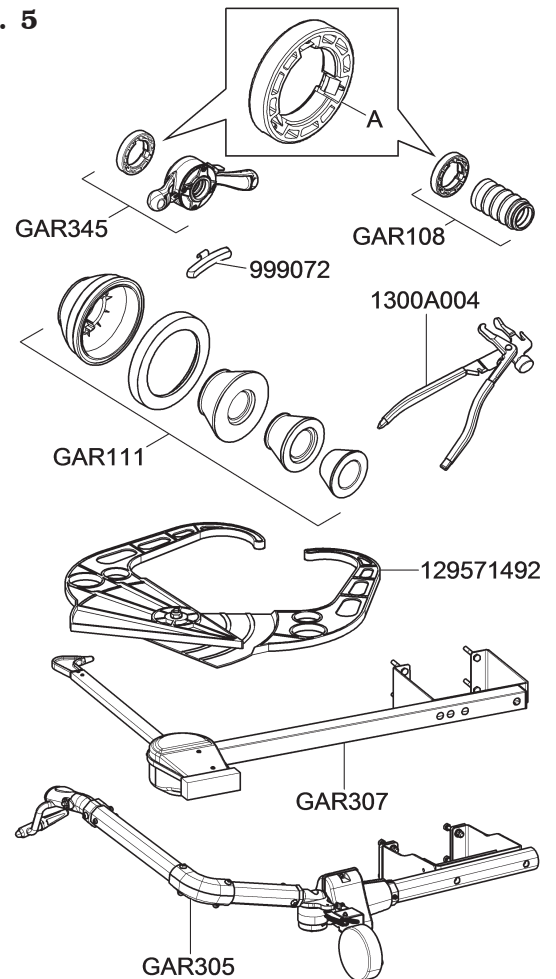
For **LIBRAK380W - LIBRAKWS** model

Code	Description	N.
GAR345	Rapid locking ring nut + pressure ring	1
GAR111	Cones + protection cup	1
129571492	Gauge	1
1300A004	Weight pliers	1
999072	Carriages counterweight	1

For **LIBRAK380PW - LIBRAKPWS** model

Code	Description	N.
GAR108	Bush + pressure ring	1
GAR111	Cones + protection cup	1
129571492	Gauge	1
1300A004	Weight pliers	1
999072	Carriages counterweight	1

Fig. 5



THE PRESSURE RING (FIG. 5 REF. A) MUST BE MOUNTED WITH THE TEETH OR DISCHARGE SIDE TOWARDS THE RING-NUT OR BUSH (SEE FIG. 5).

9.3 Assembly procedures

9.3.1 Fitting the mandrel on the flange

Only for LIBRAK380 - LIBRAK380S -
LIBRAK380W - LIBRAK380WS models

Screw with an Allen wrench the mandrel (Fig. 6 ref. 1) on the flange (Fig. 6 ref. 2).

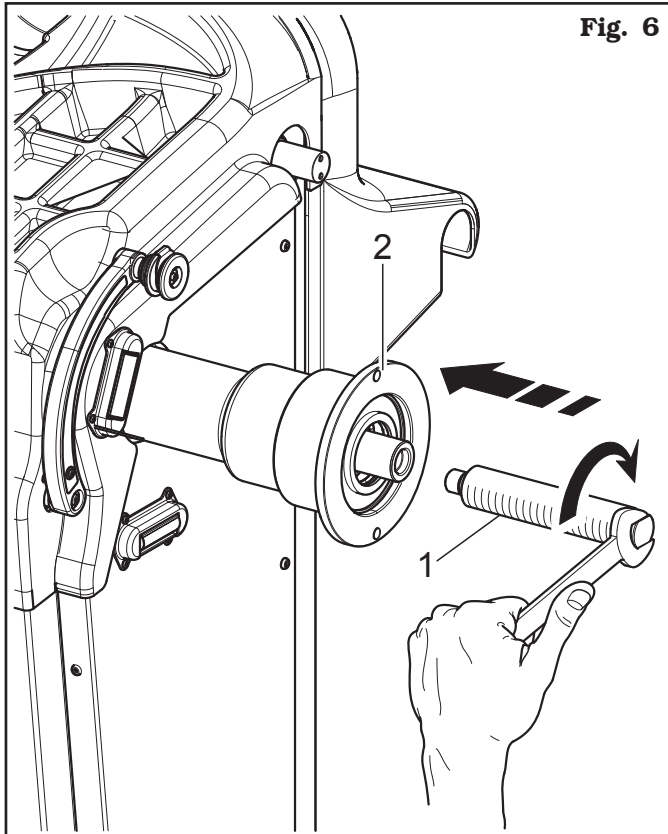


Fig. 6

9.3.2 Fitting and removal of the pneumatic mandrel on the flange

Only for LIBRAK380P - LIBRAK380PS -
LIBRAK380PW - LIBRAK380PWS models

FITTING

1. After making power and air connections switch on the machine (the pneumatic mandrel always opens when the machine is switched on). Switch the machine off. Fit the internal mandrel on the flange and tighten it with the wrench provided (Fig. 7 and ref. 8).

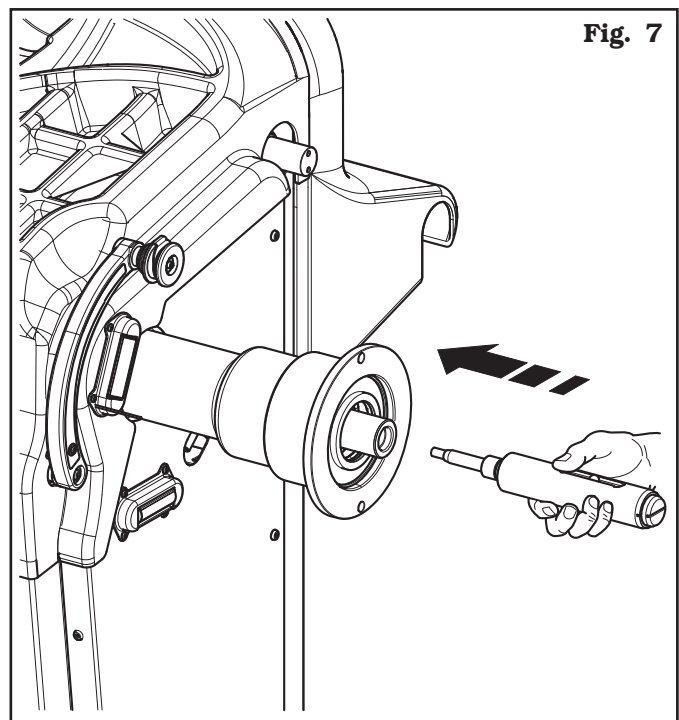


Fig. 7

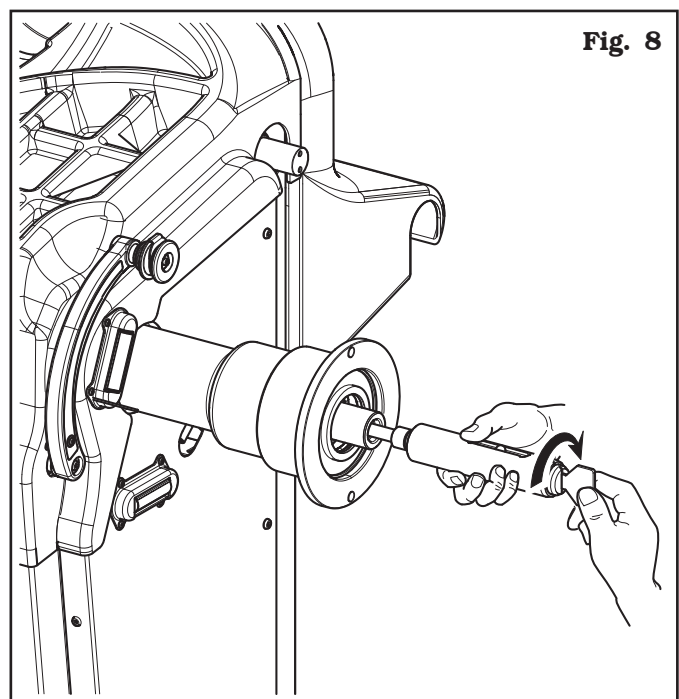
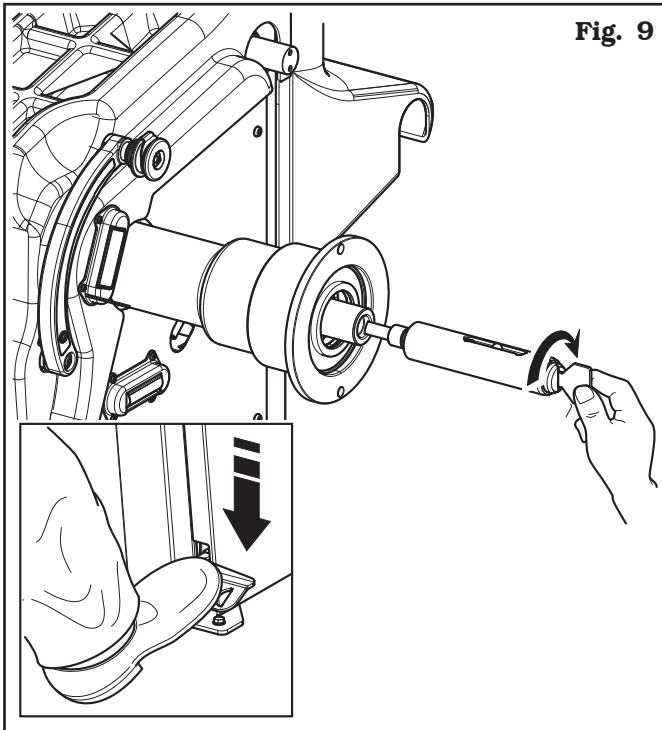
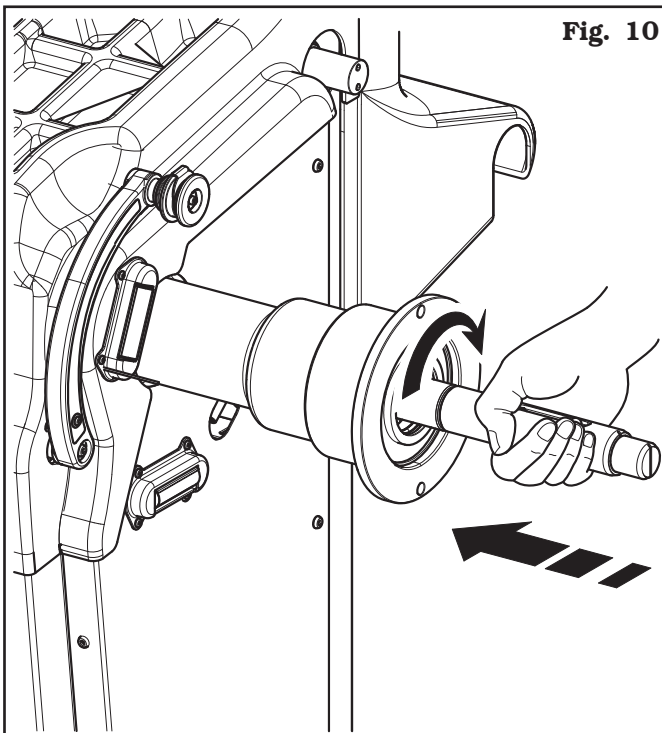


Fig. 8

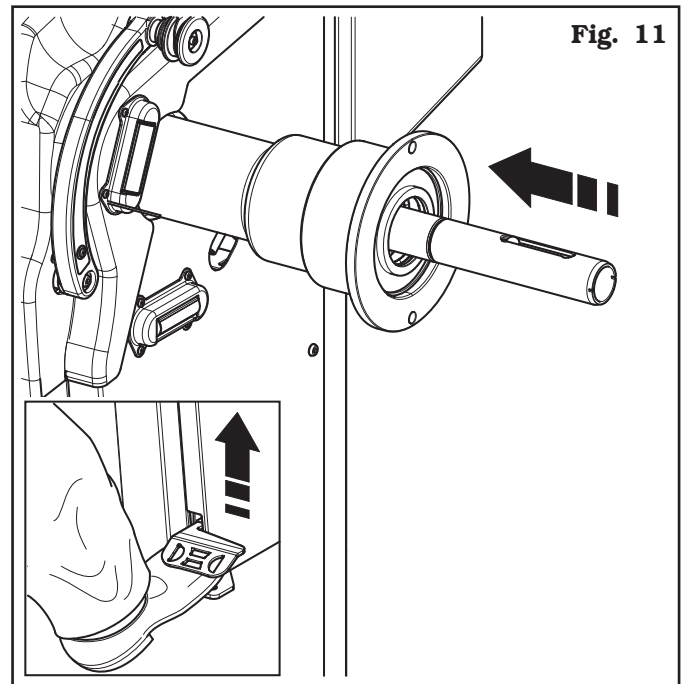
2. Press the brake's pedal and, at the same time, tighten the internal mandrel as far as it will go using the wrench provided (**Fig. 9**).



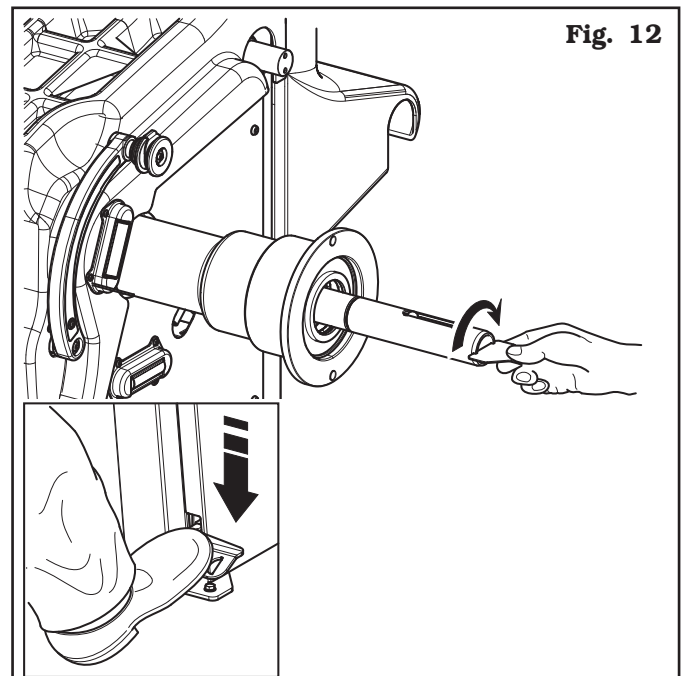
3. Fit the external mandrel and tighten it manually (**Fig. 10**).



4. Close the pneumatic mandrel by means of the pedal to access the key socket (**Fig. 11**).



5. Press the brake pedal and at the same time block the external mandrel using the wrench supplied (**Fig. 12**).



REMOVAL

- Close the pneumatic mandrel by means of the pedal provided to access the key socket (**Fig. 11**).
- Press the brake pedal and at the same time release the external mandrel by using the wrench supplied (**Fig. 12**).
- Remove the external mandrel, open the pneumatic mandrel by means of the pedal provided and loosen the internal mandrel using the special wrench (**Fig. 9**).

9.3.3 Fitting the protection guard

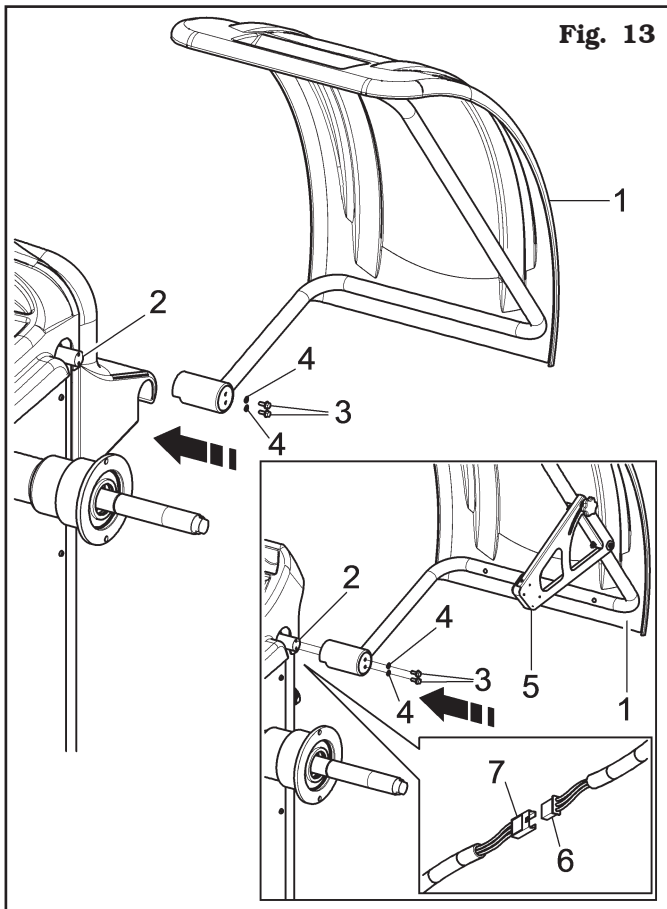
1. Mount the protection guard (**Fig. 13 ref. 1**) to the support (**Fig. 13 ref. 2**) using the screws (**Fig. 13 ref. 3**), interposing the Belleville washers (**Fig. 13 ref. 4**).
2. Tighten the screws (**Fig. 13 ref. 3**) in order to make the guard (**Fig. 13 ref. 1**) lift or lower without bumping against the limit switch. Carry out the adjustment so that it's possible to manually guide the guard both during closing and opening.



**DURING GUARD'S ASSEMBLY,
PAY ATTENTION TO THE MICRO
PLACED INSIDE THE MACHINE.**

**Only for LIBRAK380W - LIBRAK380PW -
LIBRAK380WS - LIBRAK380PWS models**

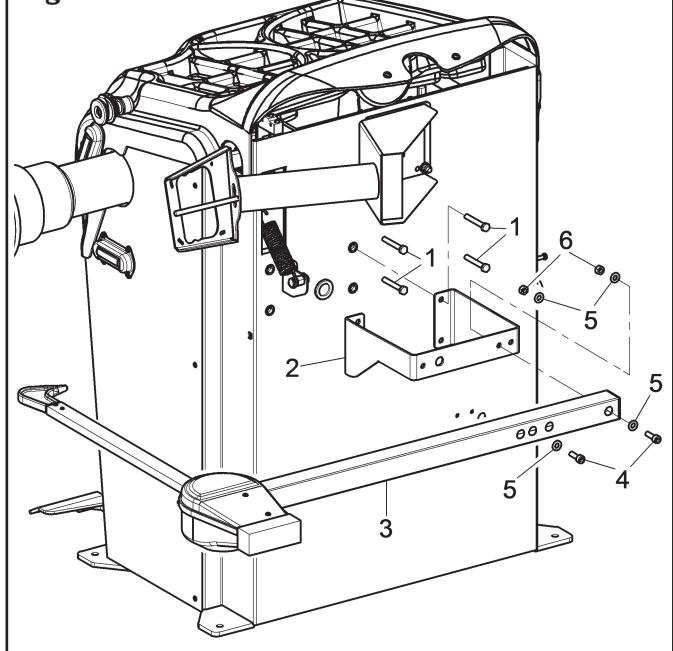
3. Connect the ultrasound sensor cable (**Fig. 13 ref. 6**) of the automatic width measuring device (**Fig. 13 ref. 5**) to the pre-arranged connector (**Fig. 13 ref. 7**).



9.3.4 Fitting of wheels width external data gauge (only for LIBRAK380 - LIBRAK380P models)

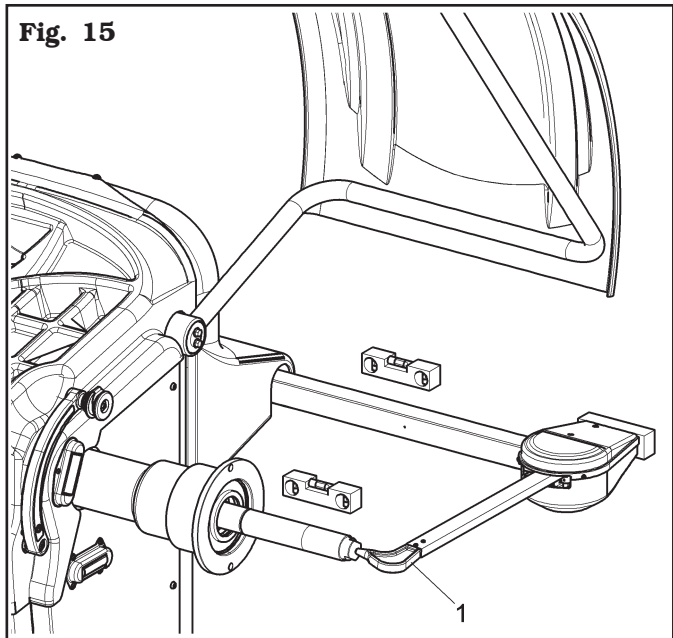
1. Introduce the 4 screws (**Fig. 14 ref. 1**) in the gauge bracket (**Fig. 14 ref. 2**) and screw them on the special threaded rivets placed on the rear side of the frame. Lock the gauge arm (**Fig. 14 ref. 3**) to the bracket (**Fig. 14 ref. 2**) using the 2 screws (**Fig. 14 ref. 4**) and the washers (**Fig. 14 ref. 5**). Lock the screws (**Fig. 14 ref. 4**) through the washers (**Fig. 14 ref. 5**) and the nuts (**Fig. 14 ref. 6**) so that the shaft and the gauge arm are levelled (see **Fig. 15**).

Fig. 14

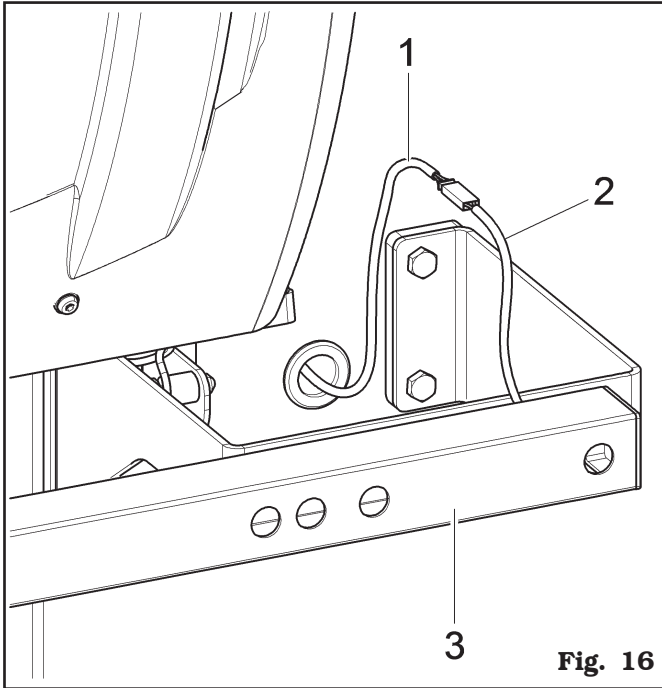


2. Also make sure the gauge tip (**Fig. 15 ref. 1**) is positioned at the centre of the mandrel.

Fig. 15



3. Connect connector (**Fig. 16 ref. 1**) of the cable coming from inside the machine to connector (**Fig. 16 ref. 2**) of the cable coming from the gauge arm. Fit the section of the cable with the connectors inside the arm (**Fig. 16 ref. 3**).
4. Fasten the cable with clamps.
5. Enable the external data gauge and carry out the device's calibration.

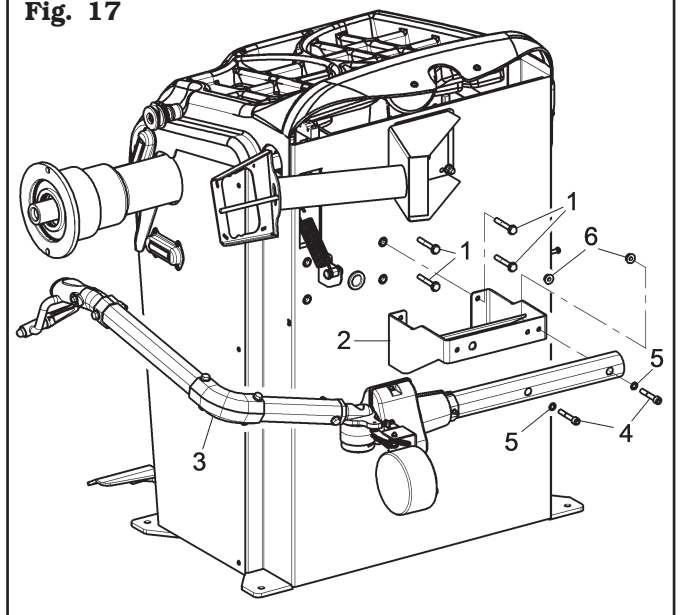


IF THE FRAME OF THE WHEEL BALANCER IS NOT EQUIPPED WITH THE 4 THREADED RIVETS, TO FIX THE GAUGE FIX THE BRACKET (Fig. 14 ref. 2) USING ONLY SCREWS (# 272038). BLOCK THE BRACKET FROM THE INSIDE WITH THE NUTS AND THE WASHERS SUPPLIED WITH THE DEVICE.

9.3.5 Fitting of professional external data gauge (standard for LIBRAK380S and LIBRAK380PS models) (optional for LIBRAK380 and LIBRAK380P models)

1. Introduce the 4 screws (**Fig. 17 ref. 1**) to the gauge bracket (**Fig. 17 ref. 2**) and screw them to the special threaded rivets placed on the rear side of the frame. Lock the gauge arm (**Fig. 17 ref. 3**) to the bracket (**Fig. 17 ref. 2**) using the 2 screws (**Fig. 17 ref. 4**) and the washers (**Fig. 17 ref. 5**). Lock the screws (**Fig. 17 ref. 4**) through the nuts (**Fig. 17 ref. 6**), so that the shaft and the gauge arm are levelled (see **Fig. 18**).

Fig. 17



2. Also make sure the gauge tip (**Fig. 18 ref. 1**) is positioned at the centre of the mandrel.

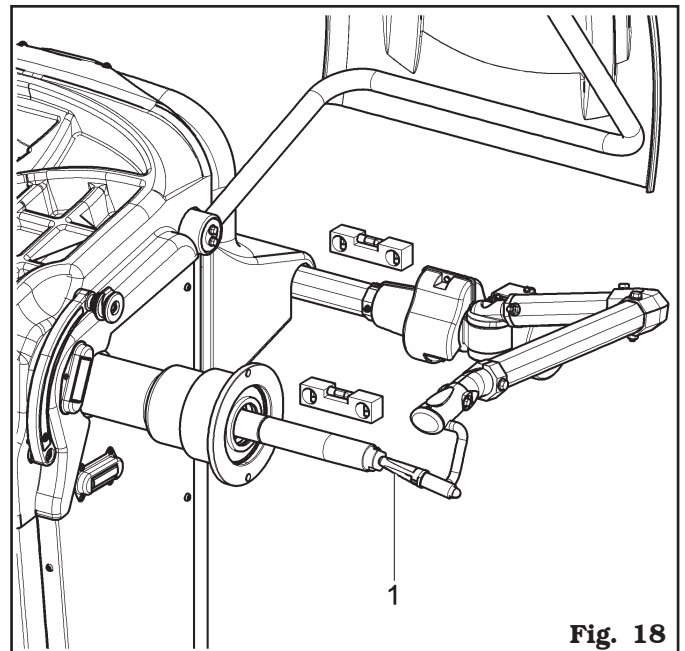


Fig. 18

3. Connect connector (**Fig. 19 ref. 1**) of the cable coming from inside the machine to connector (**Fig. 19 ref. 2**) of the cable coming from the gauge arm. Fit the section of the cable with the connectors inside the arm (**Fig. 19 ref. 3**).
4. Fasten the cable with clamps.
5. Enable the external data gauge and carry out the device's calibration.

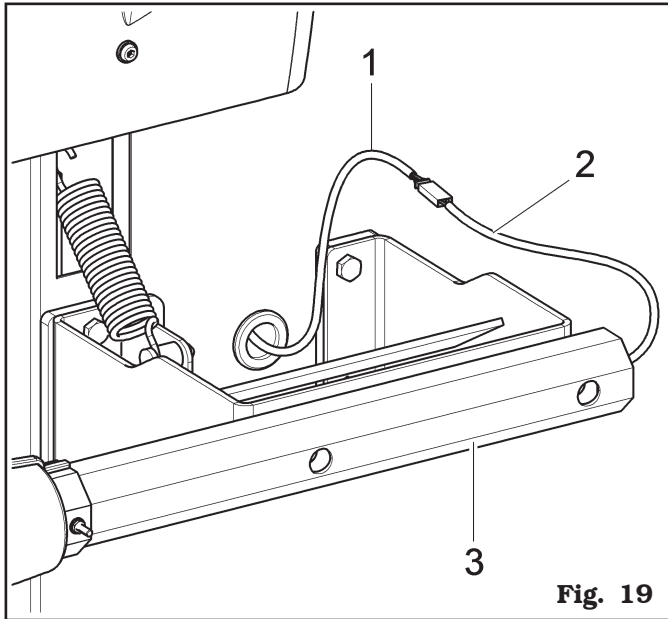


Fig. 19



IF THE FRAME OF THE WHEEL BALANCER IS NOT EQUIPPED WITH THE 4 THREADED RIVETS, TO FIX THE GAUGE FIX THE BRACKET (Fig. 17 ref. 2) USING ONLY SCREWS (# 272038). BLOCK THE BRACKET FROM THE INSIDE WITH THE NUTS AND THE WASHERS SUPPLIED WITH THE DEVICE.

9.3.6 Monitor fitting

1. Unscrew screws (**Fig. 20 ref. 1**) and the nuts (**Fig. 20 ref. 2**) from the screws (**Fig. 20 ref. 3**). Fit the support tube (**Fig. 20 ref. 4**) rotated through 90°. Then screw the previously unscrewed nuts and washers again.

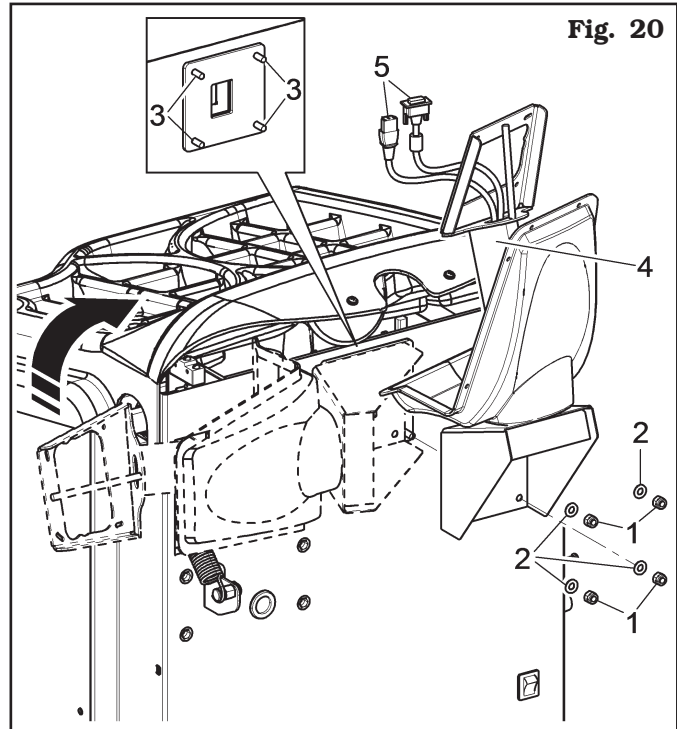


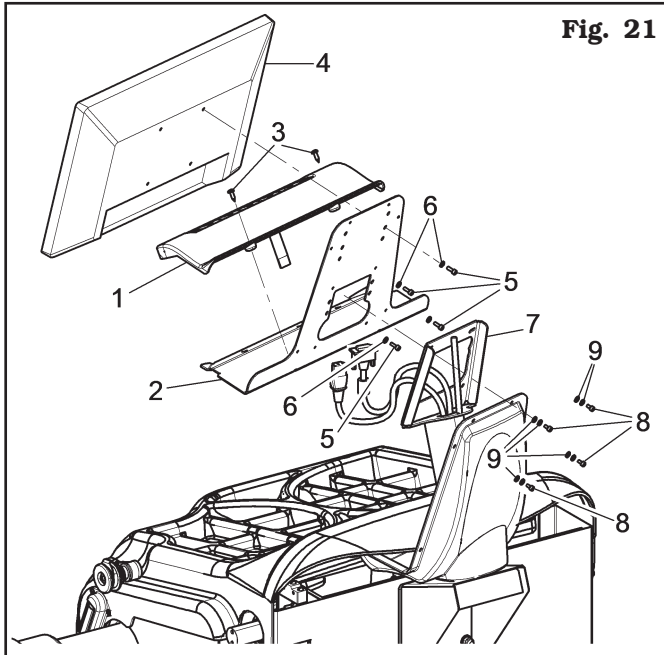
Fig. 20



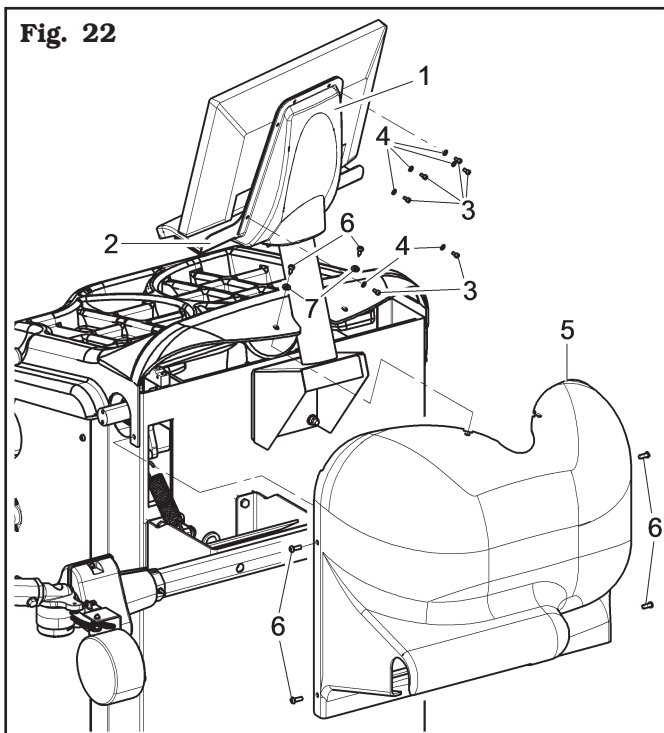
DURING THIS OPERATION PAY PARTICULAR ATTENTION TO THE POWER SUPPLY/SIGNAL CABLES OF THE MONITOR (FIG. 20 REF. 5) IN ORDER NOT TO DAMAGE THEM.

2. Connect the plugs on the power supply sockets and monitor signal. Connect the wiring of the keyboard.

3. Fix the keyboard (**Fig. 21 ref. 1**) to the support (**Fig. 21 ref. 2**) with the screws (**Fig. 21 ref. 3**). Fix the monitor (**Fig. 21 ref. 4**) to the support (**Fig. 21 ref. 2**) by means of the screws (**Fig. 21 ref. 5**) and washers (**Fig. 21 ref. 6**), equipped on issue. Fix the support (**Fig. 21 ref. 2**), complete with monitor and keyboard, to monitor support (**Fig. 21 ref. 7**) by means of the screws (**Fig. 21 ref. 8**) and the washers (**Fig. 21 ref. 9**), equipped on issue.

**Fig. 21**

4. Fix the guard (**Fig. 22 ref. 1**) to the support (**Fig. 22 ref. 2**) with the 6 screws (**Fig. 22 ref. 3**) and the washers (**Fig. 22 ref. 4**), equipped on issue.
5. Mount machine rear covering (**Fig. 22 ref. 5**) using the screws (**Fig. 22 ref. 6**) and washers (**Fig. 22 ref. 7**), equipped on issue.

**Fig. 22**

10.0 ELECTRICAL CONNECTIONS



EVEN THE TINIEST PROCEDURE OF AN ELECTRICAL NATURE MUST BE CARRIED OUT BY PROFESSIONALLY QUALIFIED STAFF.



BEFORE CONNECTING THE MACHINE MAKE SURE THAT:

- **THE MAIN POWER RATING CORRESPONDS TO THE MACHINE RATING AS SHOWN ON THE MACHINE PLATE;**
- **ALL MAIN POWER COMPONENTS ARE IN GOOD CONDITION;**
- **THE ELECTRICAL SYSTEM IS PROPERLY GROUNDED (GROUND WIRE MUST BE THE SAME CROSS-SECTION AREA AS THE LARGEST POWER SUPPLY CABLES OR GREATER);**
- **MAKE SURE THAT THE ELECTRICAL SYSTEM FEATURES A CUTOUT WITH DIFFERENTIAL PROTECTION SET AT 30 mA.**

Connect the machine up to the mains by means of the 3-pole plug provided (230 V single-phase).

If the plug provided is not suitable for the wall socket, fit a plug that complies with local and applicable regulations. This operation must be performed by expert and professional personnel.



FIT A TYPE-APPROVED (AS REPORTED BEFORE) PLUG TO THE MACHINE CABLE (THE GROUND WIRE IS YELLOW/GREEN AND MUST NEVER BE CONNECTED TO ONE OF THE TWO PHASE LEADS).



MAKE SURE THAT THE ELECTRICAL SYSTEM IS COMPATIBLE WITH THE RATED POWER ABSORPTION SPECIFIED IN THIS MANUAL AND APT TO ENSURE THAT VOLTAGE DROP UNDER FULL LOAD WILL NOT EXCEED 4% OF RATED VOLTAGE (10% UPON START-UP).



FAILURE TO OBSERVE THE ABOVE INSTRUCTIONS WILL IMMEDIATELY INVALIDATE THE WARRANTY.

10.1 Electrical checks



BEFORE STARTING UP THE WHEEL-BALANCER, BE SURE TO BECOME FAMILIAR WITH THE LOCATION AND OPERATION OF ALL CONTROLS AND CHECK THEIR PROPER OPERATION (SEE PAR. "CONTROLS").



CARRY OUT A DAILY CHECK OF MAINTAINED-TYPE CONTROLS CORRECT FUNCTIONING, BEFORE STARTING MACHINE OPERATION.

Once the plug/socket connection has been made, turn on the machine using the master switch (**Fig. 23** ref. 1).

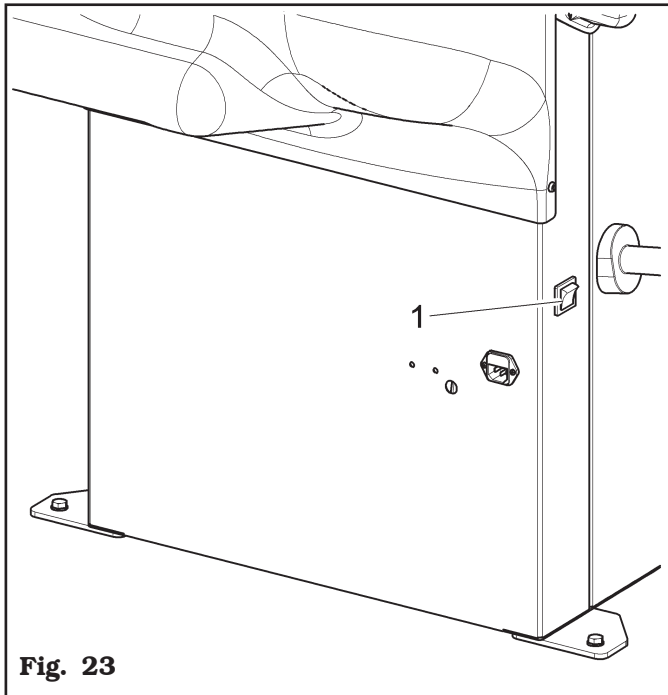


Fig. 23

11.0 AIR CONNECTION

Only for LIBRAK380P - LIBRAK380PS - LIBRAK380PW - LIBRAK380PWS models



IN CASE OF A CHANCE SUPPLY FAILURE, AND/OR BEFORE ANY PNEUMATIC CONNECTIONS, MOVE THE CONTROLS TO THE NEUTRAL POSITION.

Connect the wheel balancer to the centralised compressed-air system by means of the connection on the back of the machine (see **Fig. 24**).

The air system supplying the machine must be able to supply filtered and de-humidified air at a pressure between 8 and 10 bar. It must feature an on-off valve upstream of the machine.

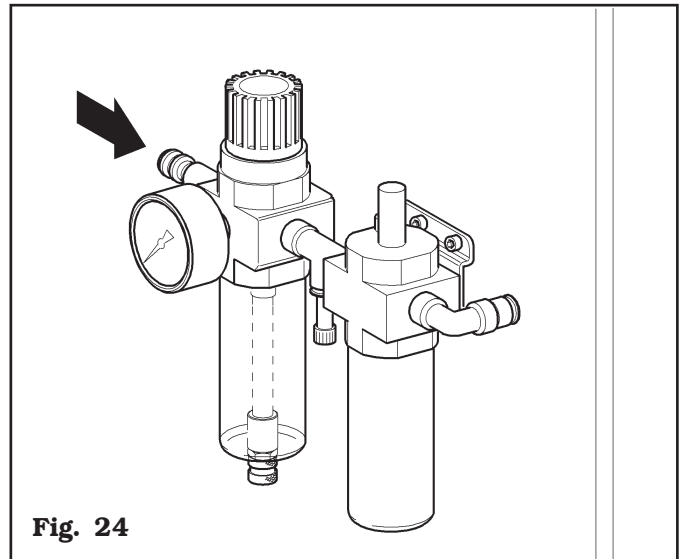


Fig. 24

12.0 FITTING THE WHEEL ON THE MANDREL



To achieve perfect balancing, the wheel must be carefully and properly fitted on the mandrel. Imperfect centring will inevitably cause unbalances.

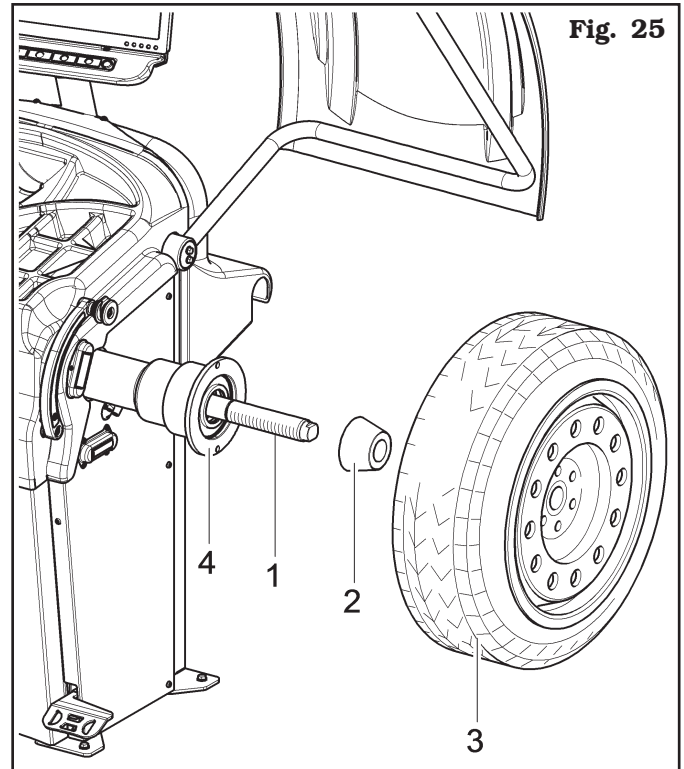


MOST IMPORTANT IS THAT ORIGINAL CONES AND ACCESSORIES ARE USED MADE SPECIFICALLY FOR USE ON THE WHEEL BALANCER.

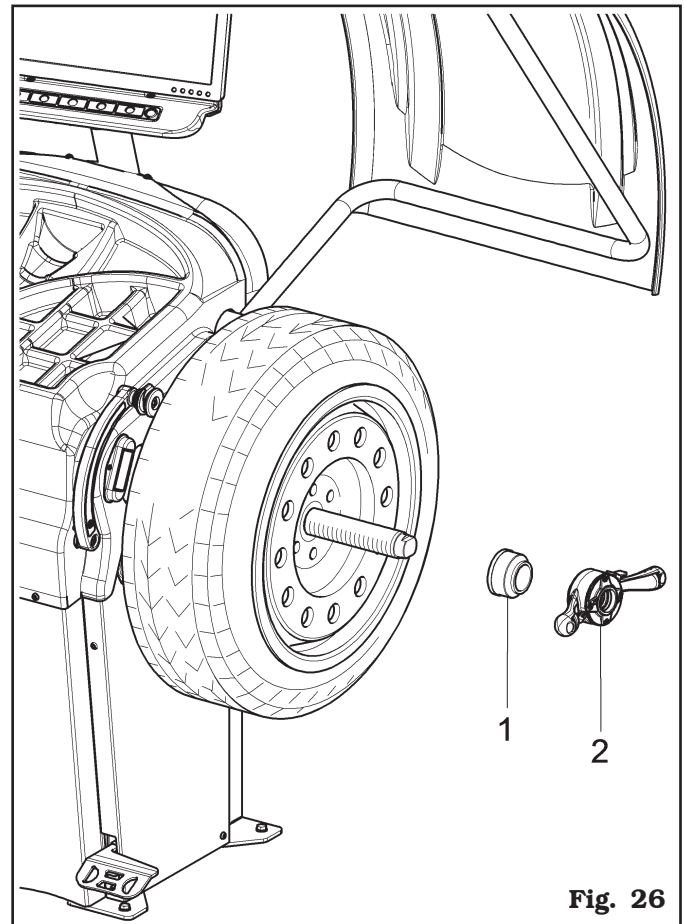
Wheel fitting using the cones provided is illustrated below. For alternative fittings, using optional accessories, refer to the special instructions provided separately.

12.1 Fitting of the wheel (LIBRAK380 - LIBRAK380S - LIBRAK380W - LIBRAK380WS)

1. Remove any type of foreign body from the wheel (**Fig. 25 ref. 3**); pre-existing weights, stones and mud, and make sure the mandrel (**Fig. 25 ref. 1**) and the rim centring area are clean before fitting the wheel on the mandrel.
2. Carefully choose the cone (**Fig. 25 ref. 2**) most suitable for the wheel to be balanced. These accessories must be selected according to the shape of the rim. Carefully position the wheel (**Fig. 25 ref. 3**), fitting the cone (**Fig. 25 ref. 2**) onto the mandrel (**Fig. 25 ref. 1**) carefully (otherwise this could seize) until this rests against the support flange (**Fig. 25 ref. 4**).
3. Fit the wheel with the inner side of the rim towards the wheel balancer and against the cone.

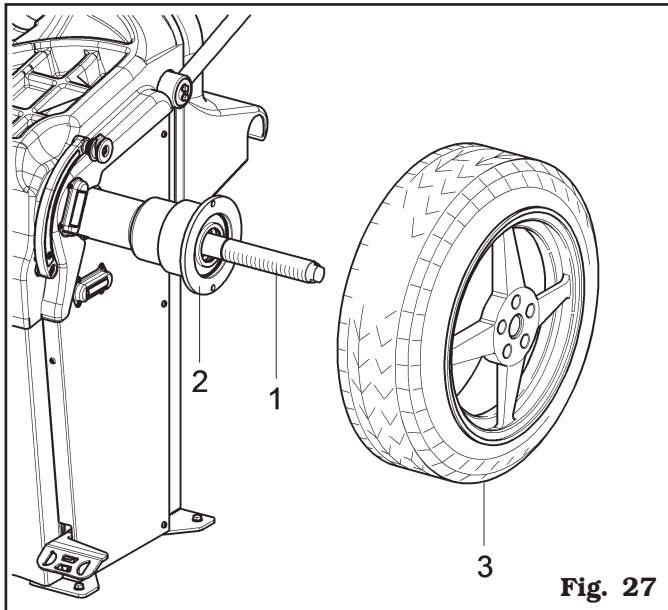


4. Fit the protection cap (**Fig. 26 ref. 1**) in the nut (**Fig. 26 ref. 2**) and fasten against the wheel.

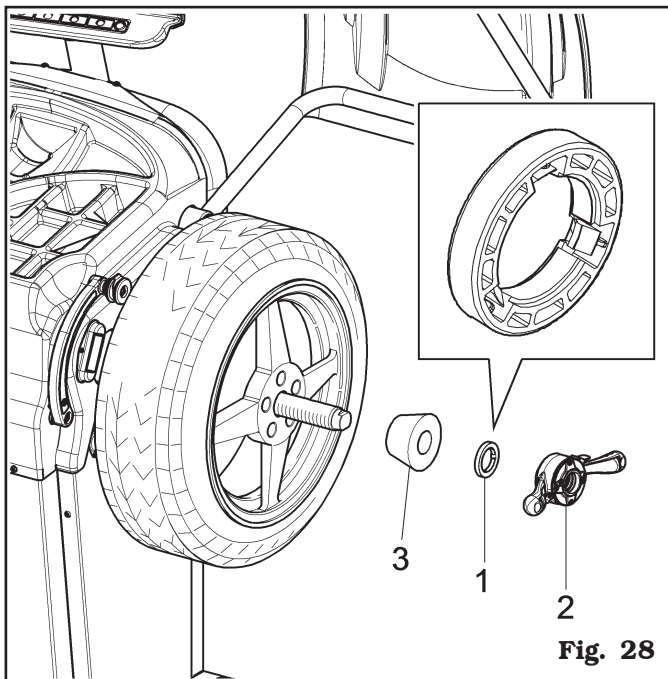


Some aluminium wheels, with very high centring, must be fitted with the cone outside the wheel.

- Clean the mandrel (**Fig. 27 ref. 1**) before fitting the wheel.
- Fit the wheel (**Fig. 27 ref. 3**) with the inside of the rim towards the wheel balancer, until the wheel is up against the support flange (**Fig. 27 ref. 2**).



- Fit the cone (**Fig. 28 ref. 3**) with the narrowest part turned towards the wheel.
- Fit the pressure ring (**Fig. 28 ref. 1**) in the nut (**Fig. 28 ref. 2**) and fasten the cone (**Fig. 28 ref. 3**).

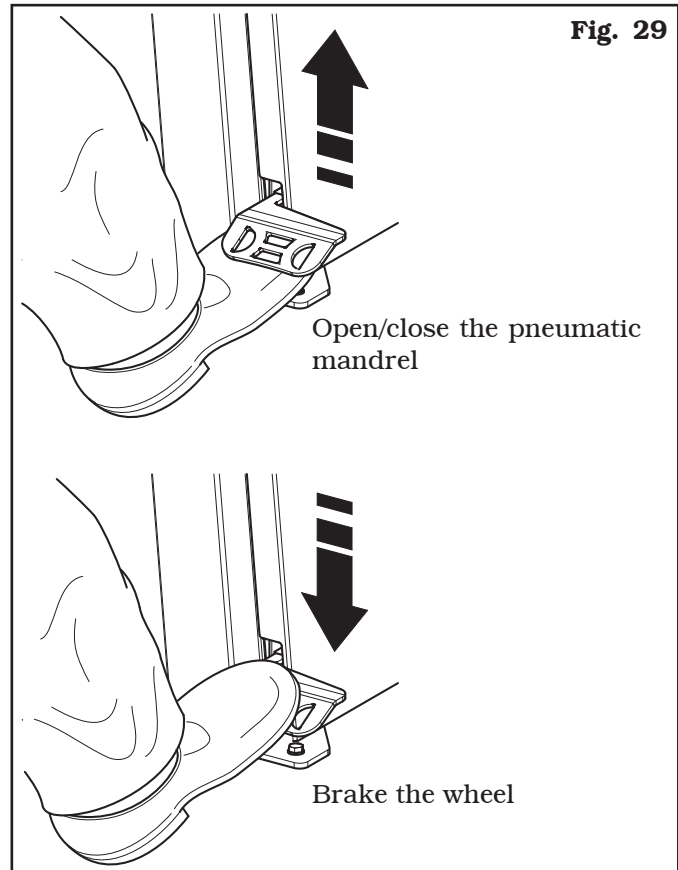


THE PRESSURE RING (FIG. 28 REF. 1) MUST BE MOUNTED WITH THE TEETH SIDE TOWARDS THE RING-NUT (FIG. 28 REF. 2).

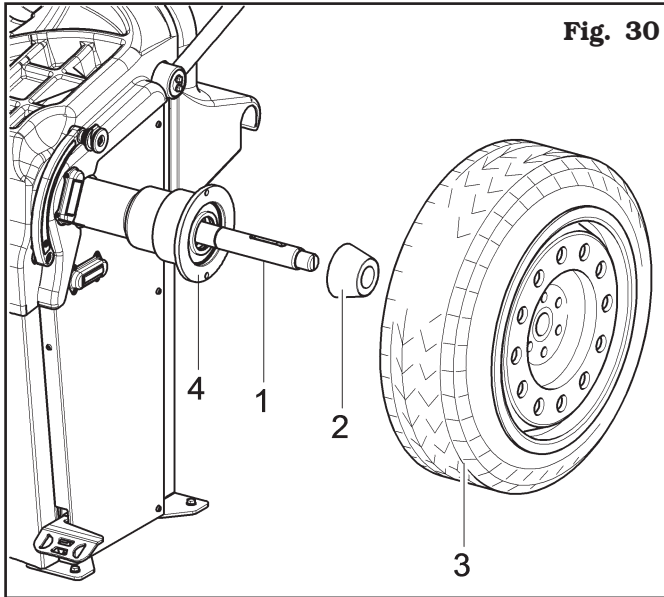
12.2 Fitting of the wheel (LIBRAK380P - LIBRAK380PS - LIBRAK380PW - LIBRAK380PWS)



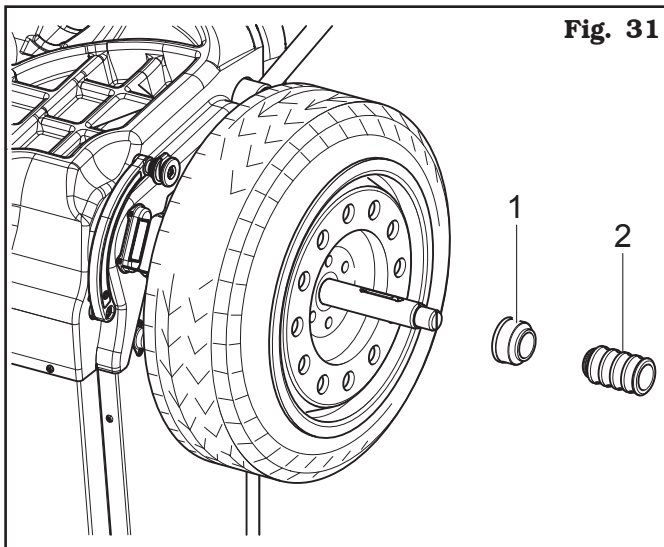
Open the pneumatic mandrel by means of the special pedal, see **Fig. 29**.



- Remove any type of foreign body from the wheel (**Fig. 30 ref. 3**): pre-existing weights, stones and mud, and make sure the mandrel (**Fig. 30 ref. 1**) and the rim centring area are clean before fitting the wheel on the mandrel.
- Carefully choose the cone (**Fig. 30 ref. 2**) most suitable for the wheel to be balanced. These accessories must be selected according to the shape of the rim. Carefully position the wheel (**Fig. 30 ref. 3**), fitting the cone (**Fig. 30 ref. 2**) onto the mandrel (**Fig. 30 ref. 1**) carefully (otherwise this could seize) until this rests against the support flange (**Fig. 30 ref. 4**).
- Fit the wheel with the inner side of the rim towards the wheel balancer and against the cone.



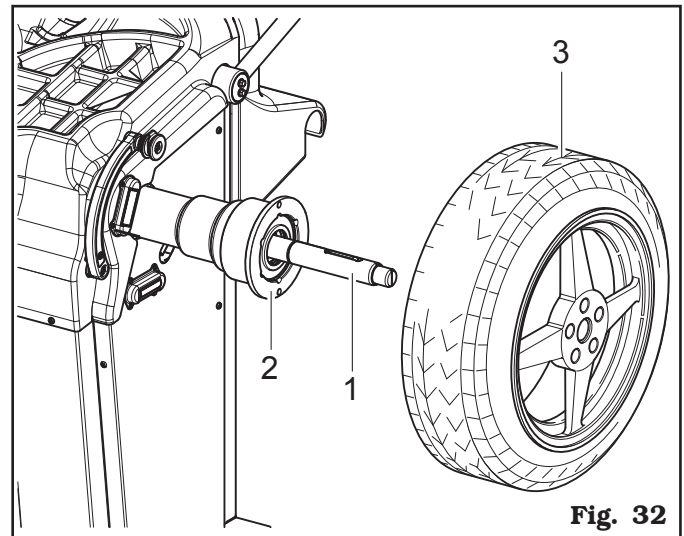
4. Fit the protection cap (**Fig. 31 ref. 1**) in the bush (**Fig. 31 ref. 2**) and bring everything against the wheel.



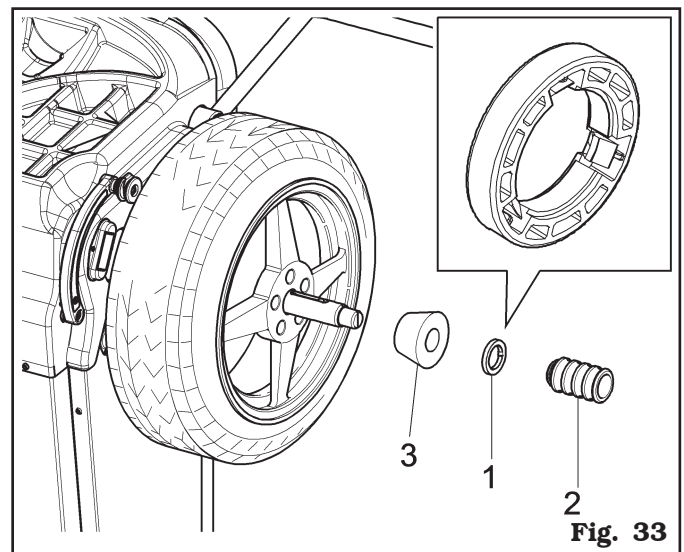
Lift the control pedal to close the mandrel and then clamp the wheel.

Some aluminium wheels, with very high centring, must be fitted with the cone outside the wheel.

5. Clean the mandrel (**Fig. 32 ref. 1**) before fitting the wheel.
6. Fit the wheel (**Fig. 32 ref. 3**) with the inside of the rim towards the wheel balancer, until the wheel is up against the support flange (**Fig. 32 ref. 2**).



7. Fit the cone (**Fig. 33 ref. 3**) with the narrowest part turned towards the wheel.
8. Fit the pressure ring (**Fig. 33 ref. 1**) in the bush (**Fig. 33 ref. 2**) and bring everything against the wheel.



THE PRESSURE RING (FIG. 33 REF. 1) MUST BE MOUNTED WITH THE DISCHARGE SIDE TOWARDS THE BUSH (FIG. 33 REF. 2).

9. Close the pneumatic mandrel by lifting the appropriate control pedal.



DURING MANDREL OPENING/CLOSING OPERATIONS, BE CAREFUL TO KEEP YOUR HANDS AND OTHER PARTS OF THE BODY AWAY FROM THE MANDREL.

12.3 Adjustment of ultrasound sensor support (only for LIBRAK380W - LIBRAK380PW - LIBRAK380WS - LIBRAK380PWS models)

Ultrasound sensor support (Fig. 34-35 ref. 1) must be used in the "fully-lowered" position, as shown in Fig. 34.

However with wheels with great diameter, you can set it higher so that the wheel can be mounted easily onto the mandrel (see Fig. 35).

In order to carry out the adjustment, just loosen the handwheel (Fig. 35 ref. 2) and place the support in the desired position.

At the end tighten the handwheel (Fig. 35 ref. 2).

Fig. 34

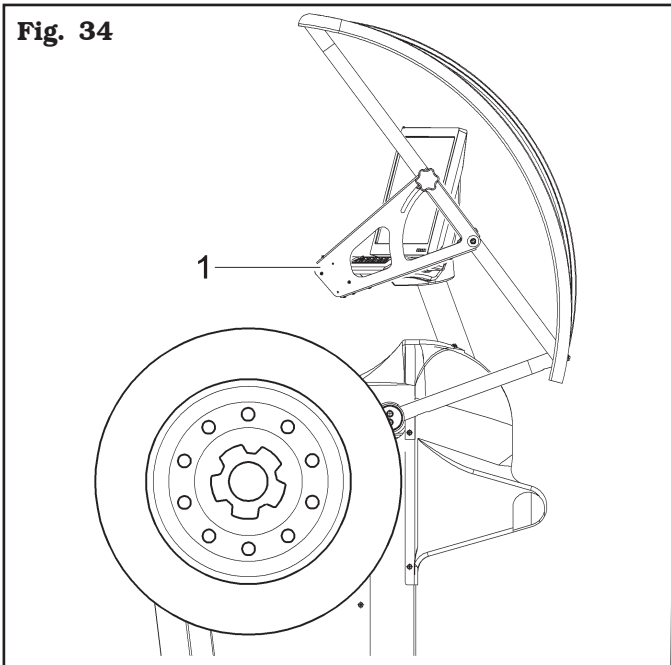
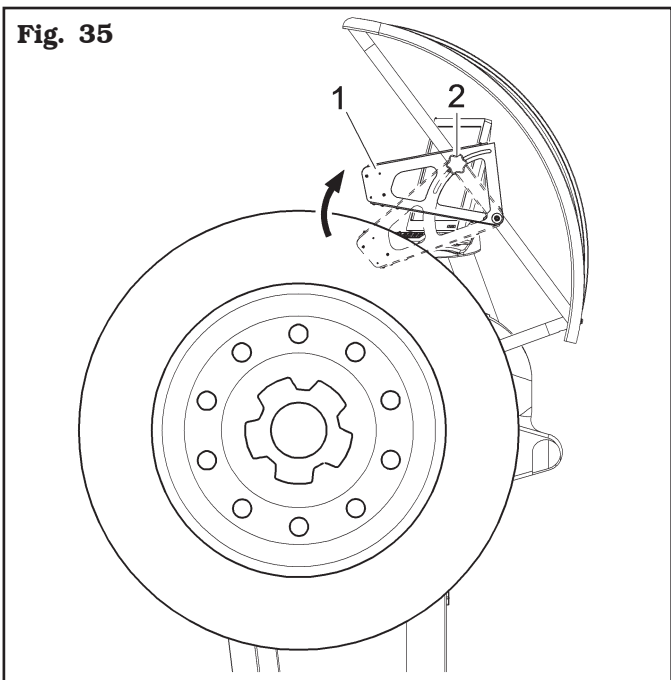


Fig. 35

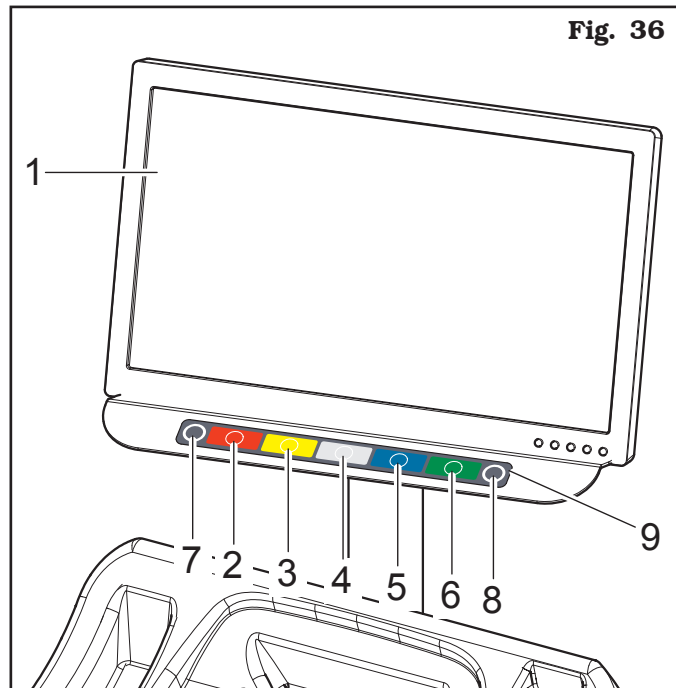


IF ACTIVATED, EACH TIME THAT THE WHEEL PROTECTION GUARD IS LOWERED, THE DEVICE DETECTS AUTOMATICALLY THE DIMENSION OF THE WHEEL WIDTH.

13.0 CONTROL PANEL

The wheel balancers are equipped with a control panel equipped with a keyboard to interact/operate the controls presented in graphical form on the monitor. On the monitor are displayed all the instructions for the correct wheel balancing, for example indicating where the operator shall fit adhesive or clip weights and the balancing mode and/or option used, as well as correct wheel rotation for inner/outer weights positioning.

Fig. 36



KEY

- 1 - Monitor
- 2 - Function push button (red)
- 3 - Function push button (yellow)
- 4 - Function push button (grey)
- 5 - Function push button (blue)
- 6 - Function push button (green)
- 7 - Previous page push button
- 8 - Next page/print push button
- 9 - Push-button panel (push-button panel with 7 keys)

14.0 WHEEL BALANCING

14.1 Switching the machine on and off

Press the "ON" switch (**Fig. 23 ref. 1**), located in the rear part of the equipment.



IN THE CASE OF PNEUMATIC MODELS, ON STARTING, THE PNEUMATIC MANDREL IS ALWAYS OPENED. ALWAYS KEEP YOUR HANDS AND OTHER PARTS OF THE BODY AWAY FROM THE MOVING MANDREL. ALSO TAKE CARE IF A WHEEL IS ALREADY FITTED ON THE MANDREL, AS THIS COULD BE FORCED OFF THE SHAFT DURING THE OPENING OF THE MANDREL ITSELF.

Wait a few seconds until the complete loading of the operational program. The equipment is ready to operate when the main screen "Home" appears on the monitor.

Fig. 37**KEY**

- A – Displaying operations/information area
- B – Colour identification buttons to use
- C – Function icons
- 1 – Programs and measurements acquisition buttons
- 2 – Wheel spin push-button
- 3 – Go to next page
- 4 – Pneumatic mandrel opening/closing (only for LIBRAK380P - LIBRAK380PS - LIBRAK380PW - LIBRAK380PWS models) (generally used in case of emergency)
- 5 – User management (if enabled) (user management function is disabled on machine delivery)

At the bottom of the main screen and each screen described below, there will be coloured rectangles (**Fig. 37 ref. B**) located above function identification icons (**Fig. 37 ref. C**). These functions are activated by pressing the appropriate coloured button on the push-button panel (**Fig. 36 ref. 9**). Press the button (**Fig. 37 ref. 3**) to display a second page where you can access the "Technical assistance" menu and the "Run-out" menu (see **Fig. 38**).

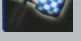
Fig. 38**KEY**

- 1 – User menu
- 2 – Run-out menu (visible only if the machine is fit or if the Run-out device is enabled)
- 3 – Return to previous page

In order to turn off the machine, simply press the main switch on "OFF" (**Fig. 23 ref. 1**).



WHEN THE EQUIPMENT IS TURNED OFF LOSES ALL THE MEASUREMENTS AND THE STORED DATA (SIZE, SPINS, USERS, ETC ...). AT RESTARTING,

PRESSING THE BUTTON  (IN THE CASE HAVE NOT YET BEEN STORED ON THE NEW MEASURES AFTER THE SWITCHING ON), THE MACHINE DOES NOT PERFORM ANY OPERATION.

14.2 Balancing programs setting

The setting of the balancing programs can be performed in two ways:

- through the gauge arm (rapid setting);
- through "Measurement being acquired" screen, ap-



pearing when the button is pressed (Fig. 37 ref. 1).

The setting modes are completely different even if they allow to reach the same result (but with different times).

14.2.1 Programs rapid setting and measurements through distance-diameter caliper arm

The use of the distance-diameter caliper arm allows the rapid automatic wheel balancing program and the measures entry. From page "Home":

- bring into contact the weights fitting gripper with the inner part of the rim (1 contact only) to select "STATIC" program (see Fig. 39).



Fig. 39



REPEATEDLY BRINGING THE GAUGE'S ARM (FIG. 40 REF. 1) IN CONTACT WITH THE MANDREL (FIG. 40 REF. 2), THE PROGRAM WILL CYCLE FROM "STATIC" TO "STATIC 1" TO "STATIC 2" THEN RETURNING TO THE BEGINNING.

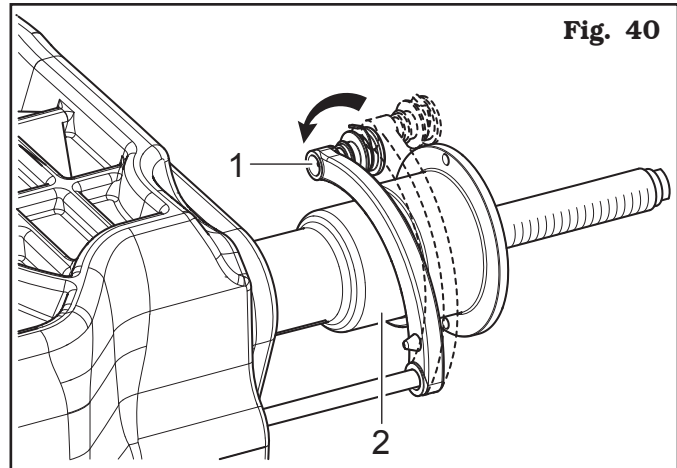


Fig. 40

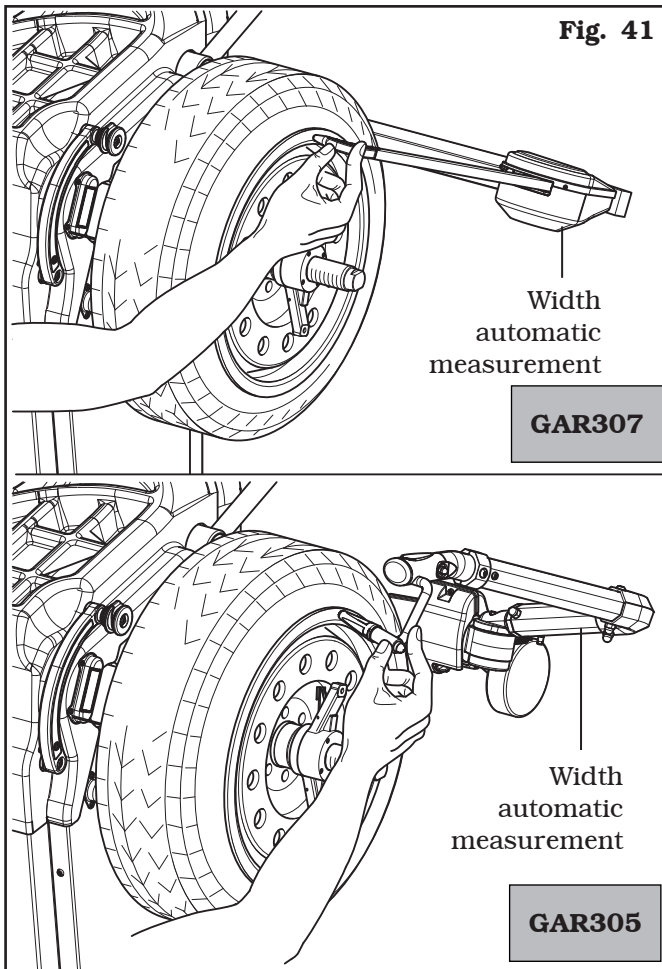
- bring into contact the weights fitting gripper with the inner part of the rim (2 contact points) (see Fig. 39) to select "ALU-S" program.




REPEATEDLY BRINGING THE GAUGE'S ARM (FIG. 40 REF. 1) IN CONTACT WITH THE MANDREL (FIG. 40 REF. 1), THE PROGRAM WILL CYCLE FROM "ALU-S" TO "ALU-S1" TO "ALU-S2" THEN RETURNING TO THE BEGINNING.

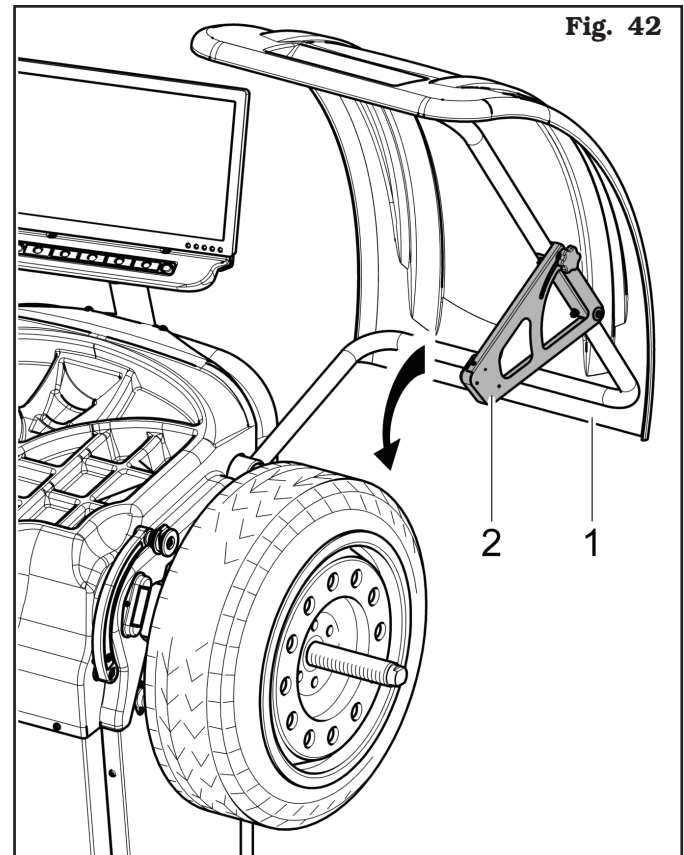


WHenever the distance-diameter caliper and/or the external data gauge (GAR307 or GAR305, see Fig. 41) (if any) is kept in position for a few seconds against the rim (until the machine makes an appropriate sound notification), the position is stored and the values measured in the pre-arranged fields in the selected wheel balancing program are loaded.



- After entering all the required measures, you can spin the wheel by pressing the button  and closing the protective guard.

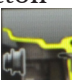
EACH TIME THAT THE WHEEL PROTECTION GUARD (FIG. 42 REF. 1) IS CLOSED, THE AUTOMATIC RIM WIDTH UNIT (GAR332) (FIG. 42 REF. 2) (IF PRESENT) MEASURES THE WIDTH OF THE WHEEL THAT IS MOUNTED ON THE MANDREL AND PERFORMS THE SPIN. THE RELEVANT VALUE IS STORED AUTOMATICALLY IN THE PRE-ARRANGED FIELD OF THE CHOSEN BALANCING PROGRAM.



• **Measuring procedure of electronic RUN-OUT with the distance-diameter caliper arm.**

The electronic RUN-OUT measuring device is useful to check if the rim has some imperfections. To access the screen to choose the rim control mode, proceed as follows:

- from the "Home" page, press the button 

(Fig. 43 ref. 1) and then the button  (see Fig. 44 ref. 1).

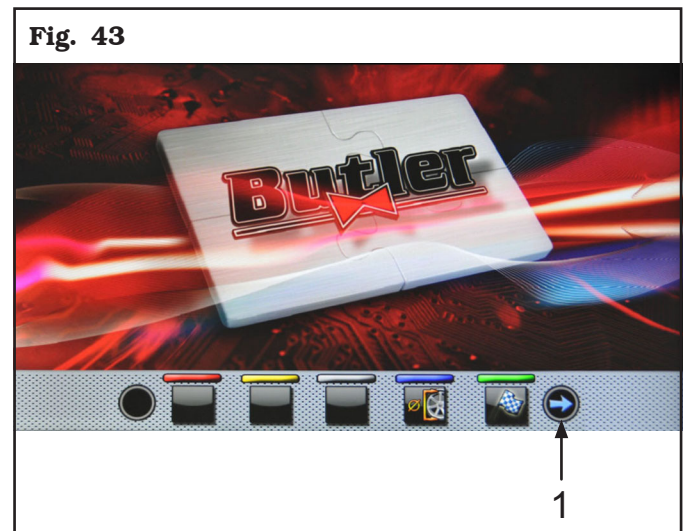
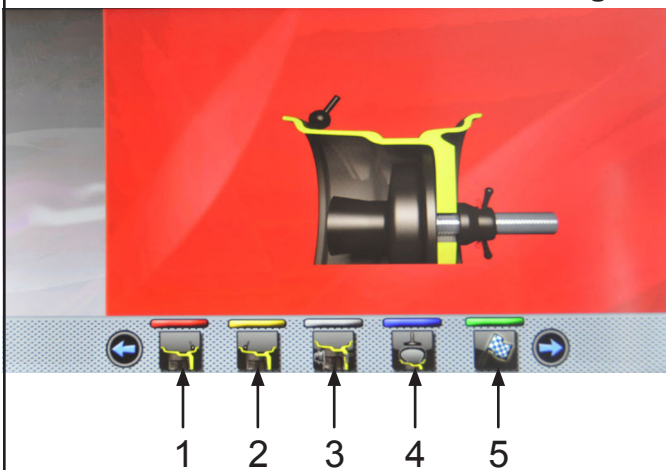


Fig. 44



- On the monitor you will see the screen below where there are buttons to select the type of flaw detection.

Fig. 45



- 1 - Rim inner right lateral fault detection (enabled only with GAR303)
- 2 - Rim inner left lateral fault detection (enabled only with GAR303)
- 3 - Rim inner lateral fault detection
- 4 - Tyre fault detection (enabled only with GAR303)
- 5 - Wheel spin push-button

Tyre fault detection (lateral inner side).

From the screen page of **Fig. 45** press the button (**Fig. 45 ref. 3**). The screen page below is displayed.

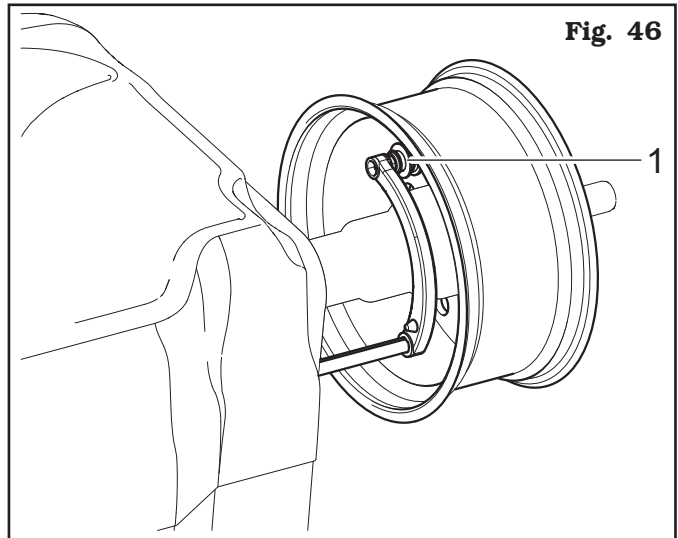


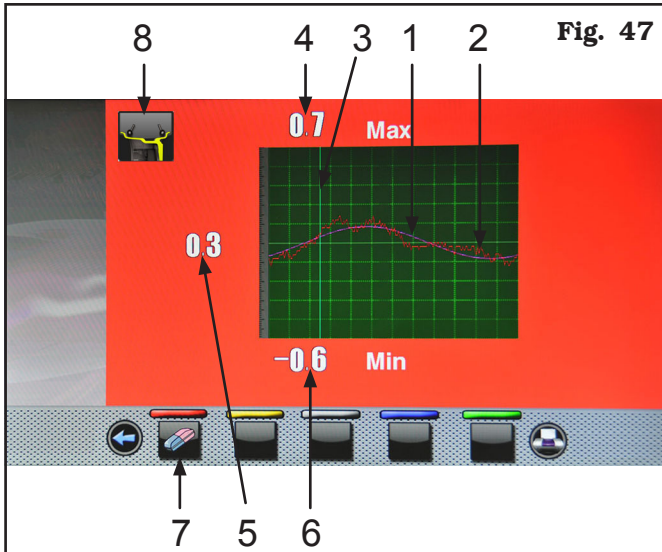
Place the distance-diameter caliper grippers (**Fig. 46 ref. 1**) on the inner side of the rim, as shown in **Fig. 46**.



Press the green button on the monitor (**Fig. 45 ref. 5**) to start the rim analysis procedure. The circle starts to spin at low speed (30 rpm) and at the end of the measurement the roundness graph appears, as shown in **Fig. 47**.

Fig. 46



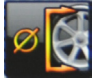


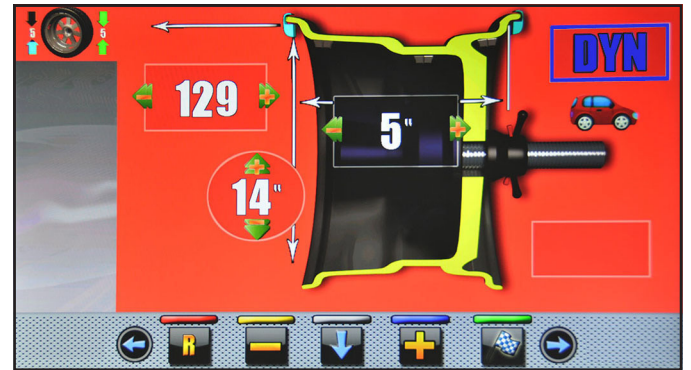
- 1 - Fundamental sine wave (fuchsia-coloured-graph)
- 2 - Graph of detected roundness (red)
- 3 - Slider that indicates the current position of the rim ("12 o'clock") (green)
- 4 - Value in mm of the highest peak of imperfection detected on the rim
- 5 - Value in mm of imperfection of the rim at the current position
- 6 - Value in mm of the lowest peak of imperfection detected on the rim
- 7 - Graph deleting button
- 8 - Run-out mode carried out where the data is displayed in the graph


The red graph (**Fig. 47 ref. 2**) represents exactly the geometric shape of the rim. The more the circle is round and linear, the more the graph is flat, unlike the more the circle has deficiencies, the more the graph is large.

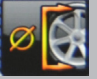

You can follow the eccentricity in the graph by manually turning the rim, the green-coloured-slider (**Fig. 47 ref. 3**), indicates the position of the rim in "12 o'clock" position.

14.2.2 Programs setting through "Measurement being acquired" screen page



From the "Home" page, press the  (**Fig. 37 ref. 1**) button to display the "Measurement being acquired" screen below:






PRESS THE BUTTON  **(Fig. 37 ref. 1) TO DISABLE AUTOMATIC FUNCTION OF DISTANCE-DIAMETER CALIPER ARM WHEEL BALANCING SELECTION, DESCRIBED IN PAR. 14.2.1. TO BE ABLE TO REUSE THE AUTOMATIC FUNCTION TO SELECT THE WHEEL BALANCING PROGRAM WITH GAUGE ARM, IT IS NECESSARY TO RETURN TO "HOME" PAGE, BY PRESSING THE**  **BUTTON**

The selection of the wheel balancing program is possible in 2 ways:


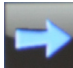
- with highlighted program (blue colour) by pressing the  or  until you see the desired program. With this mode only the 11 standard programs can be selected (DYN, ALU-S, ALU-S1, ALU-S2, STAT, STAT-1, STAT-2, ALU-1, ALU-2, ALU-3, ALU-4).



IF THE PROGRAM NAME IS NOT HIGHLIGHTED (BLUE), PRESS  **THE BUTTON REPEATEDLY UNTIL THE ABOVE CONDITION IS REACHED.**

- Press the button  to display the following programs selection screen page:



Use the arrows  and/or  to select the wished mode (blue). In this mode you can select the 11 standard programs (listed above) and special programs (PAX360, PAX420, PAX460, PAX700).



AFTER YOU HAVE SELECTED THE DESIRED PROGRAM, USE THE DISTANCE-DIAMETER CALIPER AND/OR THE EXTERNAL DATA GAUGE (GAR307 OR GAR305) (IF ANY) TO DETECT THE MEASURES REQUIRED BY THE PROGRAM.



WHENEVER THE DISTANCE-DIAMETER CALIPER AND/OR THE EXTERNAL DATA GAUGE (GAR307 OR GAR305, SEE FIG. 40) (IF ANY) IS KEPT IN POSITION FOR A FEW SECONDS AGAINST THE RIM (UNTIL THE MACHINE MAKES AN APPROPRIATE SOUND NOTIFICATION), THE POSITION IS STORED AND THE VALUES MEASURED IN THE PRE-ARRANGED FIELDS IN THE SELECTED WHEEL BALANCING PROGRAM ARE LOADED.



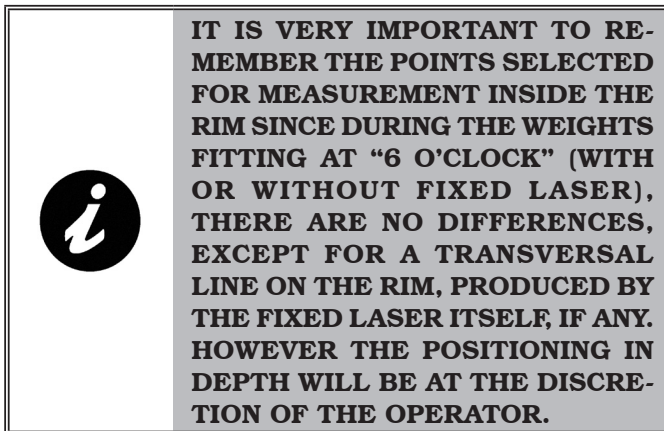
EACH TIME THAT THE WHEEL PROTECTION GUARD IS CLOSED; THE AUTOMATIC RIM WIDTH UNIT (GAR332) (FIG. 1 REF. 20) (IF PRESENT) MEASURES THE WIDTH OF THE WHEEL THAT IS MOUNTED ON THE MANDREL. THE RELEVANT VALUE IS STORED AUTOMATICALLY IN THE PRE-ARRANGED FIELD OF THE CHOSEN BALANCING PROGRAM.

- After entering all the required measures, you can spin

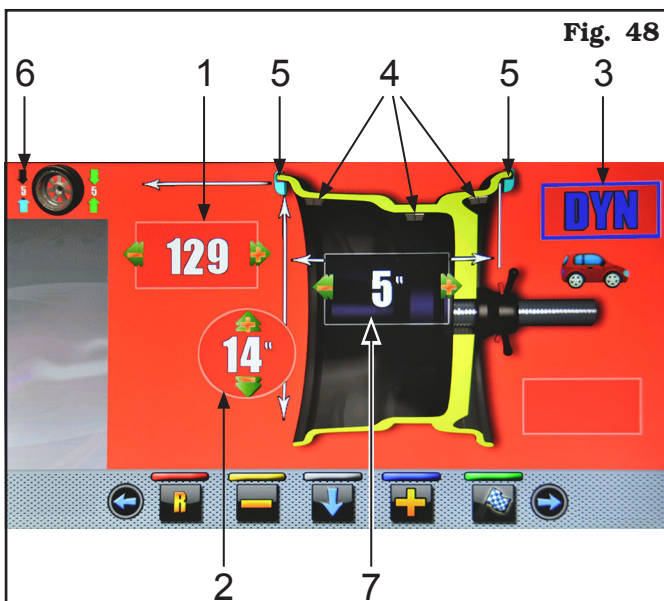


the wheel by pressing the button  and closing the protective guard.

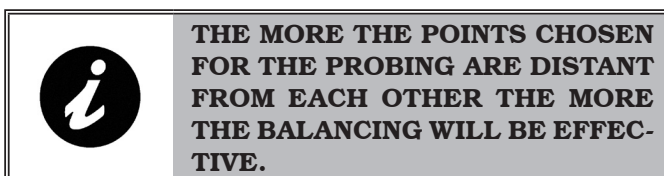
14.3 Indicative display of points where to detect measures/to fit weight



Depending on the type of program selected, the machine shows on the monitor the guideline points where to take measures and, consequently, where you must apply weights (**Fig. 48 ref. 4-5**).

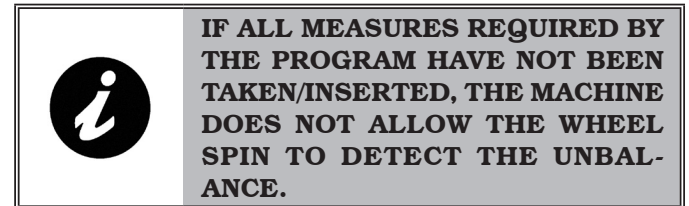
**KEY**

- 1 - 1st weight fitting point distance
- 2 - Rim diameter
- 3 - Balancing mode
- 4 - Point at which to take the measure/adhesive weight fitting
- 5 - Point at which to take the measure/clip weight fitting
- 6 - Last unbalance detected by the machine
- 7 - Rim width



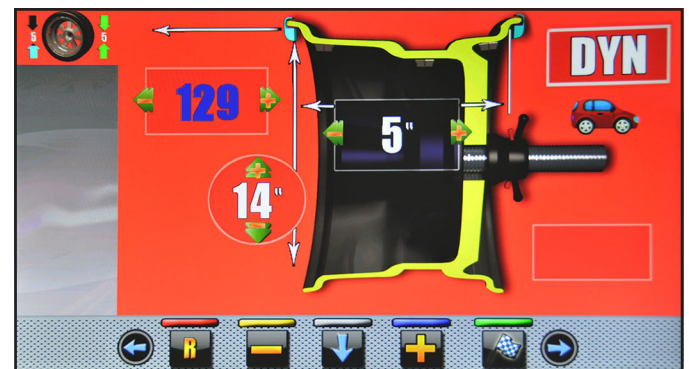
14.3.1 Weights positioning


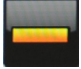

The monitor displays when it is absolutely necessary that the weight is applied at "12 o'clock" position. Pay particular attention to the content of the weights identification icons since if the following words **H 12** are displayed, then the icon corresponding weight has to be applied at "12 o'clock" position (typical of ALU-S1, ALU-S2 programs).

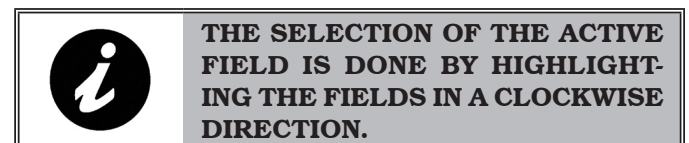


14.4 Displaying the active/modifiable field

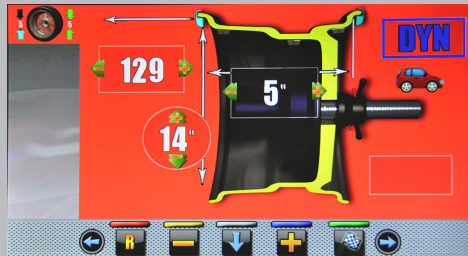
During the various phases of measures detection, the active field turns blue.



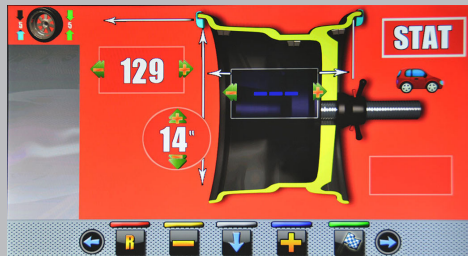
Pressing the buttons  or  you can change the value and/or program inside the active field. To change the selected active field, simply press the button  until the desired field is coloured blue.



NORMALLY DURING THE DETECTION OF MEASUREMENTS, THE 1ST ACTIVE FIELD WILL BE THE ONE FOR THE SELECTION OF THE PROGRAM.



THERE IS A CASE, HOWEVER, IN WHICH THE 1ST ACTIVE FIELD WILL BE THE RIM WIDTH.

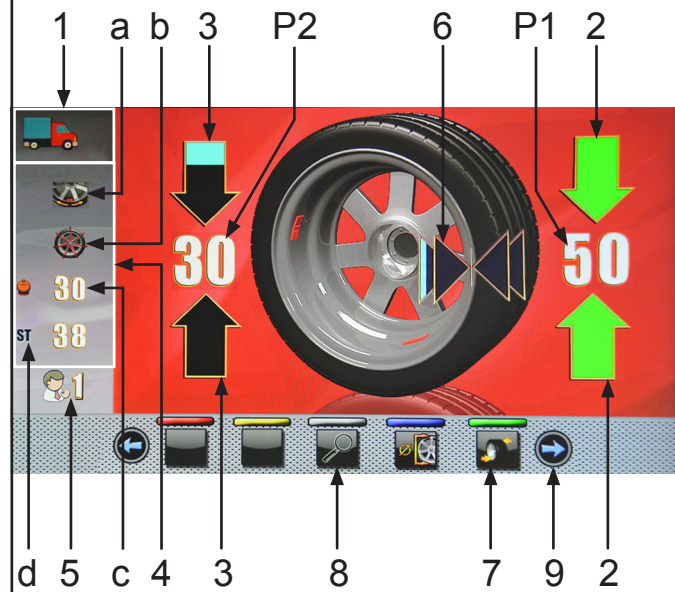


THIS CASE WILL OCCUR ONLY IF FROM "HOME" PAGE IS DETECTED ONLY ONE MEASUREMENT INSIDE THE RIM. THE PROGRAM WILL AUTOMATICALLY SET TO "STATIC" BUT IT WILL MAKE IT POSSIBLE (IN CASE OF ABSENCE OF EXTERNAL DATA GAUGE) TO MANUALLY ENTER RIM WIDTH AND TO QUICKLY SWITCH TO THE PROGRAM "DYNAMIC".


14.5 Wheel balancing screen page description

After executing the spin of the wheel, the monitor displays a series of important information that helps the operator in his operations and subsequent choices.

Fig. 49



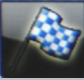
KEY

- 1 - Measures used by the program to perform the spin and detect the values in P1 - P2
- P1 - Weight to be fitted on rim outer side
- P2 - Weight to be fitted on rim inner side
- 2 - Wheel placed to fit the weight on wheel outer side (arrows both green)
- 3 - Wheel not placed to fit the weight on wheel inner side (blue/black arrows)
- 4 - Wheel balancing suggestions
- 4a - SPLIT Program (Clip weights program) or MATCHING Program
- 4b - SPOKES Program (program with adhesive weights)
- 4c - ECO-WEIGHT Program with weight value to be fitted (if the value is of blue, the machine advises not to use it)
- 4d - STATIC Program
- 5 - N° user (if selected)
- 6 - Arrows indicating the weight fitting point with distance-diameter caliper arm
- 7 - Wheel repositioning button for weights fitting
- 8 - Display the actual weight
- 9 - By pressing the button  you will see the following page where you can select one of the programs suggested by the machine.



**IF THE GUARD AND REPOSITION-
ING FUNCTION ARE DISABLED,
ON POS. 7 (FIG. 49) BUTTON YOU**



**WILL SEE THE  ICON THAT
WILL ALLOW WHEEL SPIN WITH-
OUT RETURNING TO THE PREVI-
OUS PAGE. THE POSITIONING OF
THE WHEEL FOR THE APPLICA-
TION OF THE WEIGHTS MUST BE
DONE MANUALLY.**

14.5.1 Balancing mode

The machine has the ability to perform the wheel bal-
ancing (weights fitting) in 3 different ways:

- using the distance-diameter caliper arm with weights fitting grippers;
- using the mobile laser pointer at "6 o'clock" (only for LIBRAK380S - LIBRAK380PS - LIBRAK380WS - LIBRAK380PWS models);
- weights fitting at "6 o'clock" (without the use of lasers).

• **Weights fitting with distance-diameter caliper arm.**

1. Place the adhesive weight on the arm grippers.

Fit the adhesive weight
in the pliers of the gauge rod



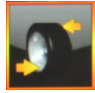
2. Pull out the gauge until the arrows (**Fig. 49 ref. 6**) both turn green.
3. Rotate the gauge arm until the weight touches the rim.

Fit weight on the position
where pliers touches the wheel



4. Bring the distance-diameter caliper arm in resting position, after having led it towards the mandrel to unlock it from the position of weight application.



5. Press the  button to change the weight fitting side.
6. Proceed in the same way as described in points 1-2-3.



BEFORE REMOVING THE DIAMETER-DISTANCE CALIPER, PRESS THE BRAKE PEDAL AND HOLD IT DOWN UNTIL THE WEIGHT HAS NOT BEEN APPLIED, ENSURING IN THIS WAY THAT, DURING THESE PHASES, THE WHEEL CAN NOT ROTATE.

- **Weights' application with mobile laser pointer at "6 o'clock" (only for LIBRAK380S - LIBRAK380PS - LIBRAK380WS - LIBRAK380PWS models).**



ON DELIVERY, THE MACHINE IS CONFIGURED WITH THE CORRESPONDING OPTION DESELECTED. TO USE THIS MODE, IT IS NECESSARY THAT THE RELEVANT FUNC-

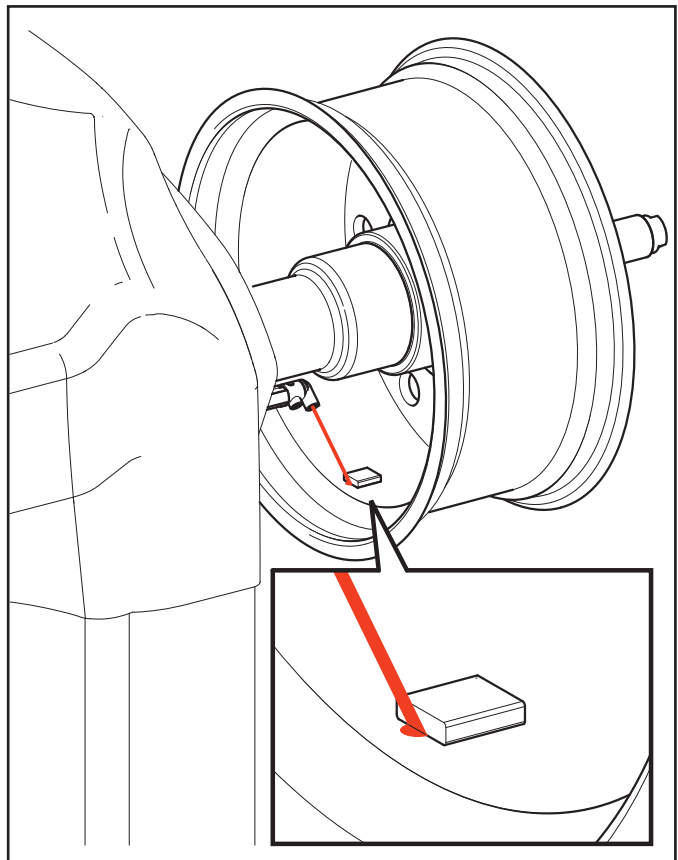


TION IS ENABLED ON THE MENU "OPTIONS" DESCRIBED IN PAR. 15.1.

At the end of the spin, on the rim at "6 hours" is displayed a laser pointer indicating the exact point where the weight has to be applied.




THE WEIGHT HAS TO BE APPLIED FROM THE POINT HIGHLIGHTED BY THE POINTER TOWARDS THE INSIDE OF THE RIM, AND ITS CENTRE LINE MUST BE RIGHT BY THE SAME POINTER (SEE FIGURE BELOW).



- Weights fitting at "6 o'clock" (without the use of lasers).



TO USE THIS MODE, IT IS NECESSARY THAT THE RELEVANT FUNCTION IS ENABLED  ON THE MENU "OPTIONS" DESCRIBED IN PAR. 15.1.



TO USE THIS WEIGHT APPLICATION MODE THE OPERATOR MUST REMEMBER THE PRECISE POINT WHERE THE MEASUREMENT WAS TAKEN WITH THE DISTANCE-DIAMETER CALIPER ARM.



USING THIS MODE, THE MACHINE ALLOWS YOU TO APPLY ANY ADHESIVE WEIGHTS THAT WOULD BE APPLIED TO "12 HOURS" TO "6 O'CLOCK". IF, AFTER YOU ENABLE THIS MODE, ON BALANCING PROGRAM APPEARED AGAIN THE **H 12** ICON (ONLY IN THIS CASE) THE ADHESIVE WEIGHT WILL BE APPLIED TO "12 HOURS".

At the end of the spin, the wheel stops in place to apply the weight at "6 o'clock". The positioning of the weight (s) in depth shall be at the discretion of the operator, depending on where remembers taking the measure.



BE SURE TO APPLY THE (INTERNAL OR EXTERNAL) WEIGHT AS INDICATED BY THE 2 GREEN ARROWS (Fig. 49 ref. 2 or 3) ON THE CORRESPONDING MONITOR SCREEN PAGE.

14.6 Use of machines with disabled automatic gauge

The entry of diameter, width and distance measures of the machine rim must be performed manually. The reading of these measures can be made as follows:

- visual readout on caliper graduated scale (distance);
- values readout on rim (diameter and width);
- width value detection with manual caliper (width) (see Fig. 50).



MANUAL CALIPER.
Width manual detection

Fig. 50

14.6.1 Manual setting of wheel dimensions

In case the operator wants to edit and/or manually enter the wheel dimensions, proceed as follows:

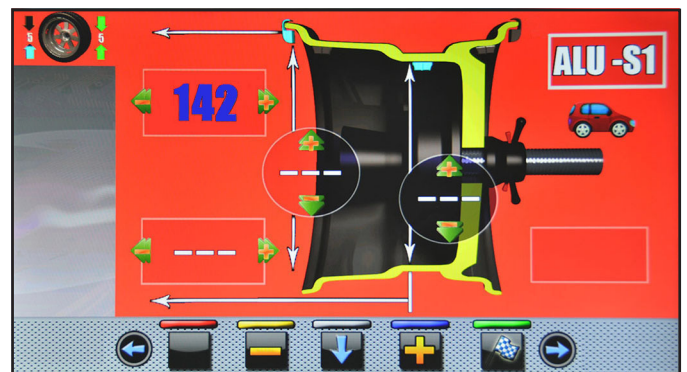
- from the desired measurement mode screen, press



the button  until highlighting with blue the field to modify/edit;

- press the buttons  or  until reaching the desired value;

- press button  to shift to the next value.

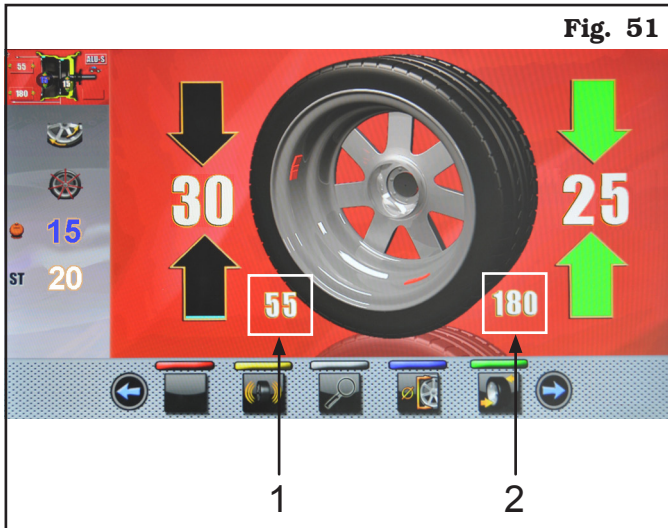


After entering all the required measures, you can spin



the wheel by pressing the button and closing the protective guard.

NOTE: if the distance-diameter caliper is disabled, the displayed page for detected unbalance is as follows:



In this screen page, in addition to the information of the detected unbalance, there are measurements in mm at which you must remove the caliper's arm (Fig. 51 ref. 1-2) to apply the weights inside the rim.

14.7 Standard balancing programs

14.7.1 Static

The STATIC program permits balancing wheels by fitting adhesive weights on the outer and inner sides of the rim. Enter the measurements (see Par. 14.2.1 or 14.6.1) and proceed as described in Par. 14.5.

At the end of the procedure, the wheel balancing conditions can be checked by performing a trial spin.



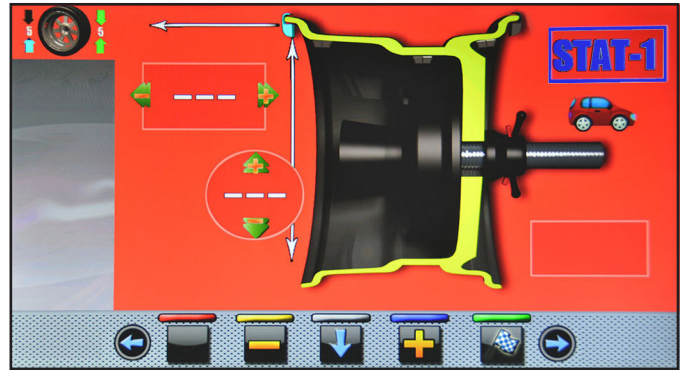
The procedure has now been completed.

14.7.2 Static-1

STATIC 1 function is a procedure that offsets wheel vibrations using a single weight with clip on a single plane positioned exactly at 12 o'clock.

Enter the measurements (see Par. 14.2.1 or 14.6.1) and proceed as described in Par. 14.5 "Dynamic balancing" (only for wheel inner side).

At the end of the procedure, the wheel balancing conditions can be checked by performing a trial spin.



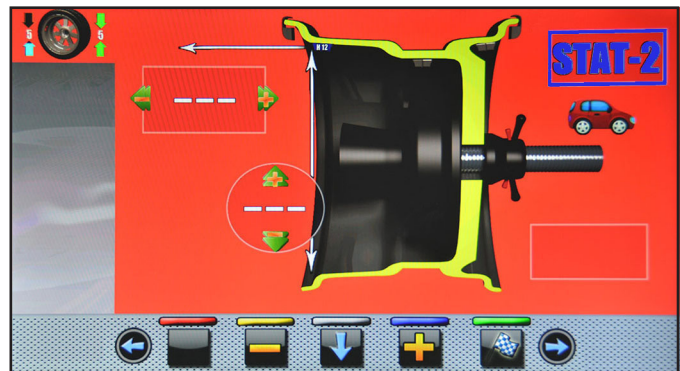
The procedure has now been completed.

14.7.3 Static-2

STATIC 2 function is a procedure that offsets wheel vibrations using a single adhesive weight on a single plane positioned exactly at 12 o'clock.

Enter the measurements (see Par. 14.2.1 or 14.6.1) and proceed as described in Par. 14.5 "Dynamic balancing" (only for wheel inner side).

At the end of the procedure, the wheel balancing conditions can be checked by performing a trial spin.

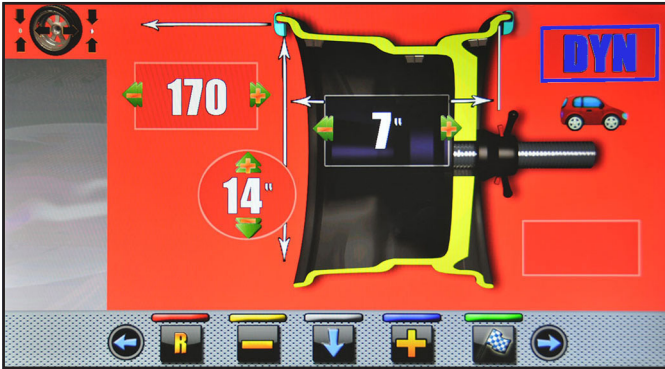


The procedure has now been completed.

14.7.4 Dynamic

The DYNAMIC program allows the wheels balancing by fitting two clip adhesive weights: one on the outside and one on the inside rim. Enter the measurements (see Par. 14.2.1 or 14.6.1) and proceed as described in Par. 14.5.

At the end of the procedure, the wheel balancing conditions can be checked by performing a trial spin.



The procedure has now been completed.

14.7.5 ALU-S

ALU-S program permits balancing wheels by two fitting adhesive weights on the outer and inner sides of the rim. Enter the measurements (see Par. 14.2.1 or 14.6.1) and proceed as described in Par. 14.5.

At the end of the procedure, the wheel balancing conditions can be checked by performing a trial spin.



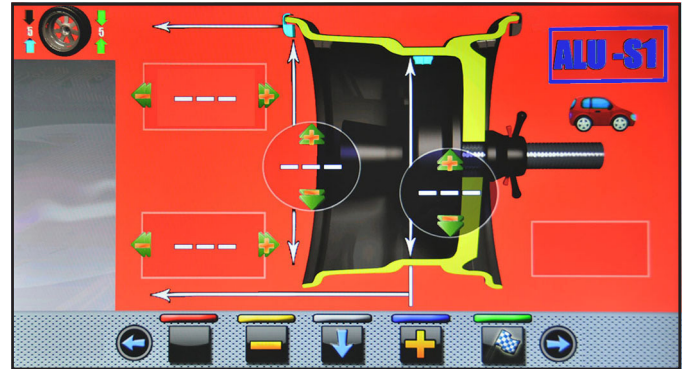
The procedure has now been completed.

14.7.6 ALU-S1

ALU-S1 function permits balancing wheels with light alloy rims by fitting adhesive weights on the outer side and weight with clip on inner side of wheel (at 12 o' clock).

Enter the measurements (see Par. 14.2.1 or 14.6.1) and proceed as described in Par. 14.5 (the inner weight is with clip).

At the end of the procedure, the wheel balancing conditions can be checked by performing a trial spin.



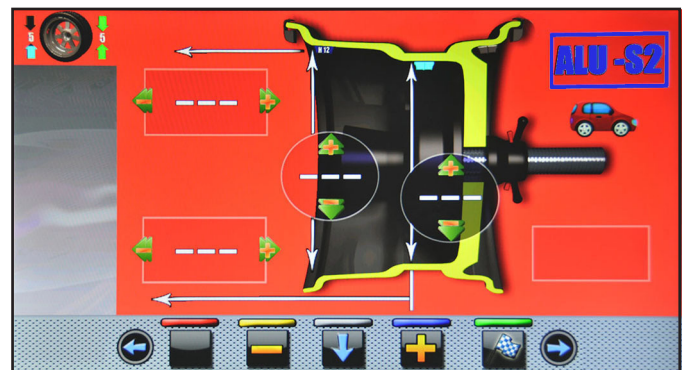
The procedure has now been completed.

14.7.7 ALU-S2

ALU-S2 function permits balancing wheels with light alloy rims by fitting two adhesive weights: one on the outer and one on inner sides of the rim (the inner weight is at 12 o' clock).

Enter the measurements (see Par. 14.2.1 or 14.6.1) and proceed as described in Par. 14.5.

At the end of the procedure, the wheel balancing conditions can be checked by performing a trial spin.



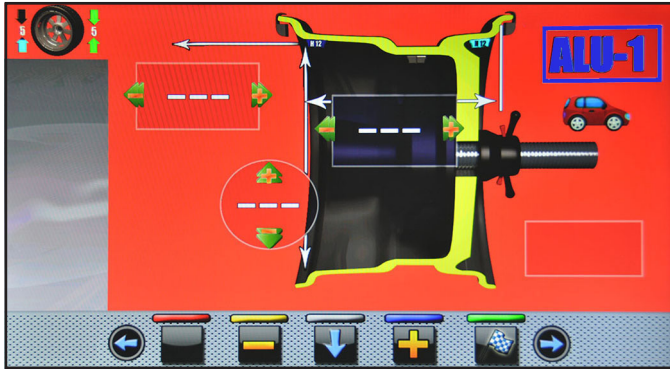
The procedure has now been completed.

14.7.8 ALU-1

ALU-1 function permits balancing wheels with light alloy rims by fitting adhesive weights on the outer and inner sides of the rim at 12 o' clock.

Enter the measurements (see Par. 14.2.1 or 14.6.1) and proceed as described in Par. 14.5.

At the end of the procedure, the wheel balancing conditions can be checked by performing a trial spin.

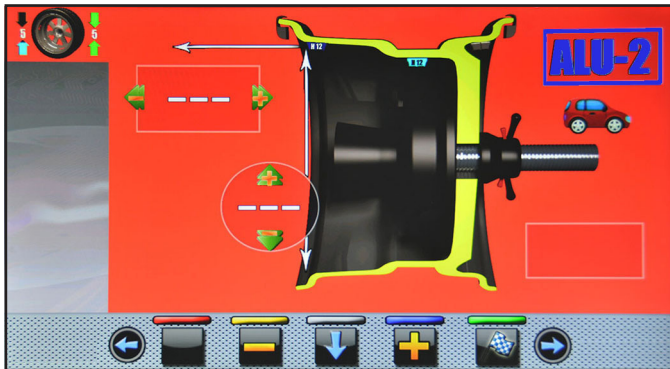


The procedure has now been completed.

14.7.9 ALU-2

ALU-2 function balances wheels with light alloy rims by fitting adhesive weights on the outside and inside of the rim. The position of the outer weight is not visible but hidden inside. Enter the measurements (see Par. 14.2.1 or 14.6.1) and proceed as for dynamic unbalance.

At the end of the procedure, the wheel balancing conditions can be checked by performing a trial spin.



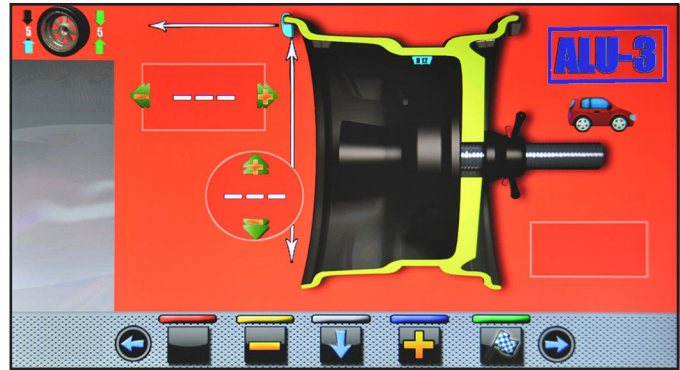
The procedure has now been completed.

14.7.10 ALU-3

ALU-3 function is a procedure that uses mixed weights to offset wheel unbalance: weight with clip on inner side of wheel, adhesive weight on outer side, not visible because inside the rim.

Enter the measurements (see Par. 14.2.1 or 14.6.1) and proceed as for dynamic unbalance.

At the end of the procedure, the wheel balancing conditions can be checked by performing a trial spin.



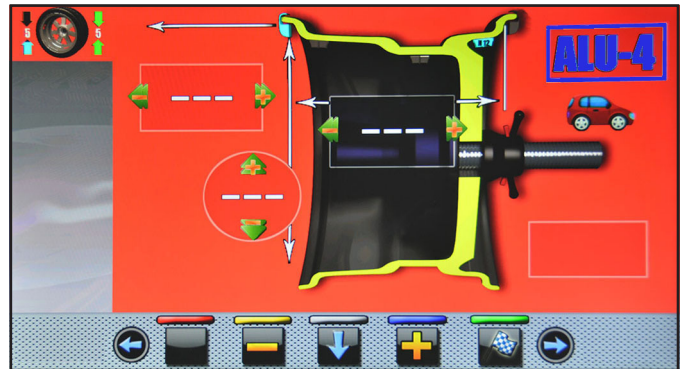
The procedure has now been completed.

14.7.11 ALU-4

ALU-4 function is a procedure that uses mixed weights to offset wheel unbalance: weight with clip on inner side of wheel, adhesive weight on outer side.

Enter the measurements (see Par. 14.2.1 or 14.6.1) and proceed as for dynamic unbalance.

At the end of the procedure, the wheel balancing conditions can be checked by performing a trial spin.



The procedure has now been completed.

14.8 Optional balancing programs

14.8.1 ECO-WEIGHT mode



TO USE THE ECO-WEIGHT PROCEDURE IT IS NECESSARY THAT THE DISTANCE-DIAMETER CALIPER ARM IS ENABLED IN THE "OPTIONS" MENU DESCRIBED IN PAR. 15.1.



THE ECO-WEIGHT PROCEDURE CAN ONLY BE USED WITH THE PROGRAM ALU-S.

This procedure represents a modern system for the reset of the unbalance in order to reduce weights consumption. This procedure ensures a fastest execution of the operations, thanks to a lesser number of spins and repositioning.

After making the wheel spin in ALU-S mode, the monitor shows the total of 2 adhesive weights to precisely correct STATIC and DYNAMIC unbalance.



It is possible to fit a single weight at a predetermined distance from the machine, so as to optimize the weight consumption and reduce both the DYNAMIC and any remaining STATIC unbalance as much as possible. Unlike the standard STATIC procedure, the ECO-WEIGHT procedure, though only using one weight, also considerably reduces the DYNAMIC unbalance, because the fitting distance of the weight on the rim is also calculated.

From ALU-S unbalance results page, if there is con-



siderable static unbalance, press the button to display on the following monitor screen:



Press button to select such procedure and bring automatically the wheel into weight fitting position.

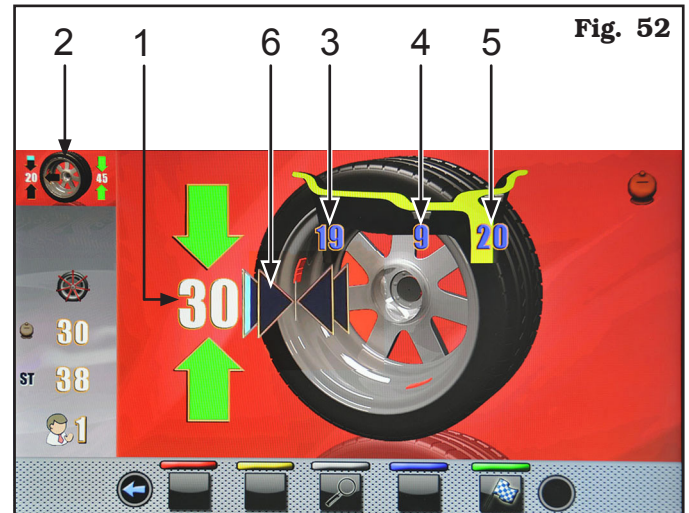


Fig. 52

KEY

- 1 - Only weight to be fitted
- 2 - Last program and last values used for the spin
- 3 - Residual dynamic unbalance value (if the value is blue it is not to carry out ECO-WEIGHT procedure)
- 4 - Static unbalance value (if the value is blue it is not to carry out ECO-WEIGHT procedure)
- 5 - Residual dynamic unbalance value (if the value is blue it is not to carry out ECO-WEIGHT procedure)
- 6 - Arrows indicating the weight fitting point with distance-diameter caliper arm

Press the brake pedal and fit the adhesive weight inside pliers as shown in **Fig. 53**.

Fig. 53 Fit the adhesive weight in the pliers of the gauge rod



Pull out the gauge rod until the arrows (**Fig. 52 ref. 6**) turn green.

Fit weight on the position where pliers touches the wheel **Fig. 54**



At the end of the procedure, the wheel balancing conditions can be checked by performing a trial spin. The ECO-WEIGHT procedure has now been completed.

IMMEDIATELY AFTER HAVING SELECTED THE ECO-WEIGHT PROCEDURE, YOU CAN KNOW IN ADVANCE THE TWO DYNAMIC UNBALANCES AND THE STATIC RESIDUE IN ORDER TO DECIDE WHETHER IT IS CONVENIENT TO CONTINUE (SEE FIG. 52).

IF BOTH DYNAMIC UNBALANCES AND STATIC RESIDUE ARE SHOWN AS WHITE VALUES ON THE MONITOR, THIS MEANS THAT THE PROGRAM HAS DECIDED THAT IT IS BETTER TO CONTINUE. WHILE IF, ON THE OTHER HAND, ONE OR MORE VALUES ARE BLUE, THE PROGRAM SUGGESTS USING THE STANDARD ALU-S PROCEDURE.



PRESS BUTTON ONCE, THE TWO RESIDUAL DYNAMIC UNBALANCES WILL BE DISPLAYED ON MONITOR.



PRESS BUTTON ONCE MORE, THE CALCULATED REAL STATIC WEIGHT AND THE RESIDUAL STATIC WEIGHT WILL BE DISPLAYED ON SCREEN.

IF YOU ARE NOT WISHING TO OPERATE WITH ECO-WEIGHT PRO-



CEDURE, PRESS BUTTON ONCE MORE, ALU-S UNBALANCE VALUES WILL BE DISPLAYED AGAIN.

WHILE IF YOU WISH TO OPERATE WITH THE ECO-WEIGHT PROC-



DURE, PRESS BUTTON FOR



A LONGER TIME (OR KEY) TO GO BACK TO THE RESIDUAL DYNAMIC/ECO-WEIGHT WEIGHT DISPLAY SCREENS.



14.8.2 SPLIT mode

Split procedure proves useful when the dynamic unbalance of a wheel is fairly high and the weight to be fitted is not available, for instance a 100 g weight. It's possible then to correct the unbalance dividing the amount of weight into two weights of smaller size.

Split procedure eliminates errors by using "DYNAMIC" program, for example by manually fitting two 50 g weights close to one another, instead of only a 100 gr one.

For example:

100 g WEIGHT
TO BE FITTED TO CORRECT
UNBALANCE



TWO SMALLER WEIGHTS (50g)
FITTED MANUALLY



TWO SMALLER WEIGHTS (55g)
USING SPLIT PROCEDURE



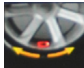
Proceed to "DYNAMIC" unbalance measurement displaying by performing a standard wheel spin.




Once detected the unbalance values, verify that the machine displays the ability to use the "SPLIT" option

(Fig. 49 ref. 4a). Press button  to shift to the next screen page.



Press button  to enter "SPLIT" function. On the monitor screen will be displayed where you must enter the value of the weights to be fitted.



Press button  to select the outer weight to edit.

Press buttons  or  to increase or decrease the total weight to be fitted.




THE BLUE VALUE INDICATES WHICH VALUE IS ACTIVE AND YOU ARE EDITING.



THE HIGHER THE CHOSEN WEIGHTS VALUE IS, THE MORE THEY WILL BE SPACED.

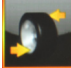
After choosing the value of the weights to be fitted,

press button  to position the wheel for the application of the 1st clip weight.



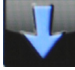
THE TWO GREEN ARROWS INDICATE THAT THE WHEEL IS PROPERLY POSITIONED FOR THE APPLICATION OF THE 1ST WEIGHT.

Fit the clip weight of the chosen value at 12 o'clock on

the outside of the wheel. Press again button  to position the wheel for the fitting of the 2nd clip weight.



Fit the clip weight of the chosen value at 12 o'clock

on the outside of the wheel. Press button  to highlight the value of the weights to be fitted on the inside of the wheel.



Repeat the above steps for the weights to be fitted inside the wheel.

At the end perform again a checking spin to see that you have applied the weights correctly.

14.8.3 Weights hidden behind spokes mode

Adhesive correction weight positioning may not look attractive on some types of rims. In this case, "weights hidden behind spokes" mode can be used: it splits any correction weight on the outer side into two parts to be hidden behind rim spokes. It can be used in both ALU-S or STATIC modes.

Display the ALU-S or STATIC, unbalance measurements, by performing a standard wheel spin.



Once detected the unbalance values, verify that the machine displays the ability to use the "spokes" options (**Fig. 49 ref. 4b**).



Press button  to shift to the next screen page.



Press button  to enter the relevant function.

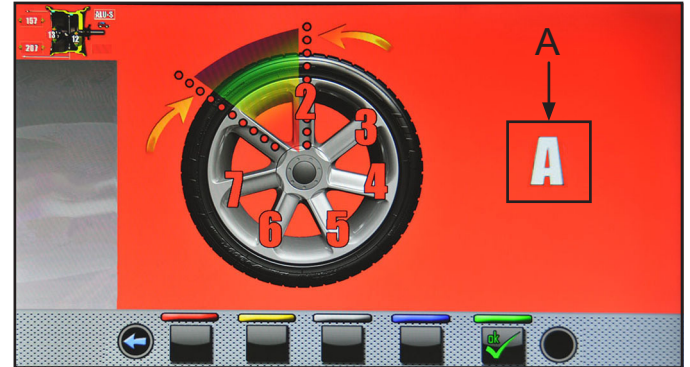
On the monitor the next screen page will be displayed:



Bring any spoke upwards at "12 o'clock" position and



press the button  to confirm and continue.



Lead to "12 hours" the 2nd spoke. The machine will automatically calculate the total number of spokes. If the value shown on the screen (A) is correct, press the



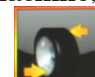
button .

The machine automatically calculates weight position in two positions hidden behind the spokes. The monitor shows the amount of weight to be applied behind the FIRST spoke and the rim will reach the position to apply the FIRST weight.




Extract the gauge rod, and fit the FIRST weight in the position shown by the machine, as explained in



Par. 14.5.1. Press the button  to confirm that they have applied the FIRST weight and to automatically position the wheel for the fitting of the 2nd weight. The monitor shows the amount of weight to be applied behind the SECOND spoke.

Pull out the gauge rod and fit the SECOND weight in the position shown by the machine, as done for the first weight.



Press the button  to confirm that you have applied the SECOND weight and get back to the initial situation of unbalance, before performing the "weights hidden behind the spokes" procedure. Perform another test spin. The "weights hidden behind spokes" procedure is completed.

Complete the operation by adding an additional weight inside the rim as required by the selected mode (ALU-S or STATIC).

14.8.4 matching mode

The Matching procedure offsets strong unbalance, reducing the weight quantity to be fitted on the wheel to achieve balancing. This procedure permits reducing unbalance as much as possible by offsetting the tyre unbalance with that of the rim in any used program.

Proceed to unbalance measurement displaying by performing a standard wheel spin.



THE MATCHING PROCEDURE CAN BE CARRIED OUT ONLY IF THE STATIC UNBALANCE IS > 30 G.

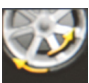


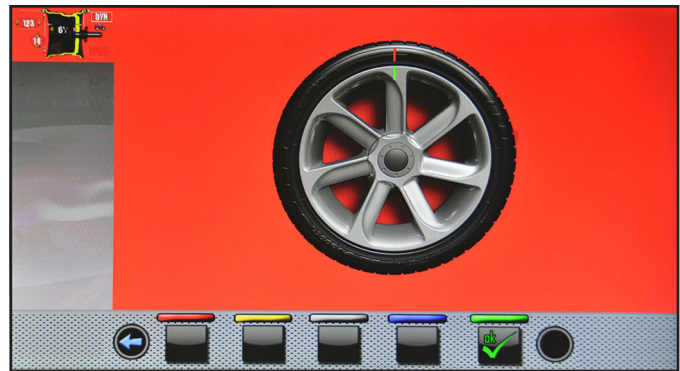
Once detected the unbalance values, verify that the machine displays the ability to use the "matching" options (Fig. 49 ref. 4a).



Press button  to shift to the next screen page.

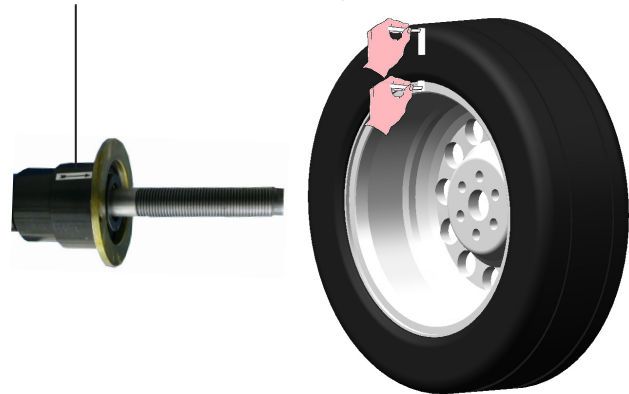


Press button  to enter the relevant function. On the monitor the next screen page will be displayed:



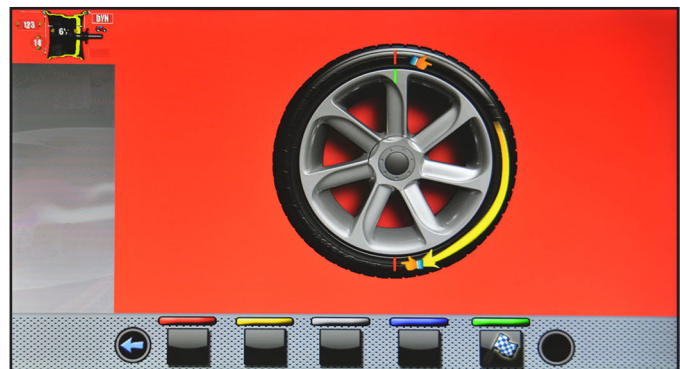
STEP 1. Move the slider on the flange to the "12 o'clock" position. Make a reference mark, using chalk for instance, on the rim and tyre, in line with the arrow on the flange, so as to be able to fit the rim back on in the same position on the machine.

Make a reference mark on the rim and tyre, in line with the arrow on the flange

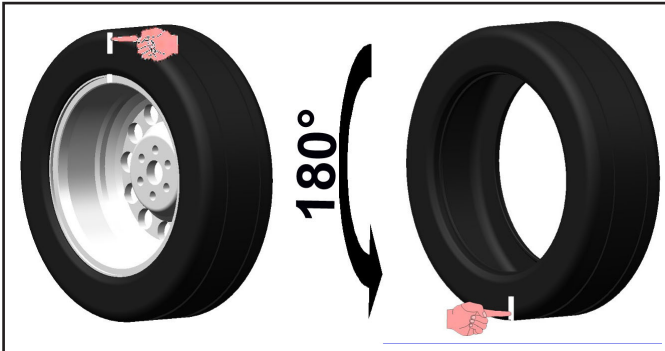


Press button  to confirm that step 1 has been completed.

On the display the next screen page will be displayed:

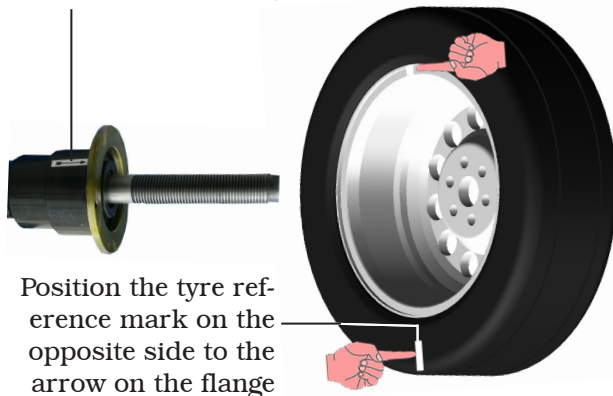


STEP 2. Remove the wheel from the wheel balancer. Remove the tyre and turn it on the rim through 180°.



Fit the wheel back on the wheel balancer, positioning the reference mark on the rim in line with the arrow on the flange.

Position the reference mark on the rim in line with the arrow on the flange



Position the tyre reference mark on the opposite side to the arrow on the flange



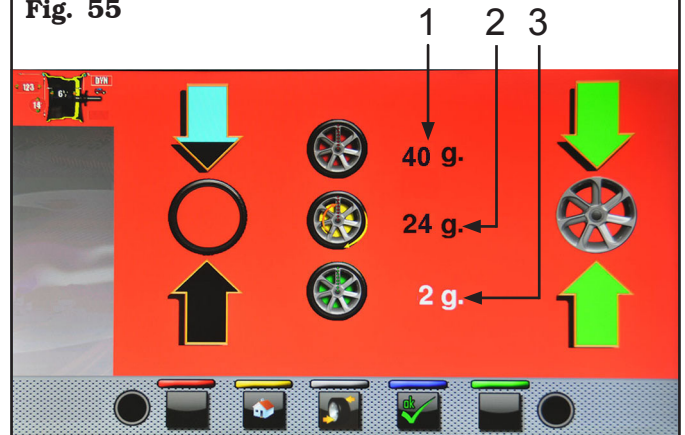
Press button  to confirm that step 2 has been completed.

On the display the next screen page will be displayed suggesting to perform a spin of the wheel.



After having fitted wheel back in position, close the protection guard to make an automatic wheel spin. At the end of the spin the monitor will display the following screen:

Fig. 55

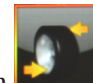


In this screen you will see the dynamic unbalance that the wheel had before performing the operation (**Fig. 55 ref. 1**), the dynamic unbalance after having rotated the tyre of 180° compared to the rim (**Fig. 55 ref. 2**) and the unbalance which can be obtained following the directions of the machine (**Fig. 55 ref. 3**).

STEP 3. If the value of possible unbalance reduction is high, you can proceed as follows:

- Cancel the previously made reference marks. Put new signs, as described below.



- Press the button  to bring the wheel into position.



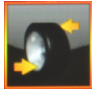
Make the reference mark on RIM at 12 o' clock (see **Fig. 56**).

Reference mark on RIM



Fig. 56



- Press the button  to bring the wheel into position.



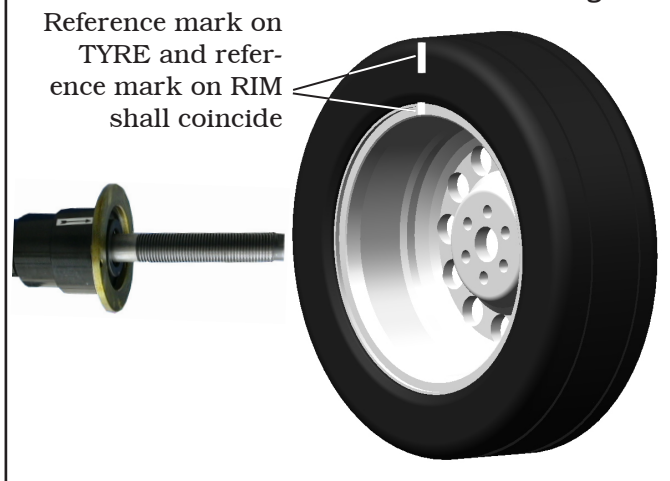
Mark the reference mark on the TIRE at "12 o'clock" position.



Press button  to confirm that step 3 has been completed.

STEP 4. Remove the wheel from the wheel balancer. Dismount and remount the tyre on the rim so as to bring the two reference marks (rim and tyre) to coincide. Refit the wheel on the balancer (see **Fig. 57**) with the two reference marks next to the arrow on the flange.

Fig. 57



Press button  to confirm that step 4 has been completed.

Perform another spin closing the protection guard, to check the expected unbalance reduction and correct any residual unbalance, as described in Chap. 14.5.1.

14.9 Special balancing programs


14.9.1 Pax

PAX mode is a special procedure specially devised to balance wheels using the "PAX System®". 2 adhesive weights on different planes are used on rim inner side.

To launch a PAX measurement, proceed as follows:

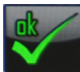
- Make sure there are no stones and/or mud on the wheel. Remove any counterweights. Fit the wheel and make sure it is properly fastened (see Chap. 12).

- Press  button from "Home" page. On the screen

that appears, press the button  to switch to measuring mode selection screen below.



Use the arrows  or  to select PAX mode.

At the end press push button . The machine will be configured as follows to perform the measurement and on the video screen will appear the indication of the specific measures of the selected wheel type.

- Close the protection guard to perform the automatic wheel spin.

In just a few seconds, the wheel runs at normal speed and the monitor shows wheel rotation.

After the spin, the wheel stops automatically, taking into account the measured unbalance so that the fitting position of the weight will be at 12 o'clock.


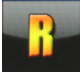
The monitor show the weight required to correct the unbalance.

Open the protection guard and proceed to fit the adhesive weight as shown for the ALU-S mode (see Par. 14.7.5).

14.10 Recalculation function

After making a spin, the wheel automatically stops, indicating the weight/s to be fitted and its/their position. In case the operator does not want the type of wheel balance proposed by the machine (program type, weights size, etc ...), proceed with the re-calculation of the wheel balancing without rerunning the spin of the wheel.

To do this, proceed as described below:

- press the button  to return to the measures detection/program selection page;
- select a new balancing program as indicated in Par. 14.2.2;
- take with the gauge arm the measures required by the selected program;
- press button  to perform the re-calculation. The monitor will display the weights and the positions in which they will be applied.

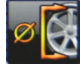

If also in this case the operator should decide to further modify the balancing program, it is sufficient to proceed as described above without having to spin the wheel.


When the result of the recalculation does not satisfy the operator, it is recommended to do a spin of the wheel to confirm the findings from the operation of recalculation itself.

After the launch of the wheel, the machine, in addition to displaying the unbalance value, draw up automatically all the programs measurement fields that are consistent with those measures that were taken previously and at the same time erases all measures which are not consistent.

14.11 Motorbike mode wheel balancing

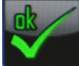
By enabling "motorbike wheel balancing" function, the wheel balancers can also balance motorbike wheels. Before detecting the wheel sizes (see Par. 14.2.2), select motorcycle wheel balancing mode proceeding as described below:

press button  and then button . On the

screen that appears, press the button  to switch to programs and measurements acquisition selection screen below.



Use the arrows  or  to select the wished

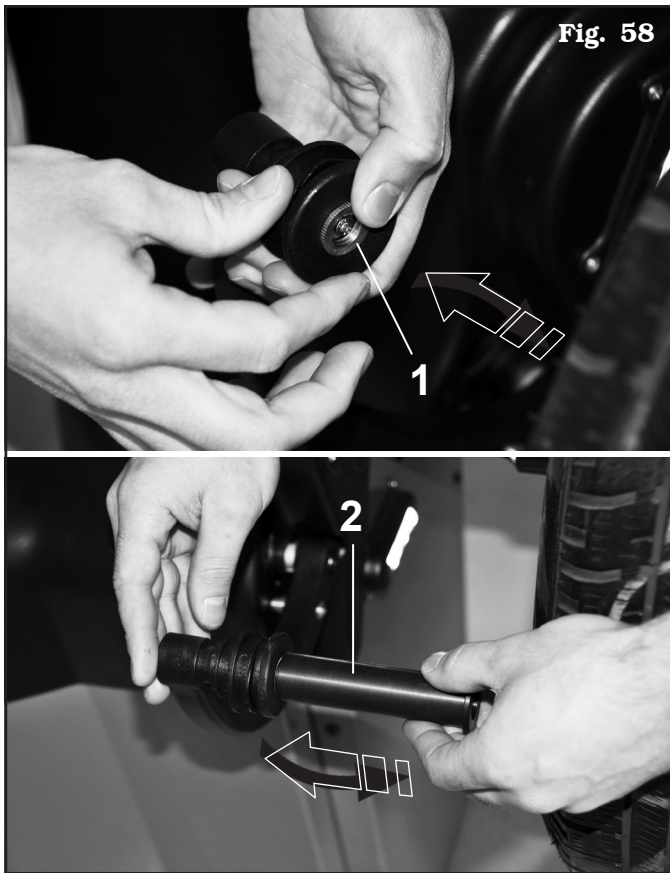
mode. At the end press push button . The machine will be configured as follows to perform the measurement in the desired mode and on the screen will appear an indication showing the measures that will be acquired.

The "motorcycle" mode automatically recalculates the wheel distance measurement, increasing this by the length of the optional extension GAR181 A1.

To fit the extension (**Fig. 58 ref. 2**), first press the threaded ring nut (**Fig. 58 ref. 1**) in the hole provided and then screw the plastic terminal (see **Fig. 58**).



THE EXTENSION WILL ONLY HAVE TO BE SCREWED UP WHEN BALANCING IS PERFORMED IN "MOTORBIKE" MODE.



Balancing procedures are identical for both modes (car/motorbike).

By selecting motorbike mode, besides DYNAMIC balancing (see Par. 14.7.4) STATIC balancing and/or ALU-S (Par. 14.7.1 and/or 14.7.5) can also be performed.

15.0 USER MENU (OPTIONS AND CALIBRATION)

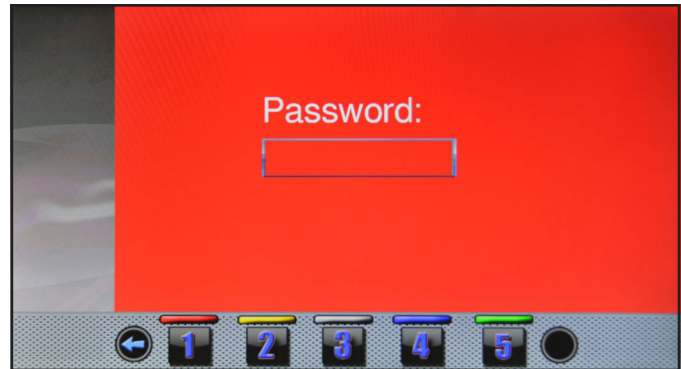
From the main page "Home" press the button



to move to the next screen page and the button

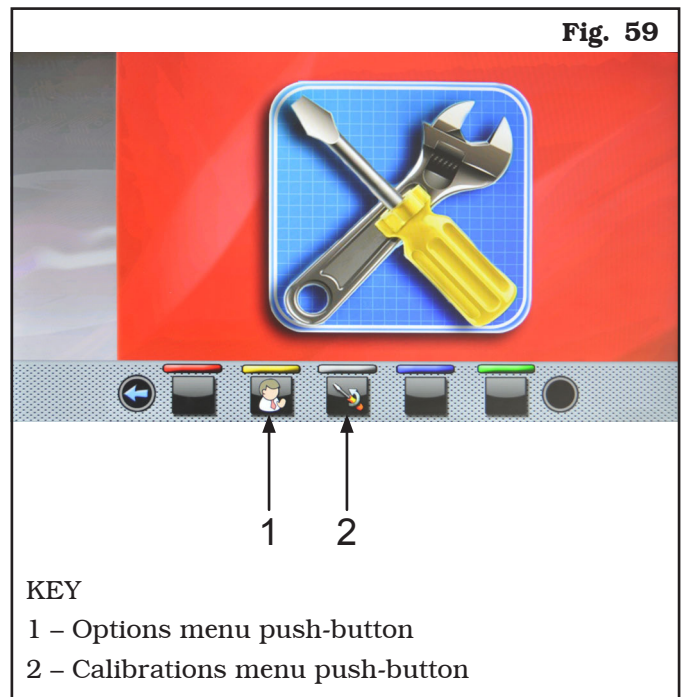


to access the user menu. On the monitor, the following screen appears where you can enter the password.



The user login password is: **1234**.

After entering the correct password you will see the following screen:



KEY

1 - Options menu push-button

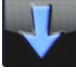
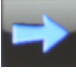
2 - Calibrations menu push-button

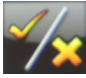
15.1 Options menu

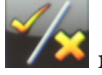



Press button  to display the monitor screen to enable/disable the options as shown below:



To enable / disable individual functions simply highlight the icon using the buttons  and/or 

and press the button .

Pressing the button  may involve, besides, the change in the unit of measure from "mm" to "inch" and vice versa (where applicable) or access to a sub-screen for values settings values (see Par. 15.1.1 or 15.1.2). After you select/deselect the desired options, exit the

menu by pressing push-button .

List of available options



Enable/disable the protection guard/spin (enabled on machine delivery).



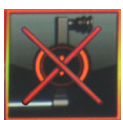
Enable/disable the distance/diameter detection caliper (enabled on machine delivery).



Enable/disable the display of static threshold after each spin (enabled on machine delivery).



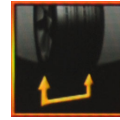
It allows you to set the thresholds for each of the balancing mode weights (see Par. 15.1.1).



Enable/disable the lock function for caliper arm in position (disabled on machine delivery).



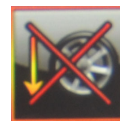
It allows you to change the unit of measurement of the weights from grams to ounces and vice versa.



It allows you to enable/disable the width function detected by GAR305 or GAR307 (enabled when fitted as standard on the machine).



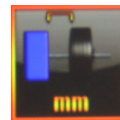
Enable/disable the ECO-WEIGHT function (enabled on machine delivery).



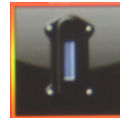
Enable/disable the positioning of weights at "6 o'clock" (disabled on machine delivery).



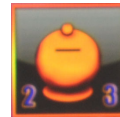
Enable/disable the pneumatic brake after the spin (disabled on machine delivery).



It allows you to change the unit of measure of the distance of the weights fitting point from mm to inches and vice versa.



Enable/disable the led light (enabled if mounted on the machine).



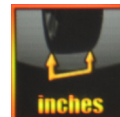
Enable/disable the dynamic residues in the ECO-WEIGHT function (enabled on machine delivery).



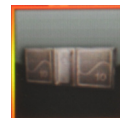
Enable/disable the functions of motor-bike balancing (disabled on machine delivery).



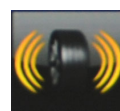
Enable/disable the encoder mounted on the spin motor (disabled on machine delivery).



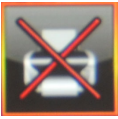
It allows you to change the unit of measurement of the rims width from mm to inches and vice versa.



It allows you to set the size values of weights (see Par. 15.1.2).



Enable/disable the RUN-OUT functions (enabled on machine delivery).



Enable/disable machine print functions (disabled on machine delivery).

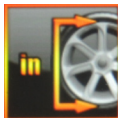
It allows the setting of the retrieval of the measures by eye: readout of measures printed on the rim and the graduated scale of the distance-diameter caliper (disabled on machine delivery).

NOTE: it is activated only if distance-diameter caliper is disabled.

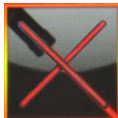


Enable/disable the use of the manual caliper to measure rim width (disabled on machine delivery).

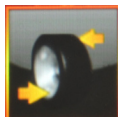
NOTE: it is activated only if distance-diameter caliper is disabled.



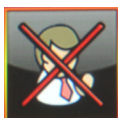
It allows you to change the unit of measurement of the rim diameter from mm to inches and vice versa.



Enable/disable the function of weights positioning laser (disabled on machine delivery).



Enable/disable the repositioning of the wheel at the end of the spin (enabled on machine delivery).



Enable/disable user function (disabled on machine delivery).



Enable/disable the function of weights positioning laser wheel inner/outer side at 12 o' clock (disabled on machine delivery).

15.1.1 Lower weight limit

Correction weight below a certain limit is normally shown equal to zero. This limit can be set from 10 g to 1 g.

At the end of the spin however, by pressing the button



, the weight can be displayed with max resolution of 1 g, not considering the set lower limit.



LOWER LIMIT'S FACTORY SETTING FOR DYNAMIC WHEEL BALANCING MODE IS 5 g. THE LOWER LIMIT FOR ALL THE OTHER MODES IS SET AT 7 g.

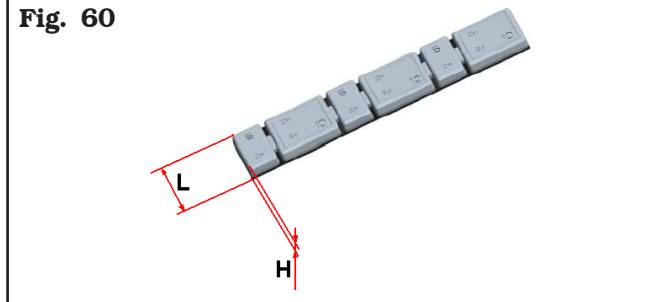



KEY

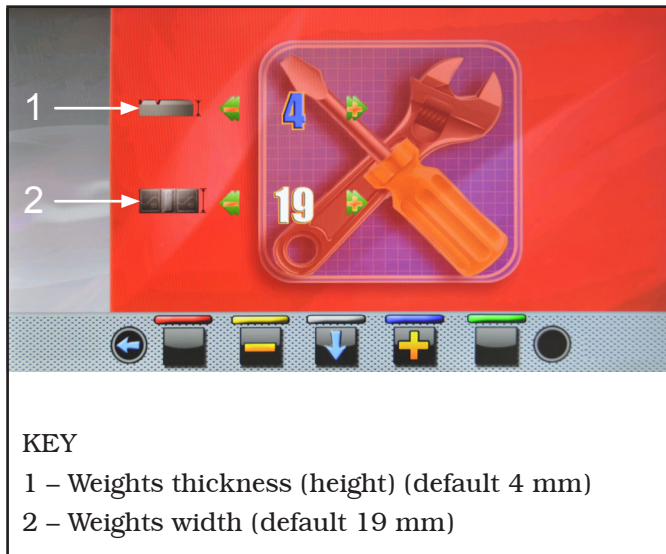
- 1 – Lower weight limit in the DYNAMIC program to display "OK" (default value 5 g)
- 2 – Lower weight limit in the ALU-STATIC program to display "OK" (default value 7 g)
- 3 – Weights display resolution (default value 5 g)
- 4 – Weight % reduction in the ECO-WEIGHT function (0 ÷ 200) (default value 100)

15.1.2 Setting adhesive weight dimensions and static threshold percentage

To ensure the balancing machine precisely calculates the dimensions and total adhesive weights, set the height (thickness) and width of the adhesive weights at your disposal (see **Fig. 60**).





To carry out this setting, press the icon . You will see the following screen:



KEY

- 1 - Weights thickness (height) (default 4 mm)
- 2 - Weights width (default 19 mm)

From this screen page, change the size values of weights using the buttons  and .



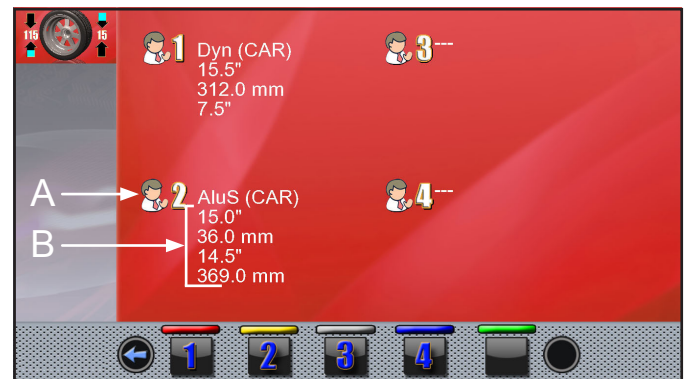
THE BLUE-COLOURED-VALUE IS THE ACTIVE FIELD AND THE MODIFIABLE ONE.

15.1.3 User management

The "User Management" function is disabled on machine delivery. To enable it, proceed as described in Para 15.1. After enabling, the icon will be displayed on every page (**Fig. 61 ref. 1**). The wheel balancers can be used simultaneously by 4 different users.



Press button  shown on the monitor (**Fig. 61 ref. 2**) or select the field (**Fig. 62 ref. 1**) and subsequently press the button  to display the screen below:



KEY

- A - Program used in the last carried out spin
- B - Acquired measurements for the last carried out spin

Press any of the available numbers on the buttons at the bottom of the page to select the corresponding user. The system stores the data relating to the last performed spin according to the different operators. You can recall the desired user each time the program displays the specific button (**Fig. 61 ref. 2 and Fig. 62 ref. 1**). The measurements stored for each user are lost when the machine is switched off. User management is valid for any wheel balancer function.



TO ENABLE OR DISABLE "USER MANAGEMENT" FUNCTION, SEE PARAGRAPH 15.1. IF THE FUNCTION IS DEACTIVATED, THE BUT-

TON  IS DISPLAYED.

15.2 Machine calibrations



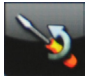
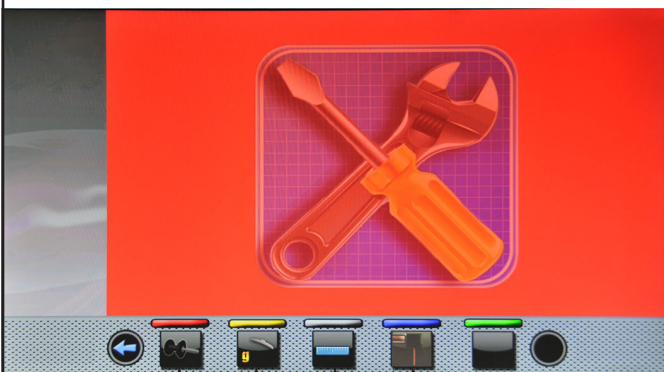
Press the button  (**Fig. 59 ref. 2**) to display the following screen page on monitor:

Fig. 63



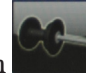
1 2 3 4

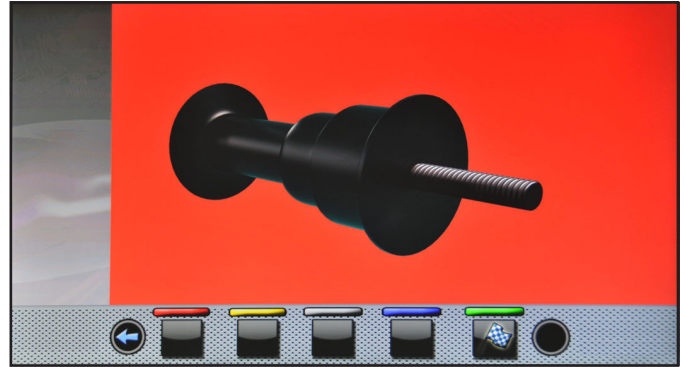
KEY

- 1 – Mandrel “0” (zero) calibration
- 2 – Weight measurement sensors calibration
- 3 – Gauges calibration
- 4 – Mobile laser pointer calibration

15.2.1 Mandrel “0” (zero) calibration




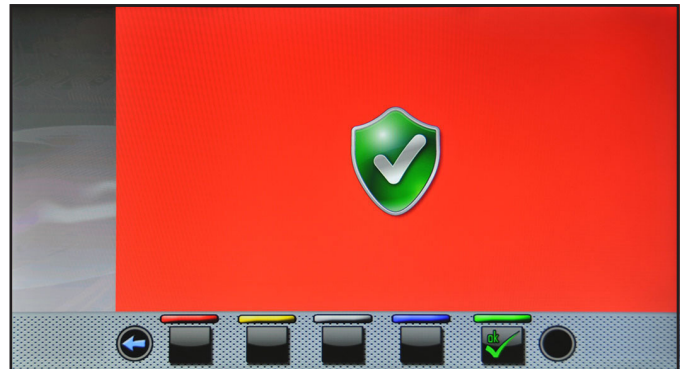
Press the button  (**Fig. 63 ref. 1**) to display the following screen page on the monitor:



After making sure that the mandrel is unloaded (no wheel or mounted accessories) and in the case of closed




pneumatic mandrel, press the button  and close the guard. The mandrel will rotate for a few minutes until you see the screen below:



At this point the machine has all its measuring fields.




Press button  to return to calibrations screen page.

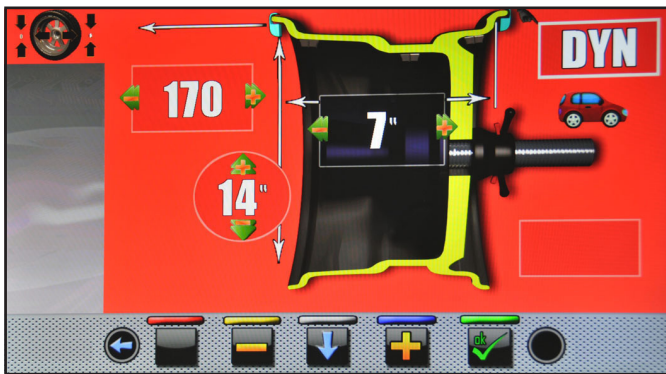
15.2.2 Weight measurement sensors calibration



ASSEMBLE A BALANCED WHEEL ON THE SPINDLE AND PERFORM THE SPINDLE "0" "ZERO" CALIBRATION PROCEDURE DESCRIBED IN PAR. 15.2.1 (WITH WHEEL MOUNTED).

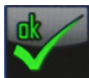


- Press the button  (Fig. 63 ref. 2) to display the following screen page on the monitor:



- Set the size of the rim on the mandrel using the distance-diameter caliper arm.
- Set the rim width using one of the following calipers:
 - Manual caliper (equipped with the machine)
 - GAR305 (if present)
 - GAR307 (if present)

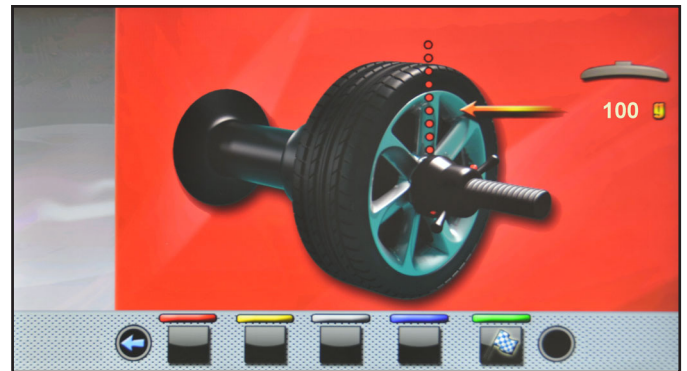


- Press button  and close the guard to perform the 1st spin of the wheel without weights.



IN THE VERSIONS WITH GAR332 (AUTOMATIC WIDTH MEASURING DEVICE), WHEN THE GUARD IS LOWERED, THE RIM WIDTH IS MEASURED AUTOMATICALLY AND THE SIZING SPIN IS CARRIED OUT.


- At the end, on the monitor will appear the following screen, saying that you should apply a weight of 100 g to the "12 o'clock" outer rim.

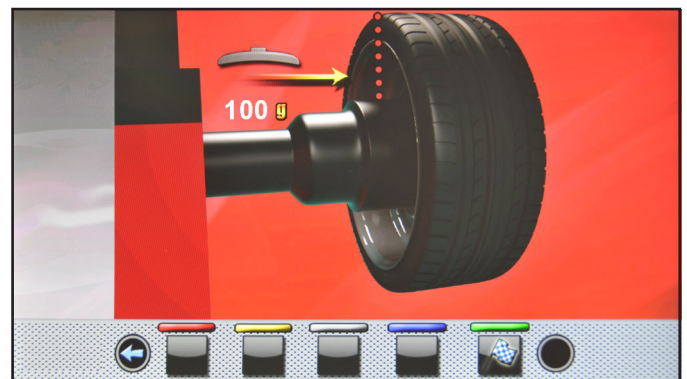


APPLY THE WEIGHT AT A POINT IN WHICH BOTH SIDES OF THE RIM THERE IS THE POSSIBILITY OF APPLYING A CLIP WEIGHT OF 100 g.

- Apply the weight and position it perfectly to the "12 o'clock".

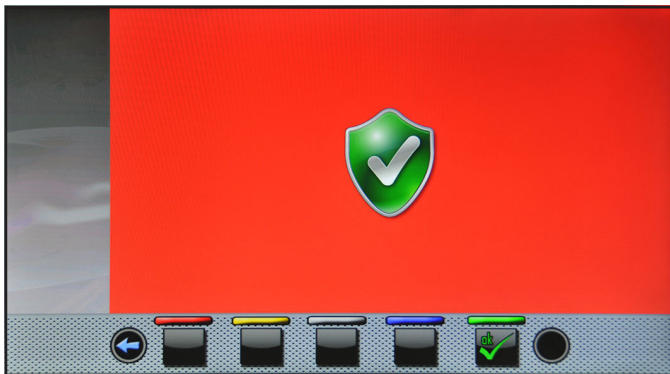


- Press the button  and close the guard to perform the 2nd spin of the wheel (100 g weight placed on the outside of the wheel).
- At the end the following screen will appear on the monitor, suggesting to remove the weight of 100 g previously applied on the outer side and apply it on the inside of the rim.



- Turn manually the wheel until you have the weight of 100 g on the outer side at "12 o'clock".
- Press the brake pedal and hold it down during the whole the following operation to avoid unexpected rotation of the spindle.
- Remove the weight from 100 g from the outside of the wheel and apply it on the inner side at "12 o'clock".
- Close the guard to perform the 3rd spin of the wheel (100 g weight placed on the inside wheel).

At the end of the rotation, the video screen below will be displayed to indicate that the operation is finished.



WHEN THE OPERATION IS CONCLUDED, REMOVE THE WHEEL FROM THE MANDREL AND PERFORM A COMPLETE CALIBRATION PROCEDURE "0" (ZERO) MANDREL AS DESCRIBED IN PAR. 15.2.1.

15.2.3 Gauges calibration



Press the button (Fig. 63 ref. 3) to display the following screen page on the monitor:



KEY

- 1 - Distance-diameter caliper calibration
- 2 - Calibration of external data gauge/automatic external data gauge

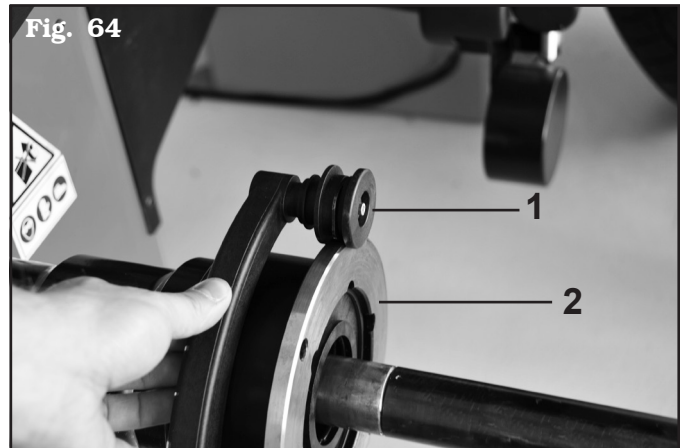
Distance-diameter caliper calibration



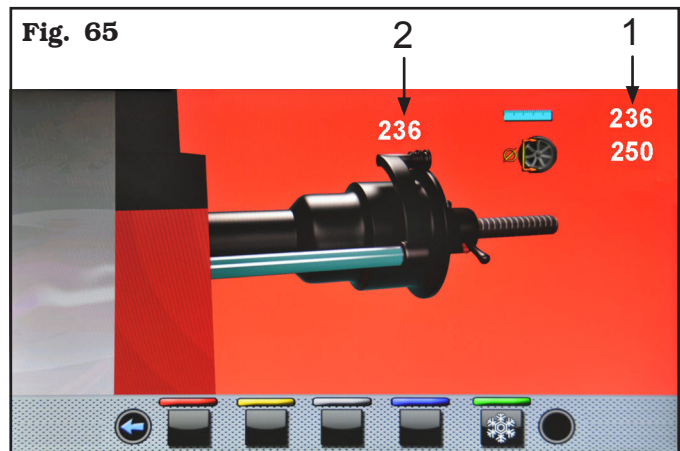
Press the button to display the following screen page on the monitor:



Place the gauge (Fig. 64 ref. 1) on the mandrel flange (Fig. 64 ref. 2).



The following screen will appear on the monitor to indicate the measured values:




- The value next to the symbol "scale" (**Fig. 65 ref. 1**) (236 mm for screw mandrel or 256 mm for pneumatic mandrel) must be equal to the value positioned above the gauge (**Fig. 65 ref. 2**) ± 1 mm.



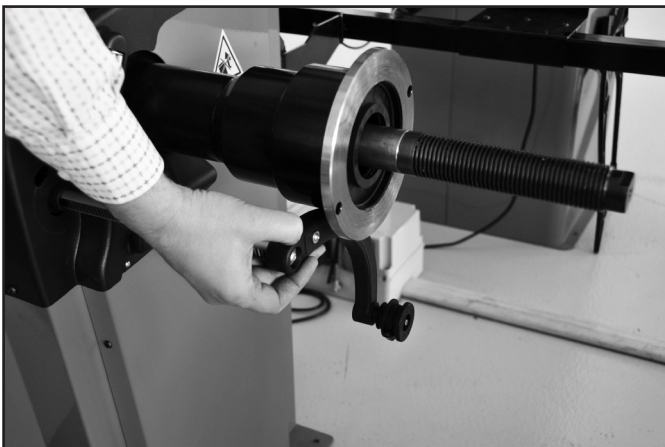
IF THE MEASUREMENT GAUGE IS NOT EXACTLY POSITIONED ALONG THE UPPER EDGE OF THE FLANGE AND CONSEQUENTLY IF THE DISTANCE MEASUREMENT IS NOT 236 MM (FOR SCREW MANDREL) OR 256 MM (FOR PNEUMATIC MANDREL), WHEN THE MEASUREMENT IS CONFIRMED, THE PROGRAM WILL NOT PASS ON TO THE NEXT STAGE. TRY REPOSITIONING THE GAUGE FERRULE ALONG THE UPPER EDGE OF THE FLANGE AND, IF THE MEASUREMENT CONTINUES NOT TO BE BETWEEN 236 MM (FOR SCREW MANDREL) OR 256 MM (FOR PNEUMATIC MANDREL) AND THE PROGRAM DOES NOT PASS ON TO THE NEXT CALIBRATION STAGE, CONTACT THE AFTER-SALES SERVICE.




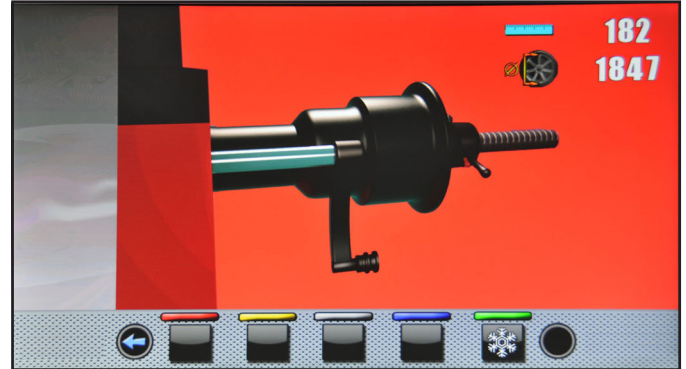
- Press push button . The following screen will appear on the monitor:



- Place the gauge as shown in the following figure:




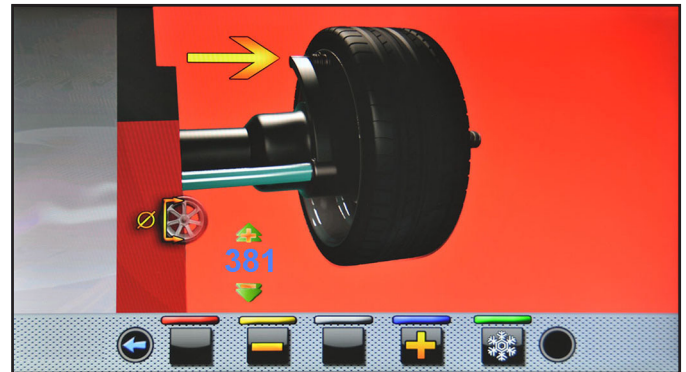
- Press push button . Wait a few seconds until you see the following screen:





- Place the gauge against the mandrel in the lower part of it but on a smaller diameter than before as indicated on the image on the monitor.



- Press push button . On the monitor the next screen page will be displayed:



Measure the exact diameter of a rim (see **Fig. 66**) and place it on the screen on the monitor by pressing the

 or  buttons.




- Fit the measured wheel on the balancer and lock it on the mandrel.

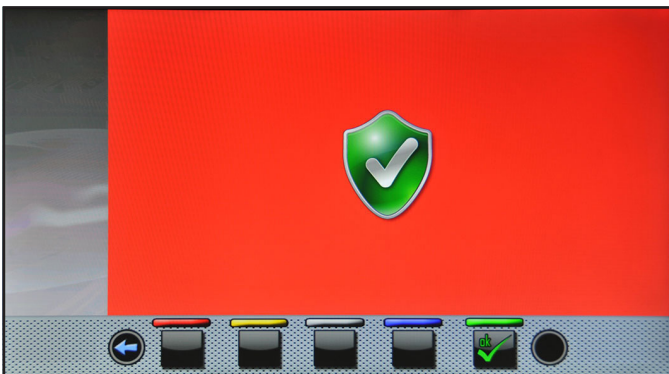
- Turn the gauge ferrule (**Fig. 67 ref. 1**) on the inner edge of the wheel upwards (see **Fig. 67**).



Fig. 67



- Press button  to end the operation. On the monitor the next screen page will be displayed:

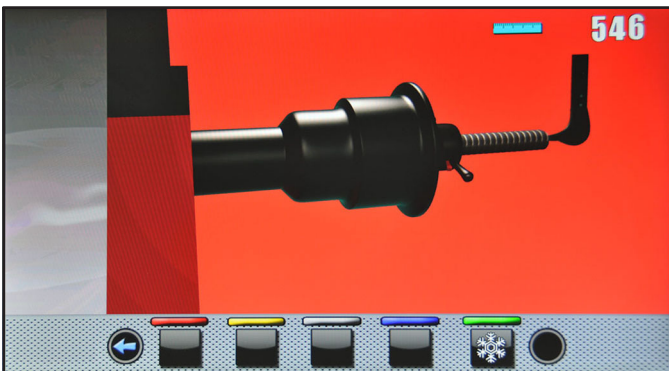


The calibration of the distance-diameter caliper is finished.

Calibration of external data gauge (optional)



- Press the button  to display the following screen page on the monitor:

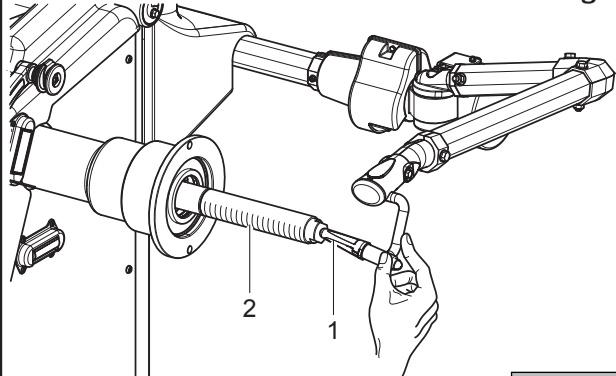


TO PERFORM THIS CALIBRATION, THE SPINDLE MUST BE UNLOADED (NO WHEEL OR ACCESSORIES MOUNTED ON IT) AND WITH CLOSED PNEUMATIC MANDREL.

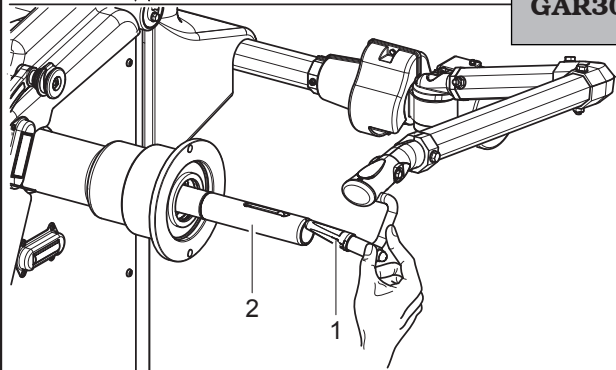
- Move the tip of the width measuring device (**Fig. 68-69 ref. 1**) by mandrel's end (**Fig. 68-69 ref. 2**) (in case of pneumatic mandrel, move it next to upper edge of the closed mandrel).

SCREW MANDREL

Fig. 68



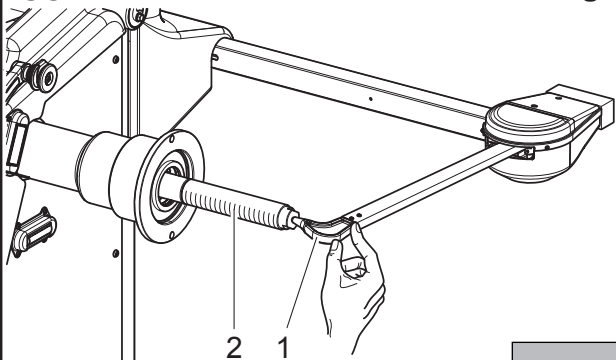
GAR305



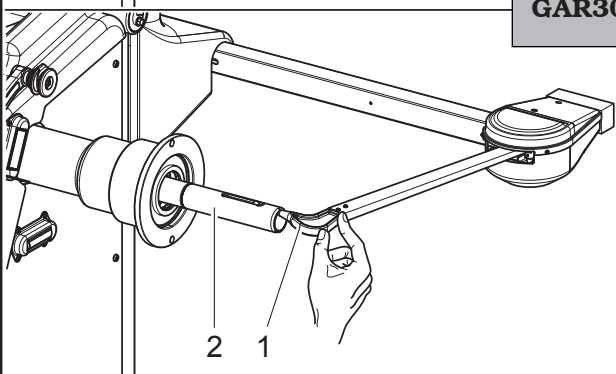
PNEUMATIC MANDREL

SCREW MANDREL

Fig. 69



GAR307

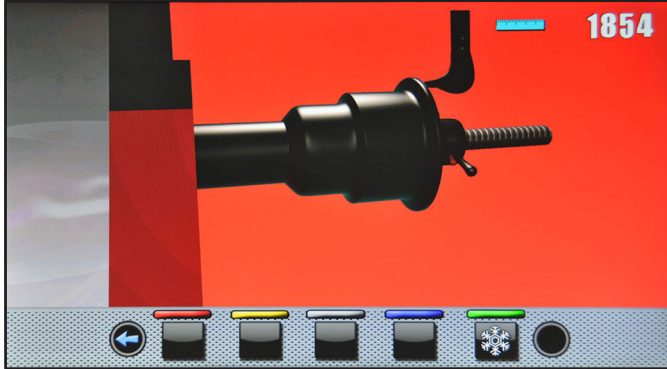


PNEUMATIC MANDREL

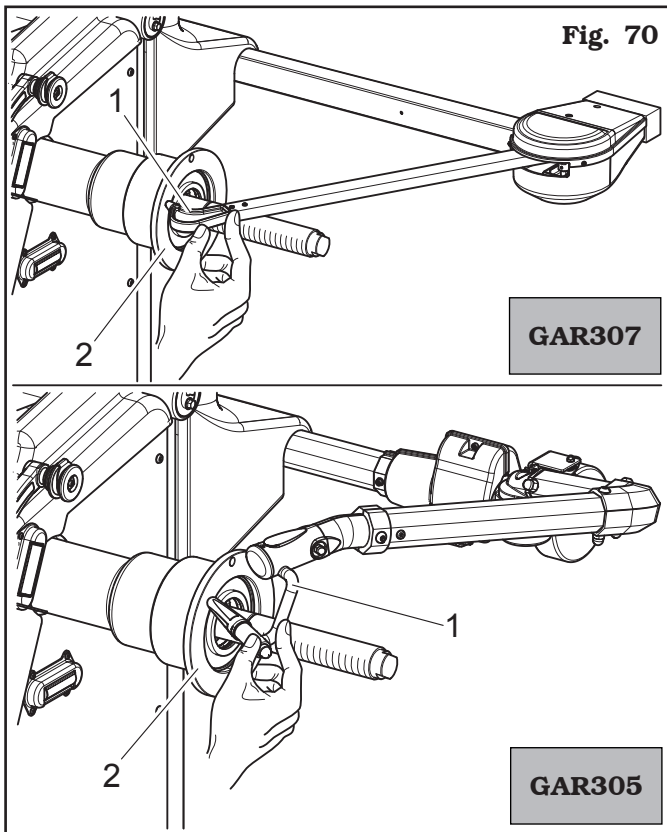


Press button

On the monitor the next screen page will be displayed:



Move the tip of the width measuring device (**Fig. 70 ref. 1**) in line with the outer surface of the flange (**Fig. 70 ref. 2**).



Press button . At the end of the operation, the following screen will appear on the monitor:



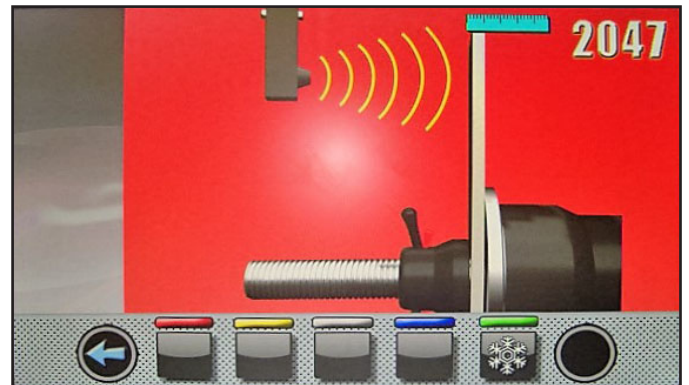
The calibration of the external data gauge is finished.

Calibration of automatic external data gauge

Mount the GAR332 sizing body onto the mandrel and fix it through the special locking devices.



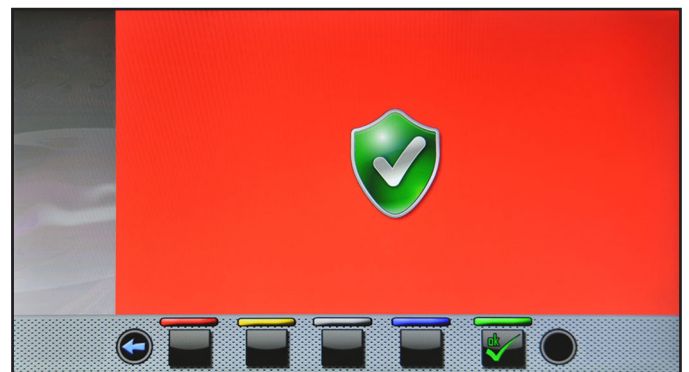
Press the button to display the following screen page on the monitor:



Close the wheel cover until bringing the automatic width sensor next to the sizing body previously installed.



Press button . At the end of the operation, the following screen will appear on the monitor:



The calibration of the automatic external data gauge is finished.

15.2.4 Mobile laser pointer calibration

To perform this calibration, you need two wheels with a wide rim diameter difference, a small one measuring 13"/14", and a large one measuring 18"/19".

Press the button  (Fig. 63 ref. 4) to display the following screen page on the monitor:



Mount the small wheel (13"/14" diameter) onto the mandrel and apply an adhesive weight in any point inside the rim. At the end of the operation press push

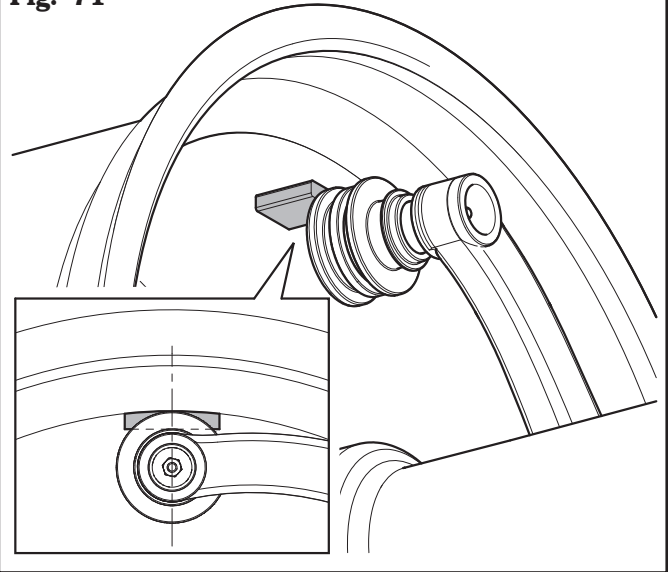
button .

On the monitor the next screen page will be displayed:



Let the weights fitting gripper of the caliper come into contact with the previously applied weight, by manually rotating the wheel too and taking care to bring it into contact with the weight's central area (see Fig. 71).

Fig. 71



Keep the caliper in position and press push button



. On the monitor the next screen page will be displayed:





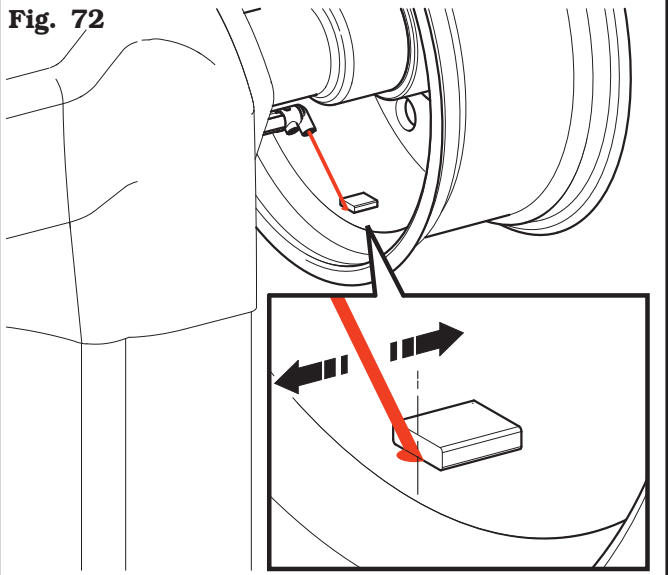
Use push button  or  and by manually rotating the wheel too, make the laser pointer hit the reference point previously taken, as shown in Fig. 72.

Fig. 72





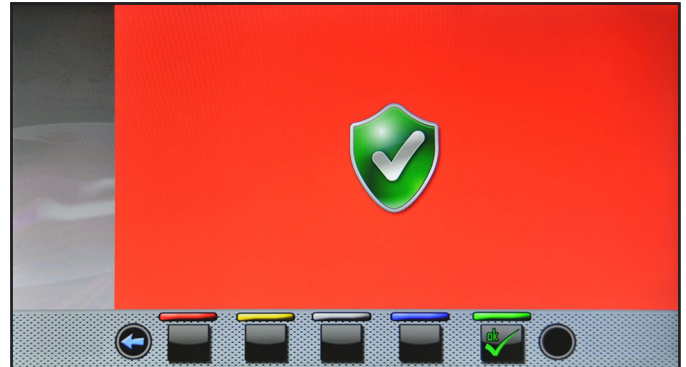
When the button is pressed the measure is displayed and the monitor will show the following screen page:



Replace the small wheel (13"/14") with the large one (18"/19") and repeat the previously described opera-

tions.

At the end of the calibration, the following screen page will be displayed:



The calibration of the laser is finished.

16.0 ERROR SIGNALS

During wheel balancer operation, if wrong commands are given by the operator or device faults occur, an error code may appear on the monitor screen.

Below is a troubleshooting chart.

Error code	Description
2	Planned wheel speed not reached
3	Calibration overcoming
4	Wheel speed stability out of tolerance
5	Encoder calibration error
6	Encoder samples not sufficient
7	Mandrel calibration error
8	Piezo calibration values out of tolerance
9	Wheel rotations not completed
10	Pneumatic mandrel open
11	Incorrect gain calibration
12	Distance-diameter caliper value not released
13	Distance-diameter caliper value not released
14	Firmware error
15	Runout samples not sufficient
17	External data gauge enabled
27	Rotate the wheel to make a complete rotation
28	Piezo calibration error
29	Distance out of tolerance level
31	Distance-diameter caliper released
32	Parameters format incompatible

17.0 ROUTINE MAINTENANCE



BEFORE CARRYING OUT ANY ROUTINE MAINTENANCE OR ADJUSTMENT PROCEDURE, POSITION THE MAIN SWITCH "0", DISCONNECT THE MACHINE FROM THE ELECTRICITY SUPPLY USING THE SOCKET/PLUG COMBINATION AND CHECK THAT ALL MOBILE PARTS ARE AT A STANDSTILL.



BEFORE EXECUTING ANY MAINTENANCE OPERATION, MAKE SURE THERE ARE NO WHEELS LOCKED ONTO THE MANDREL.



PNEUMATICALLY UNPLUG THE MACHINE (ONLY FOR LIBRAK380P - LIBRAK380PS - LIBRAK380PW - LIBRAK380PWS).

To guarantee the efficiency and correct functioning of the machine, it is essential to carry out daily or weekly cleaning and weekly routine maintenance, as described below.

Cleaning and routine maintenance must be conducted by authorized personnel and according to the instructions given below.

- Remove deposits of tyre powder and other waste materials with a vacuum cleaner.

DO NOT BLOW IT WITH COMPRESSED AIR.

- Do not use solvents to clean the pressure regulator.



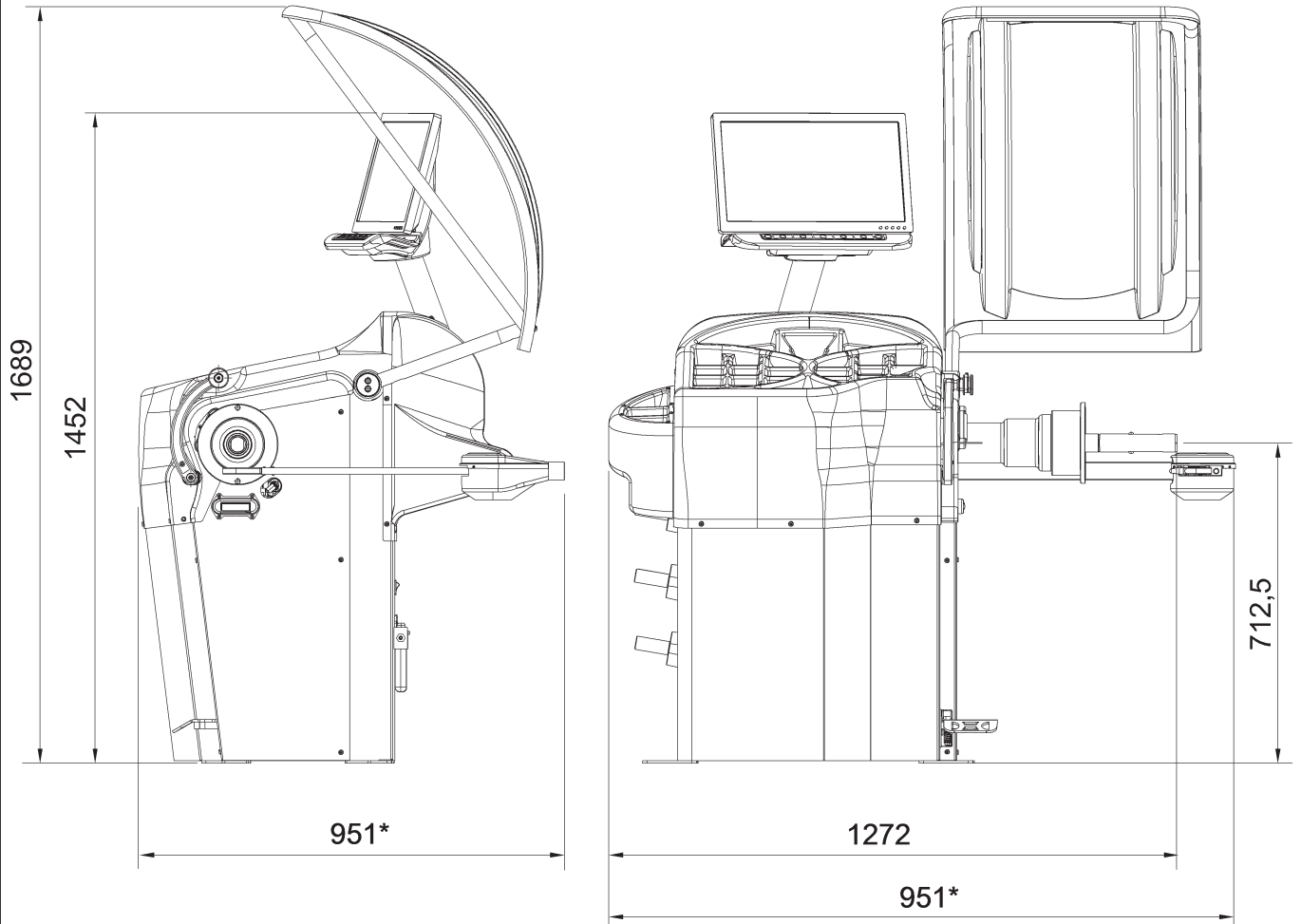
ANY DAMAGE TO THE MACHINE DEVICES RESULTING FROM THE USE OF LUBRICANTS OTHER THAN THOSE RECOMMENDED IN THIS MANUAL WILL RELEASE THE MANUFACTURER FROM ANY LIABILITY!!

18.0 TECHNICAL DATA

	LIBRAK							
	380	380P	380S	380PS	380W	380PW	380WS	380PWS
Wheel max. weight (Kg)	70							
Max. absorbed voltage (W)	200							
Power supply	230V 50/60 Hz 1 ph							
Balancing precision (g)	± 1							
Balancing speed (rpm)	< 100							
Rim width setting (inches)	1.5" ÷ 22"							
Rim diameter setting (inches)	10" ÷ 30"							
Max wheel diameter inside protection (inches)	44"							
Max wheel width inside protection (mm)	560							
Sound emission level (dBA)	<70							
Cycle time (sec)	6							
Weight (Kg)	130							

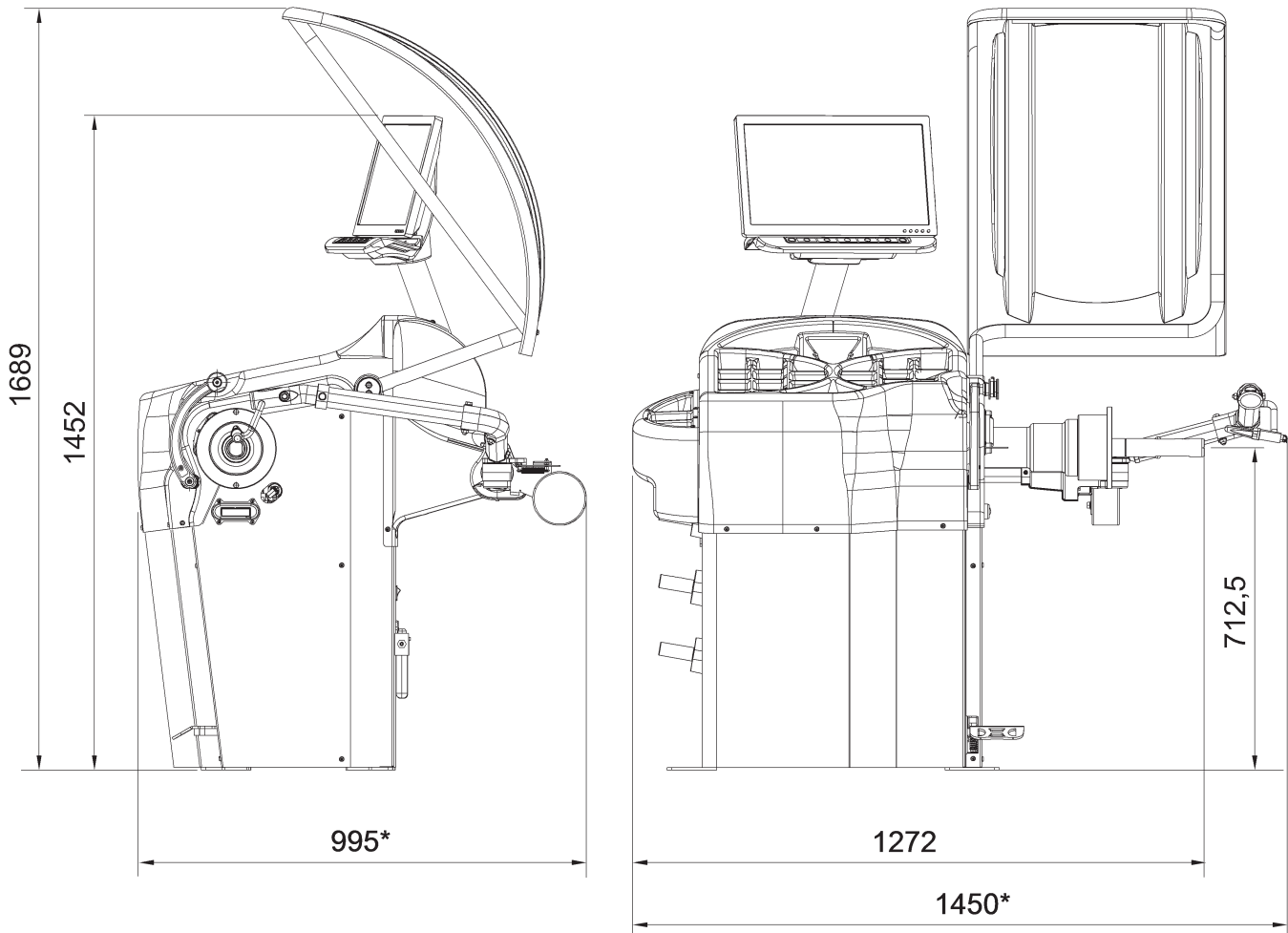
18.1 Dimensions

Fig. 73



* Only for LIBRAK380 and LIBRAK380P versions

Fig. 74



* Only for LIBRAK380S and LIBRAK380PS versions

19.0 STORING

If storing for long periods disconnect the main power supply and take measures to protect the machine from dust build-up. Lubricate parts that could be damaged from drying out.

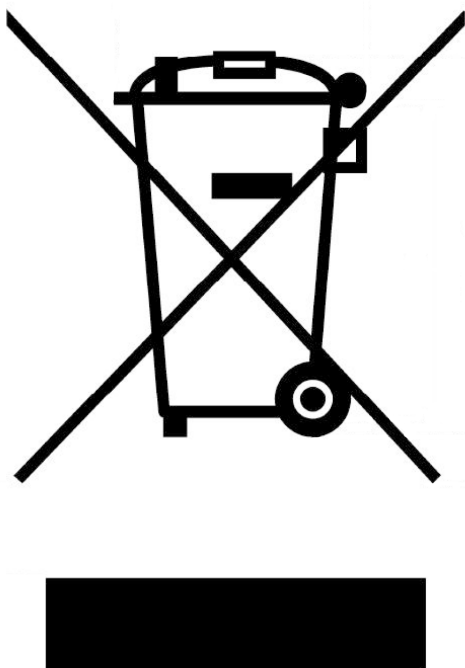
20.0 SCRAPPING

When the decision is taken not to make further use of the machine, it is advisable to make it inoperative by removing the connection pressure hoses. The machine is to be considered as special waste and should be dismantled into homogeneous parts. Dispose of it in accordance with current legislation.

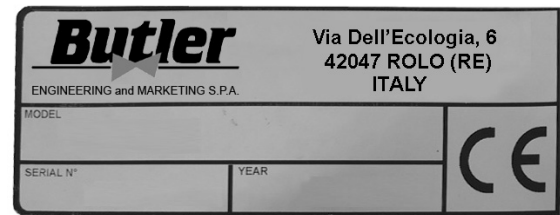
Instructions for the correct management of waste from electric and electronic equipment (WEEE) according to the Italian legislative decree 49/14

In order to inform the users on the correct way to dispose the product (as required by the article 26, paragraph 1 of the Italian legislative decree 49/14), we communicate what follows: the meaning of the crossed dustbin symbol reported on the equipment indicates that the product must not be thrown among the undifferentiated rubbish (that is to say together with the "mixed urban waste"), but it has to be managed separately, to let the WEEE go through special operations for their reuse or treatment, in order to remove and dispose safely the waste that could be dangerous for the environment and to extract and recycle the raw materials to be reused.

Fig. 75



21.0 REGISTRATION PLATE DATA



The validity of the Conformity Declaration enclosed to this manual is also extended to products and/or devices the machine model object of the Conformity Declaration can be equipped with.



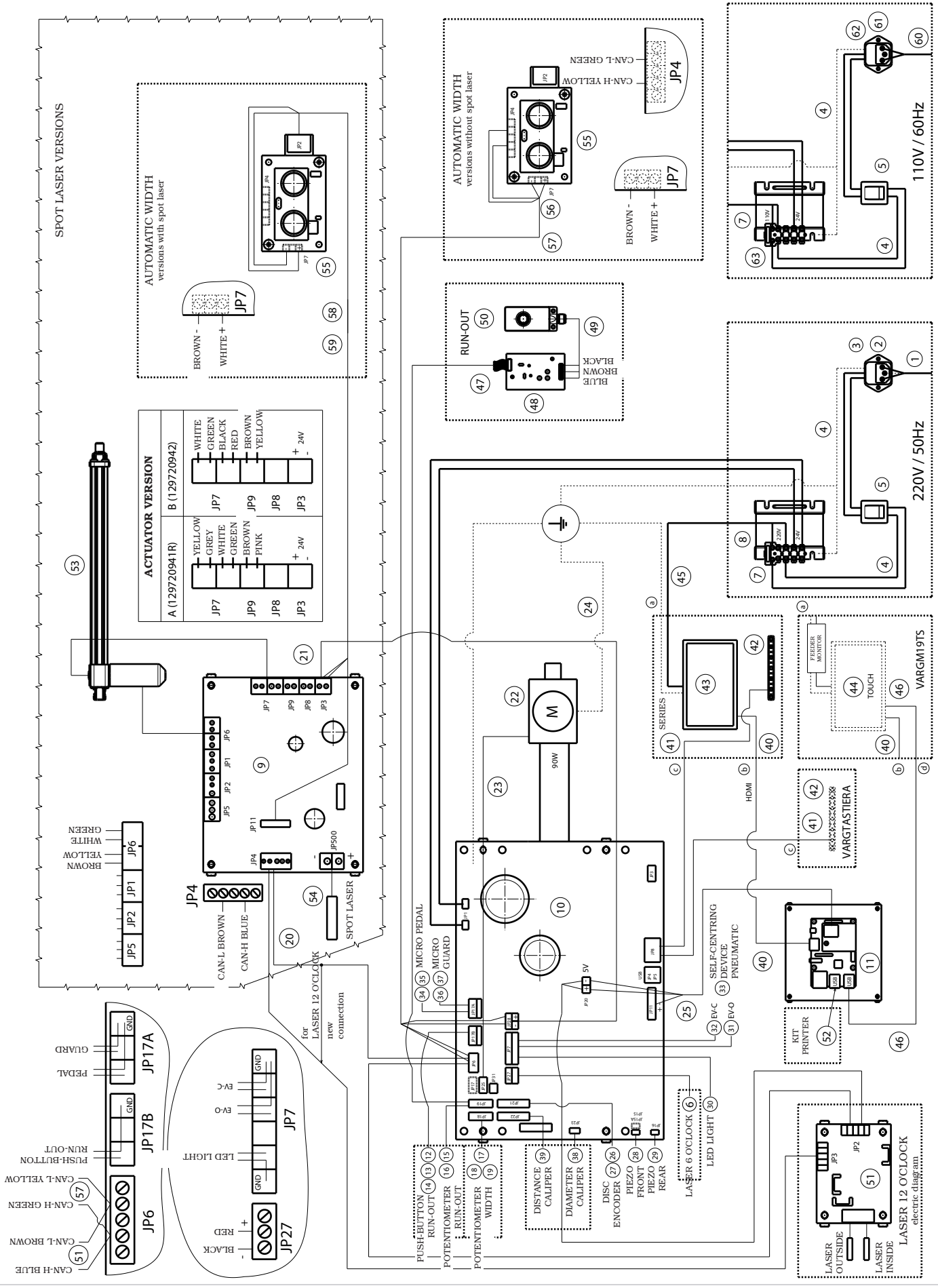
ATTENTION: TAMPERING WITH, CARVING, CHANGING ANYHOW OR EVEN REMOVING MACHINE IDENTIFICATION PLATE IS ABSOLUTELY FORBIDDEN; DO NOT COVER IT WITH TEMPORARY PANELS, ETC., SINCE IT MUST ALWAYS BE VISIBLE.

Said plate must always be kept clean from grease residues or filth generally.

WARNING: Should the plate be accidentally damaged (removed from the machine, damaged or even partially illegible) inform immediately the manufacturer.

22.0 FUNCTIONAL DIAGRAMS

Here follows a list of the machine functional diagrams.



LIBRAK380 - LIBRAK380P - LIBRAK380S - LIBRAK380PS - LIBRAK380W - LIBRAK380PW - LIBRAK380WS - LIBRAK380PWS



**WIRING CONNECTION
DIAGRAM**

1297-M003_3_B

ENGINEERING and MARKETING S.P.A.

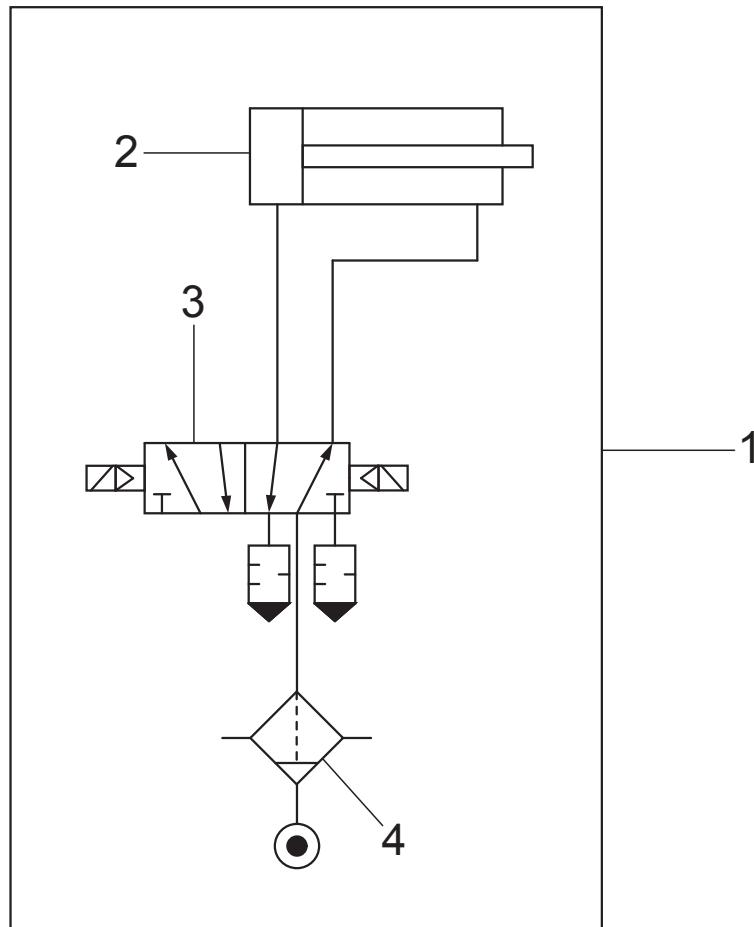
Table N°A - Rev. 1

129705522

Page 65 of 67

GB

- KEY**
- 1 - Power supply cable
 - 2 - Net filter
 - 3 - Fuse
 - 4 - Cable from switch to filter to transformer
 - 5 - Tilting switch
 - 6 - Line laser (with cable) (for GAR321 and GAR322)
 - 7 - Fuse
 - 8 - Transformer
 - 9 - Automatic measuring device electronics kit
 - 10 - Power card kit
 - 11 - Monitor SBC kit
 - 12 - Run-out push button cables (for GAR303)
 - 13 - Run-out keyboard extension cable (for GAR303)
 - 14 - Push-button panel with 1 key (for GAR303)
 - 15 - Run-out ultrasound sensor cable extension (for GAR303)
 - 16 - Potentiometer with cable (for GAR303)
 - 17 - Width potentiometer extension cable (for GAR303, GAR305, GAR307)
 - 18 - Width cables (for GAR303, GAR305)
 - 19 - Potentiometer with shielded cable (for GAR307)
 - 20 - Can Bus long extension cable
 - 21 - Power supply cable assembly
 - 22 - 90W motor with encoder (for versions with laser spot)
- DC motor (only versions without spot laser)
 - 23 - Motor encoder cable (only versions with laser spot)
 - 24 - Motor support ground cable
 - 25 - Power supply cable
 - 26 - Wheel position sensor cable
 - 27 - Buffered encoder card
 - 28 - Piezo with front cable
 - 29 - Piezo with cable
 - 30 - Led light
 - 31 - Cable for solenoid valve SV-O (only for pneumatic self-centring device versions)
 - 32 - Cable for solenoid valve SV-C (only for pneumatic self-centring device versions)
 - 33 - Solenoid valve mounting (only for pneumatic self-centring device versions)
 - 34 - Cable for pedal micro (only for pneumatic self-centring device versions)
 - 35 - Limit switch (only for self-centring device pneumatic versions)
 - 36 - Cable for wheel micro protection
 - 37 - Limit switch
 - 38 - Potentiometer with cable
 - 39 - Buffered optical line card
 - 40 - HDMI cable
 - 41 - Push-button panel with 7 keys cables
 - 42 - 7-keys keyboard
 - 43 - Touch screen monitor 20" HDMI
 - 44 - Touch screen monitor 19"
 - 45 - Cable from transformer to power supply
 - 46 - Cable for connection USB/A -USB/B
 - 47 - Ultrasounds sensor extension cable (for GAR315, GAR316, GAR338)
 - 48 - Run-out card (for GAR315, GAR316, GAR338)
 - 49 - Cable for ultrasounds (for GAR315, GAR316, GAR338)
 - 50 - Ultrasounds sensor (for GAR315, GAR316, GAR338)
 - 51 - Electric diagram (for GAR334, GAR335)
 - 52 - Printer kit
 - 53 - Laser unit actuator
 - 54 - Laser cable + laser assembly
 - 55 - Ultrasounds sensor card (for wheel balancers with automatic width or GAR332)
 - 56 - Width card cable assembly (for wheel balancers with automatic width or GAR332)
 - 57 - Extension cable assembly (for wheel balancers with automatic width or GAR332)
 - 58 - Serial width card cable assembly (for wheel balancers with automatic width)
 - 59 - Serial extension cable assembly (for wheel balancers with automatic width)
 - 60 - Power supply cable USA plug
 - 61 - Net filter
 - 62 - Fuse
 - 63 - Fuse



KEY

- 1 - Pneumatic tightening diagram
- 2 - Tightening drive cylinder
- 3 - 5/2 NC solenoid valves
- 4 - Separating filter

LIBRAK380P - LIBRAK380PS - LIBRAK380PW - LIBRAK380PWS



ENGINEERING and MARKETING S.P.A.

1297-R003-1_B

**LIBRAK380 - LIBRAK380P
LIBRAK380S - LIBRAK380PS
LIBRAK380W - LIBRAK380PW
LIBRAK380WS - LIBRAK380PWS**

- I** 23.0 LISTA DEI COMPONENTI
- GB** 23.0 LIST OF COMPONENTS
- D** 23.0 TEILELISTE
- F** 23.0 LISTE DES PIÈCES DETACHÉES
- E** 23.0 LISTA DE PIEZAS



GLI ESPLOSI SERVONO SOLO PER L'IDENTIFICAZIONE DELLE PARTI DA SOSTITUIRE. LA SOSTITUZIONE DEVE ESSERE EFFETTUATA DA PERSONALE PROFESSIONALMENTE QUALIFICATO.



THE DIAGRAMS SERVE ONLY FOR THE IDENTIFICATION OF PARTS TO BE REPLACED. THE REPLACEMENT MUST BE CARRIED OUT PROFESSIONALLY QUALIFIED PERSONNEL.



DIE ZEICHNUNGEN DIENEN NUR ZUR IDENTIFIZIERUNG DER ERSATZTEILE. DIE ERSETZUNG MUSS DURCH QUALIFIZIERTES PERSONAL ERFOLGEN.



LES DESSINS NE SERVENT QU'À L'IDENTIFICATION DES PIÈCES À REMPLACER. LE REMPLACEMENT DOIT ÊTRE EFFECTUÉ PAR UN PERSONNE PROFESSIONNELLEMENT QUALIFIÉ.



LOS DIBUJOS EN DESPIECE SIRVEN ÚNICAMENTE PARA IDENTIFICAR LAS PIEZAS QUE DEBEN SUSTITUIRSE. LA SUSTITUCIÓN DE PIEZAS DEBE EFECTUARLA EXCLUSIVAMENTE PERSONAL PROFESIONALMENTE CUALIFICADO.

- Per eventuali chiarimenti interpellare il più vicino rivenditore oppure rivolgersi direttamente a:
- For any further information please contact your local dealer or call:
- Im Zweifelsfall oder bei Rückfragen wenden Sie sich bitte an den nächsten Wiederverkäufer oder direkt an:
- Pour tout renseignement complémentaire s'adresser au revendeur le Plus proche ou directement à:
- En caso de dudas, para eventuales aclaraciones, póngase en contacto con el distribuidor más próximo ó diríjase directamente a:

BUTLER ENGINEERING and MARKETING S.p.A. a s. u.

Via dell'Ecologia, 6 - 42047 Rolo - (RE) Italy

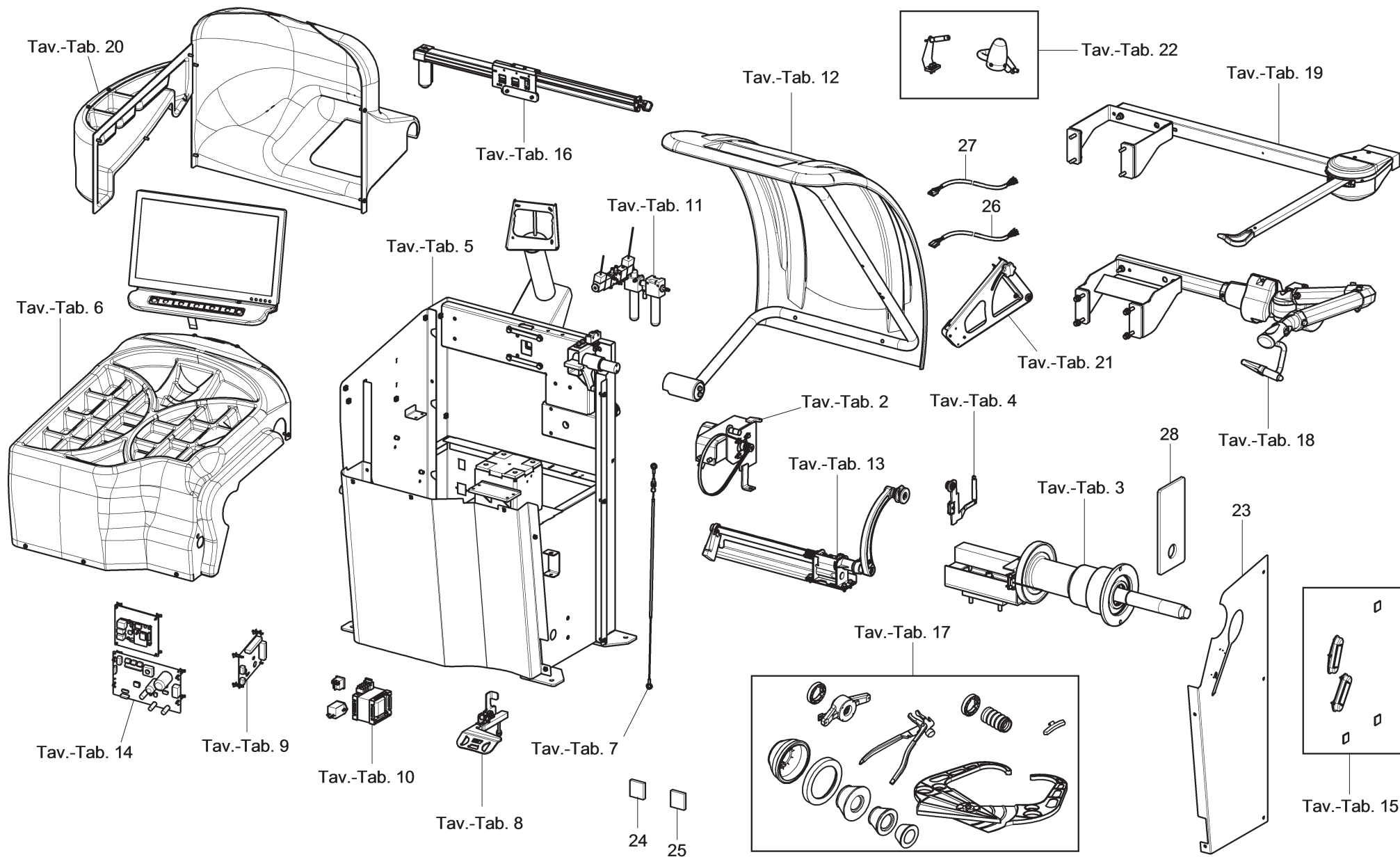
Phone (+39) 0522 647911 - Fax (+39) 0522 649760 - e-mail: Info@butler.it

1297-R003-1_B - Rev. n. 1 (02/2018)

SOMMARIO - SUMMARY - INHALT SOMMAIRE - SUMARIO

Tavola N°1 - Rev. 1 ____ 4 ASSIEME GENERALE MAIN ASSEMBLY GENERALSATZ ASSEMBLAGE GENERAL JUNTO GENERAL	Tavola N° 9 - Rev. 1 ____ 129794221 17 GRUPPO SCHEDA AGGIUNTIVA LASER LASER ADDITIONAL CARD UNIT SATZ VON ZUSÄTZLICHE LASER-KARTE GROUPE CARTE ADDITIONNELLE LASER GRUPO FICHA AÑADIVA LASER
Tavola N°2A - Rev. 1 ____ 129690073 7 GRUPPO MOTORE MOTOR UNIT MOTORSATZ GROUPE MOTEUR GRUPO MOTOR	Tavola N°10 - Rev. 1 ____ 129790131 18 GRUPPO IMPIANTO ELETTRICO ELECTRICAL SYSTEM UNIT SATZ VON ELEKTROANLAGE GROUPE INSTALLATION ÉLECTRIQUE GRUPO INSTALACIÓN ELÉCTRICA
Tavola N°2B - Rev. 1 ____ 129692322 8 GRUPPO MOTORE MOTOR UNIT MOTORSATZ GROUPE MOTEUR GRUPO MOTOR	Tavola N°11 - Rev. 1 ____ 129390311 19 IMPIANTO SERRAGGIO PNEUMATICO PNEUMATIC TIGHTENING SYSTEM ANLAGE FÜR PNEUMATISCHE AUFSPANNUNG SYSTÈME SERRAGE PNEUMATIQUE SISTEMA APRIETE NEUMÁTICO
Tavola N°3A - Rev. 1 ____ 129690090 9 GRUPPO ROTANTE COMPLETO COMPLETE ROTARY UNIT KOMPLETTER ROTIERENDER SATZ GROUPE ROTATIF COMPLET GRUPO GIRATORIO COMPLETO	Tavola N°12 - Rev. 1 ____ 129791580 20 GRUPPO PROTEZIONE RUOTA WHEEL PROTECTION UNIT SATZ FÜR RADSCHUTZ GROUPE PROTECTION ROUE GRUPO PROTECCIÓN RUEDA
Tavola N°3B - Rev. 1 ____ 129690030 10 GRUPPO ROTANTE COMPLETO COMPLETE ROTARY UNIT KOMPLETTER ROTIERENDER SATZ GROUPE ROTATIF COMPLET GRUPO GIRATORIO COMPLETO	Tavola N°13 - Rev. 1 ____ 129791490 21 GRUPPO CALIBRO DISTANZA/DIAMETRO CALIPER UNIT DISTANCE/DIAMETER KALIBERSATZ ABSTAND/DURCHMESSER GROUPE CALIBRE DISTANCE/DIAMÈTRE GRUPO CALIBRE DISTANCIA/DIÁMETRO
Tavola N°4 - Rev. 0 ____ 129690292 11 GRUPPO FRENO BRAKE UNIT BREMSATZ GROUPE FREIN GRUPO FRENO	Tavola N°14 - Rev. 1 ____ 129792331 22 GRUPPO ELETTRONICA ELECTRONICS UNIT ELEKTRONIKSATZ GROUPE ÉLECTRONIQUE GRUPO ELECTRÓNICA
Tavola N°5 - Rev. 1 ____ 129791644 12 GRUPPO TELAIO FRAME UNIT RAHMENSATZ GROUPE CHASSIS GRUPO ESTRUCTURA	Tavola N°15 - Rev. 1 ____ 129794250 23 GRUPPO ILLUMINATORE LIGHTING DEVICE UNIT BELEUCHTUNGSATZ GROUPE DISPOSITIF D'ÉCLAIRAGE GRUPO ILUMINADOR
Tavola N°6 - Rev. 1 ____ 129792412 13 GRUPPO PLANCIA MONITOR 19" 19" MONITOR BOARD UNIT MONITOR-BRETTSATZ GROUPE PLANCHE MONITOR GRUPO TABLERO MONITOR	Tavola N°16 - Rev. 1 ____ 129794650 24 GRUPPO LASER SPOT SPOT LASER UNIT SPOT LASER SATZ GROUPE LASER SPOT GRUPO LASER SPOT
Tavola N°7 - Rev. 0 ____ 129791780 14 GRUPPO AZIONAMENTO FRENO BRAKE OPERATION GROUP SATZ FÜR BREMSBETÄTIGUNG GROUPE ACTIONNEMENT FREIN GRUPO ACCIONAMIENTO FRENO	Tavola N°17A - Rev. 1 ____ 25 DOTAZIONE A A EQUIPMENT AUSSTATTUNG A DOTATION A DOTACION A
Tavola N°8A - Rev. 1 ____ 129794590 15 GRUPPO PEDALIERA CON FILO PEDALBOARD UNIT WITH CLAMP PEDALLEISTESATZ MIT DRAHT GROUPE PÉDALES DE DIRECTION AVEC INOX GRUPO PEDALERA CON FILO	Tavola N°17B - Rev. 1 ____ 26 DOTAZIONE B B EQUIPMENT AUSSTATTUNG B DOTATION B DOTACION B
Tavola N°8B - Rev. 1 ____ 129794600 16 GRUPPO PEDALIERA CON FILO PEDALBOARD UNIT WITH CLAMP PEDALLEISTESATZ MIT DRAHT GROUPE PÉDALES DE DIRECTION AVEC INOX GRUPO PEDALERA CON FILO	Tavola N°17C - Rev. 1 ____ 27 DOTAZIONE C C EQUIPMENT AUSSTATTUNG C DOTATION C DOTACION C

Tavola N°17D - Rev. 1 _ 28	Tavola N°20A - Rev. 0 _ 129791741 33
<i>DOTAZIONE D D EQUIPMENT AUSSTATTUNG D DOTATION D DOTACION D</i>	<i>GRUPPO COMPLETAMENTO PLANCIA BOARD COMPLETION UNIT BRETT-AUSBAUSATZ GROUPE D'ACHÈVEMENT PLANCHE GRUPO DE ACEBADO TABLERO</i>
Tavola N°17E - Rev. 0 _ 29	Tavola N°20B - Rev. 0 _ 129794440 34
<i>DOTAZIONE E E EQUIPMENT AUSSTATTUNG E DOTATION E DOTACION E</i>	<i>GRUPPO COMPLETAMENTO FRAME COMPLETION UNIT AUSBAUSATZ GROUPE D'ACHÈVEMENT GRUPO DE ACEBADO</i>
Tavola N°17F - Rev. 0 _ 30	Tavola N°21 - Rev. 0 __ GAR332 35
<i>DOTAZIONE F F EQUIPMENT AUSSTATTUNG F DOTATION F DOTACION F</i>	<i>GRUPPO MISURATORE LARGHEZZA AUTOMATICO AUTOMATIC MEASURING DEVICE UNIT AUTOMATISCHE BREITEN-MESSVORRICHTUNG GROUPE MESUREUR AUTOMATIQUE DE LA LARGEUR GRUPO MEDIDOR ANCHO AUTOMÁTICO</i>
Tavola N°18 - Rev. 1 __ GAR305 31	Tavola N°22 - Rev. 0 __ GAR334 36
<i>CALIBRO LARGHEZZA PROFESSIONALE PROFESSIONAL EXTERNAL DATA GAUGE BERUFLICHE BREITENLEHRE CALIBRE LARGEUR PROFESSIONNEL CALIBRE ANCHO PROFESIONAL</i>	<i>DISPOSITIVO LASER ORE 12 LASER DEVICE AT 12 O' CLOCK LASERVORRICHTUNG AUF 12 UHR DISPOSITIF LASER À MIDI DISPOSITIVO LASER A LAS 12</i>
Tavola N°19 - Rev. 1 __ GAR307 32	
<i>CALIBRO LARGHEZZA RUOTE WHEEL WIDTH EXTERNAL DATA GAUGE BREITENTASTER TIGE EXTERNE LARGEUR ROUES PALPADOR ANCHURA RUEDAS</i>	





ENGINEERING and MARKETING S.P.A.

LISTA DEI COMPONENTI - LIST OF COMPONENTS - TEILELISTE
LISTE DES PIECES DETACHEES - LISTA DE PIEZAS

Tavola N°1 - Rev. 1

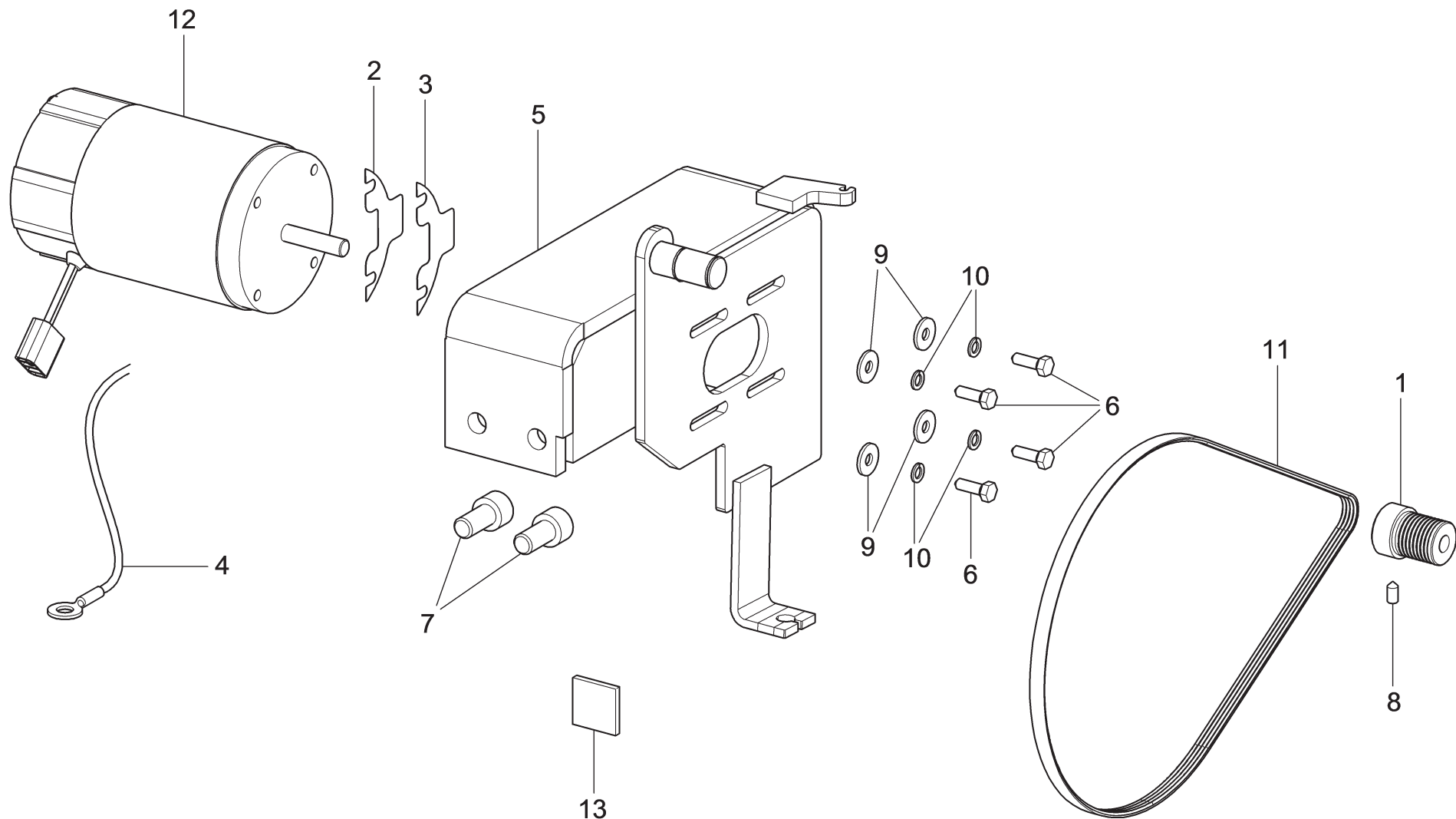
ASSIEME GENERALE
MAIN ASSEMBLY
GENERALSATZ
ASSEMBLAGE GENERAL
JUNTO GENERAL

Pag. 5 di 36

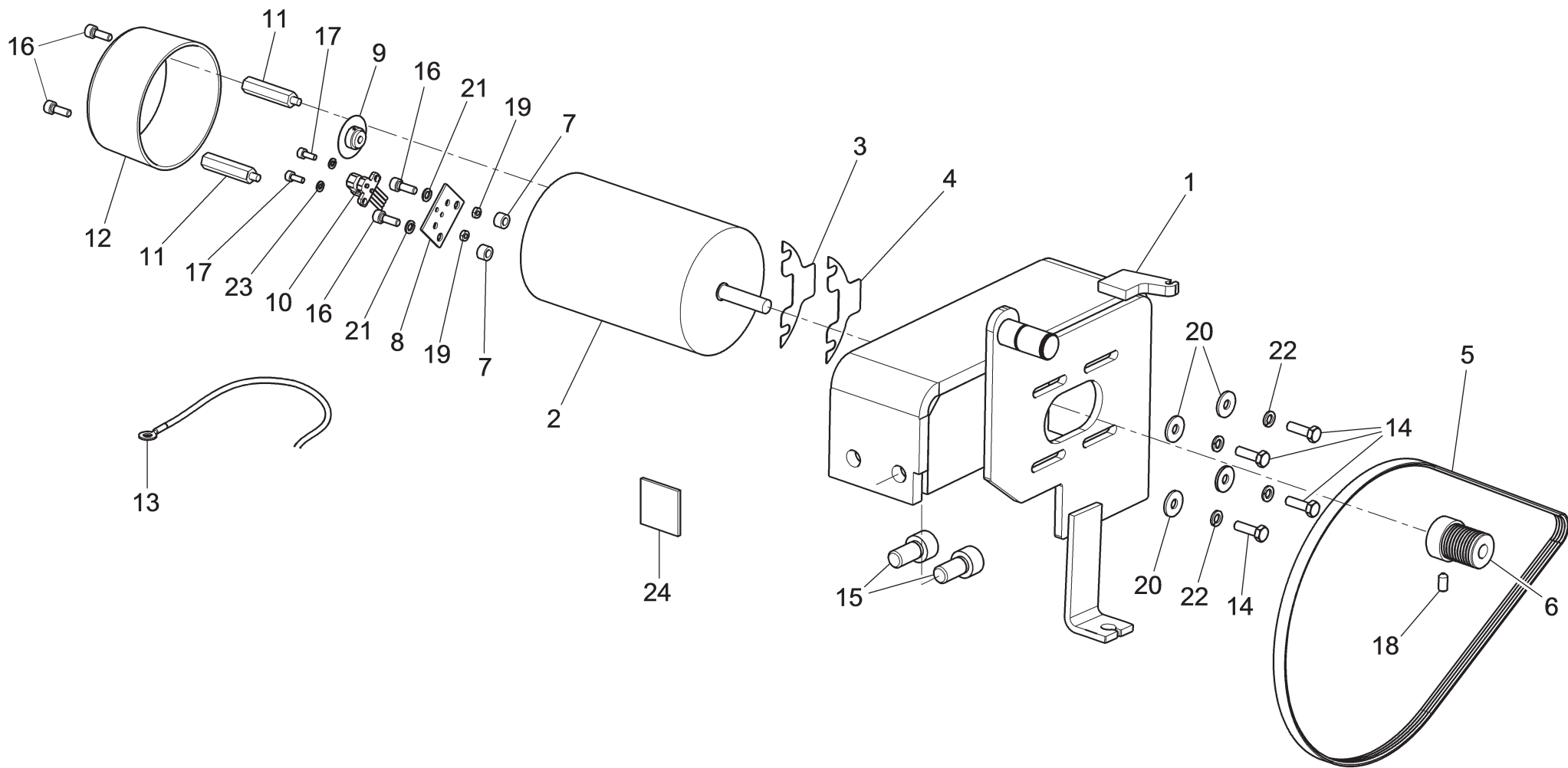
LIBRAK380 - LIBRAK380P
LIBRAK380S - LIBRAK380PS
LIBRAK380W - LIBRAK380PW
LIBRAK380WS - LIBRAK380PWS

Tav.	Cod.	Pos.	LIBRAK380	LIBRAK380P	LIBRAK380S	LIBRAK380PS	LIBRAK380W	LIBRAK380PW	LIBRAK380WS	LIBRAK380PWS
2A	129690073		•	•			•	•		
2B	129692322				•	•			•	•
3A	129690090		•		•		•		•	
3B	129690030			•		•		•		•
4	129690292		•	•	•	•	•	•	•	•
5	129791644		•	•	•	•	•	•	•	•
6	129792412		•	•	•	•	•	•	•	•
7	129791780		•	•	•	•	•	•	•	•
8A	129794590		•		•		•		•	
8B	129794600			•		•		•		•
9	129794221				•	•			•	•
10	129790131		•	•	•	•	•	•	•	•
11	129390311			•		•		•		•
12	129791580		•	•	•	•	•	•	•	•
13	129791490		•	•	•	•	•	•	•	•
14	129792331		•	•	•	•	•	•	•	•
15	129794250		•	•	•	•	•	•	•	•
16	129794650				•	•			•	•
17A	-		•							
17B	-			•						
17C	-				•					
17D	-					•				
17E							•		•	
17F								•		•
18	GAR305		OPT	OPT	•	•				
19	GAR307		•	•						
20A	129791741		•	•	•	•				
20B	129794440						•	•	•	•
21	GAR332						•	•	•	•
22	GAR334		OPT	OPT	OPT	OPT	OPT	OPT	OPT	OPT
	129715781	23A	•	•			•	•		
	129721681	23B			•	•			•	•
	599497	24	•	•	•	•	•	•	•	•

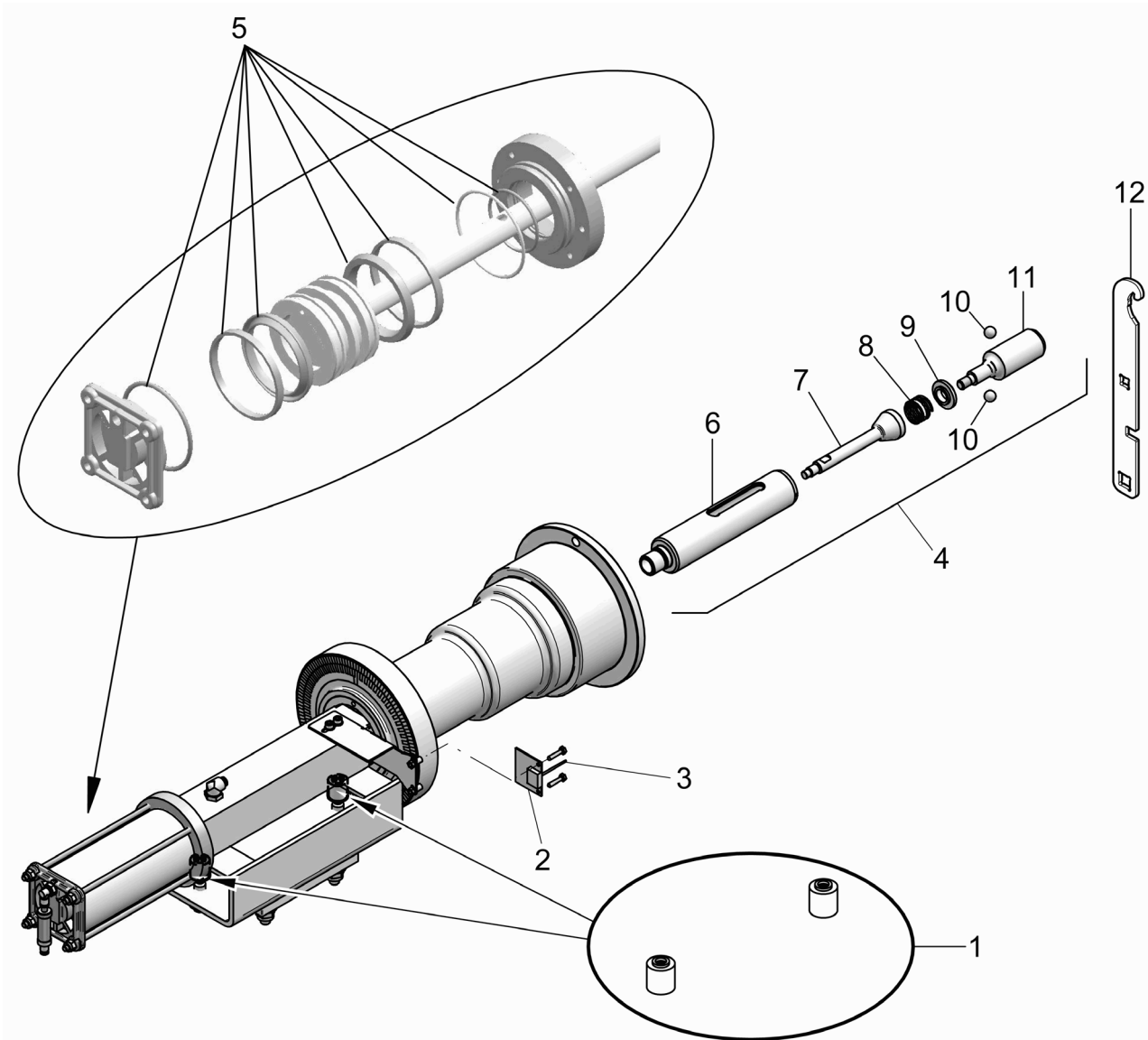
OPT = OPTIONAL



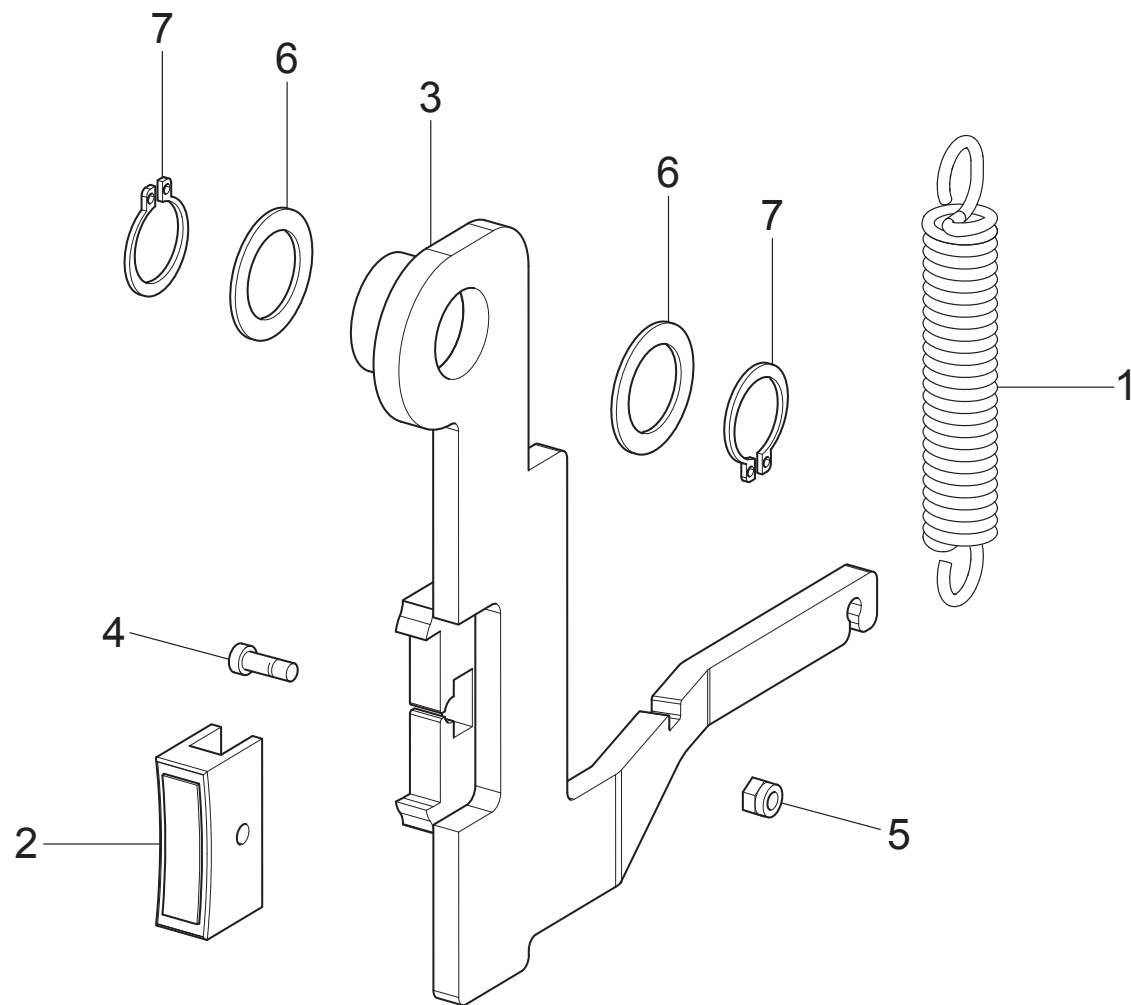
LIBRAK380	LIBRAK380P	LIBRAK380S	LIBRAK380PS	LIBRAK380W	LIBRAK380PW	LIBRAK380WS	LIBRAK380PWS
•	•			•	•		
		LISTA DEI COMPONENTI - LIST OF COMPONENTS - TEILELISTE LISTE DES PIÈCES DÉTACHÉES - LISTA DE PIEZAS			GRUPPO MOTORE MOTOR UNIT MOTORSATZ GROUPE MOTEUR GRUPO MOTOR		Pag. 7 di 36
ENGINEERING and MARKETING S.P.A.		Tavola N°2A - Rev. 1		129690073			




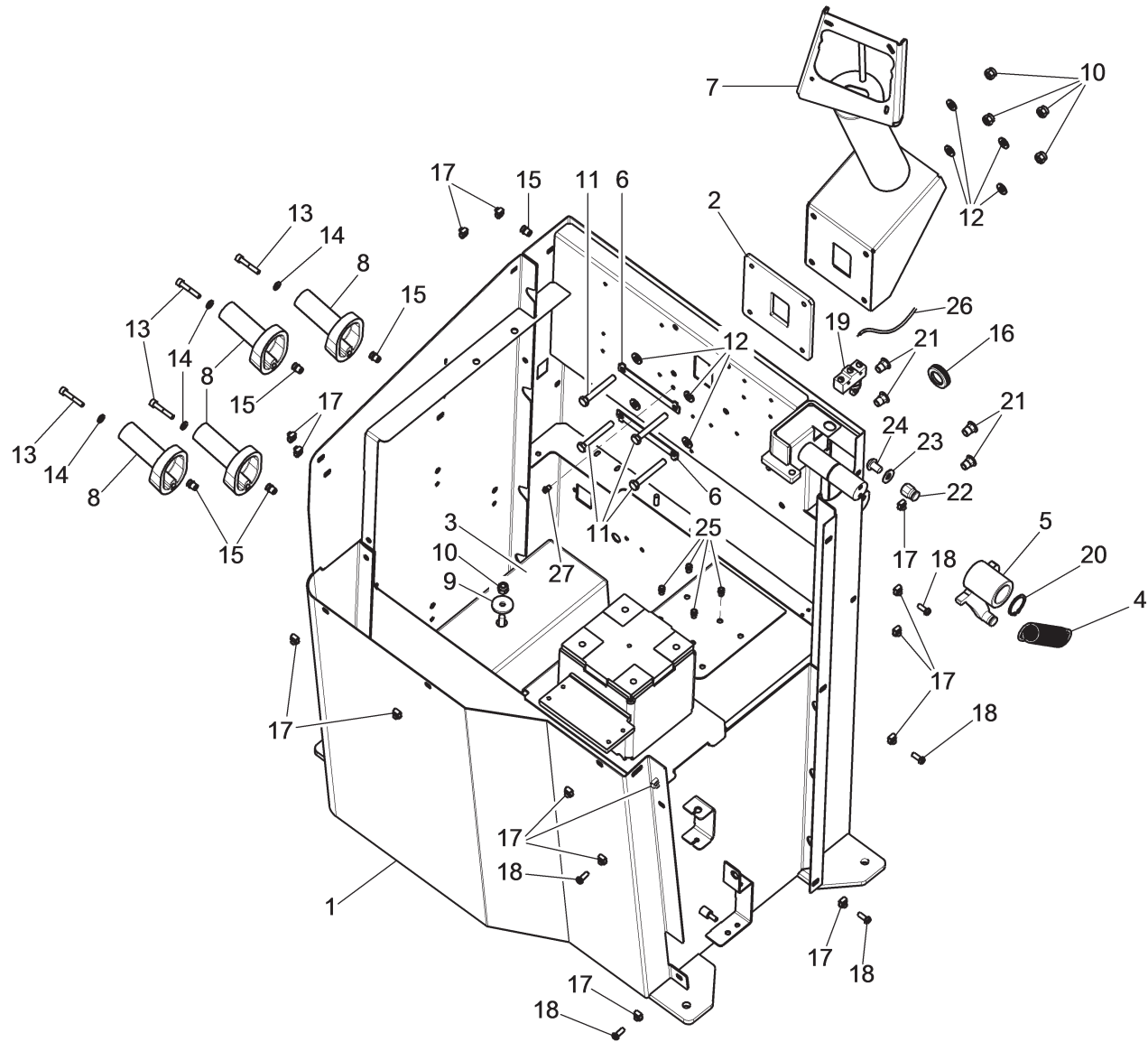
LIBRAK380	LIBRAK380P	LIBRAK380S	LIBRAK380PS	LIBRAK380W	LIBRAK380PW	LIBRAK380WS	LIBRAK380PWS		
		•	•			•	•		
 ENGINEERING and MARKETING S.P.A.		LISTA DEI COMPONENTI - LIST OF COMPONENTS - TEILELISTE LISTE DES PIÈCES DÉTACHÉES - LISTA DE PIEZAS Tavola N°2B - Rev. 1			129692322		GRUPPO MOTORE MOTOR UNIT MOTORSATZ GROUPE MOTEUR GRUPO MOTOR		Pag. 8 di 36



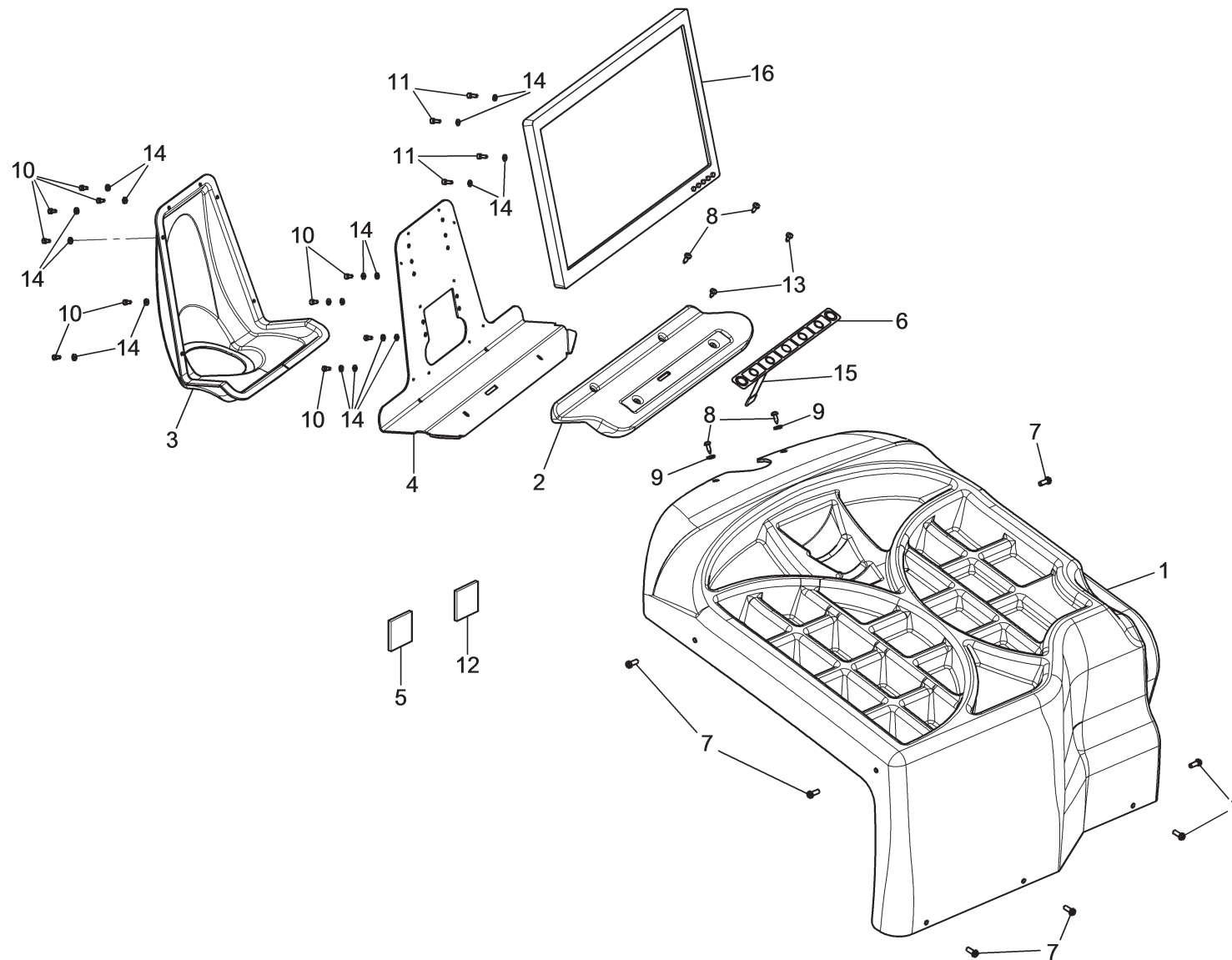
LIBRAK380	LIBRAK380P	LIBRAK380S	LIBRAK380PS	LIBRAK380W	LIBRAK380PW	LIBRAK380WS	LIBRAK380PWS
	•		•		•		•
Butler ENGINEERING and MARKETING S.P.A.				LISTA DEI COMPONENTI - LIST OF COMPONENTS - TEILELISTE LISTE DES PIÈCES DÉTACHÉES - LISTA DE PIEZAS Tavola N°3B - Rev. 1		GRUPPO ROTANTE COMPLETO COMPLETE ROTARY UNIT KOMPLETTER ROTIERENDER SATZ GROUPE ROTATIF COMPLET GRUPO GIRATORIO COMPLETO	
				129690030		Pag. 10 di 36	



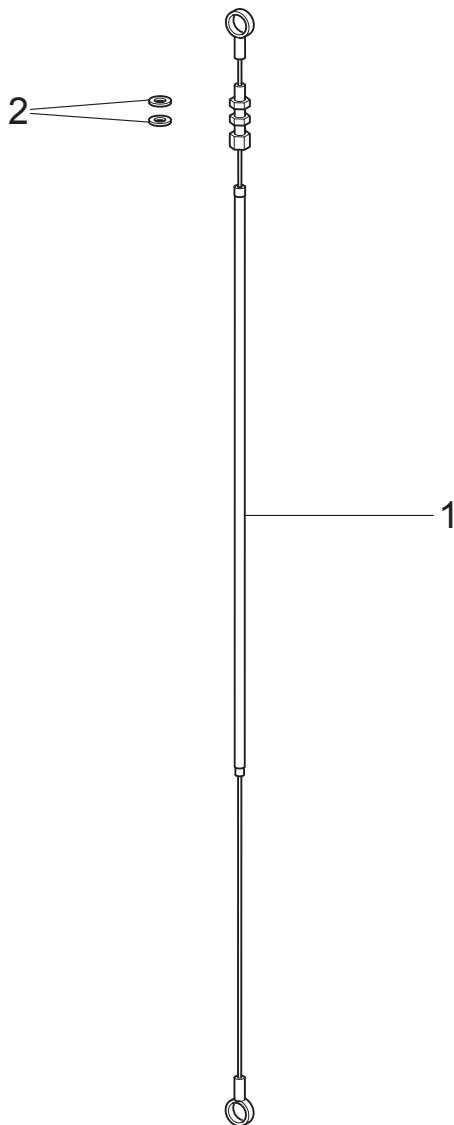
LIBRAK380	LIBRAK380P	LIBRAK380S	LIBRAK380PS	LIBRAK380W	LIBRAK380PW	LIBRAK380WS	LIBRAK380PWS
•	•	•	•	•	•	•	•
 ENGINEERING and MARKETING S.P.A.	LISTA DEI COMPONENTI - LIST OF COMPONENTS - TEILELISTE LISTE DES PIÈCES DÉTACHÉES - LISTA DE PIEZAS				GRUPPO FRENO BRAKE UNIT BREMSATZ GROUPE FREIN GRUPO FRENO		Pag. 11 di 36
	Tavola N°4 - Rev. 0		129690292				



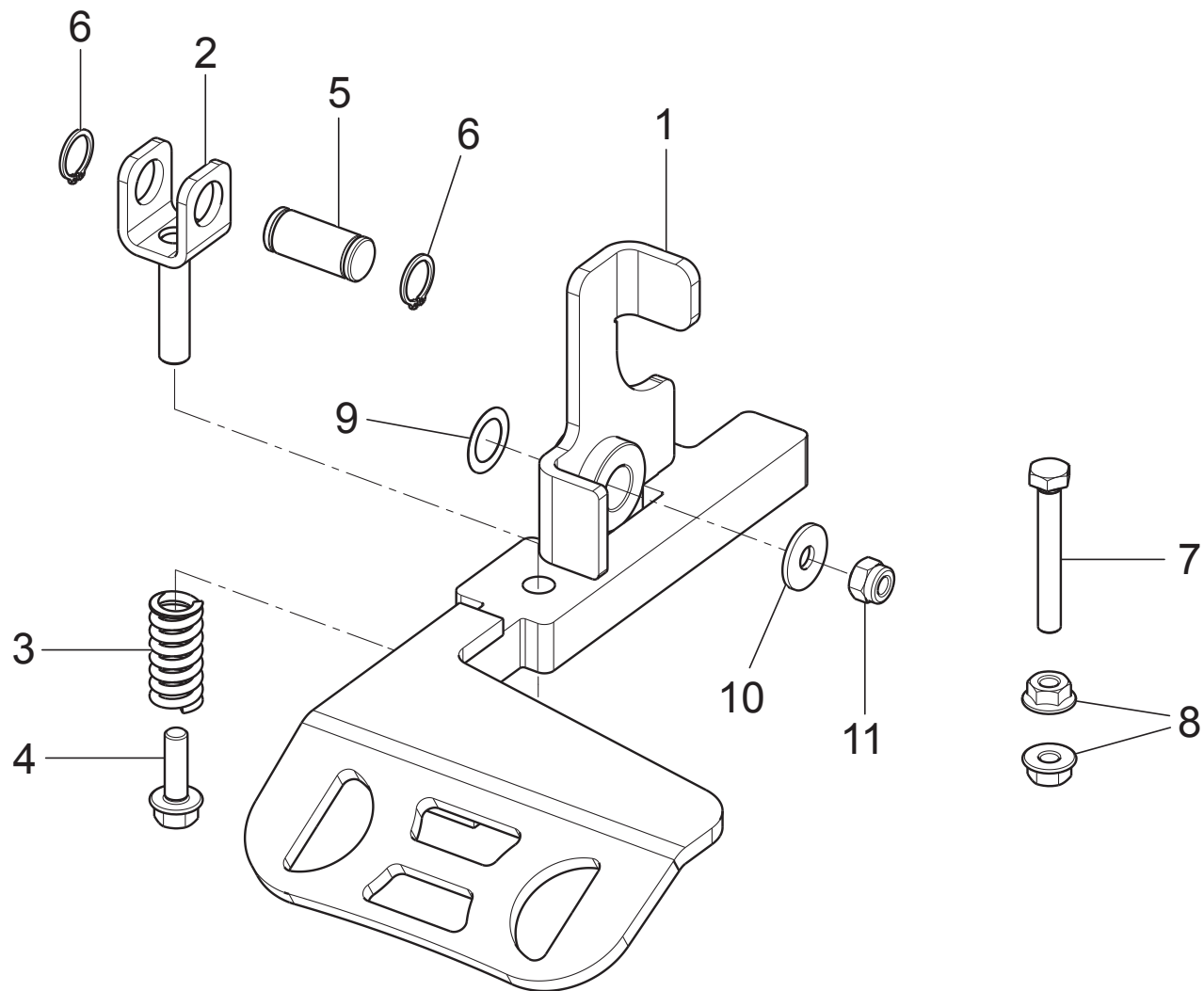
LIBRAK380	LIBRAK380P	LIBRAK380S	LIBRAK380PS	LIBRAK380W	LIBRAK380PW	LIBRAK380WS	LIBRAK380PWS
•	•	•	•	•	•	•	•
				LISTA DEI COMPONENTI - LIST OF COMPONENTS - TEILELISTE LISTE DES PIÈCES DÉTACHÉES - LISTA DE PIEZAS		GRUPPO TELAIO FRAME UNIT RAHMENSATZ GROUPE CHASSIS GRUPO ESTRUCTURA	
ENGINEERING and MARKETING S.P.A.				Tavola N°5 - Rev. 1		129791644	
						Pag. 12 di 36	



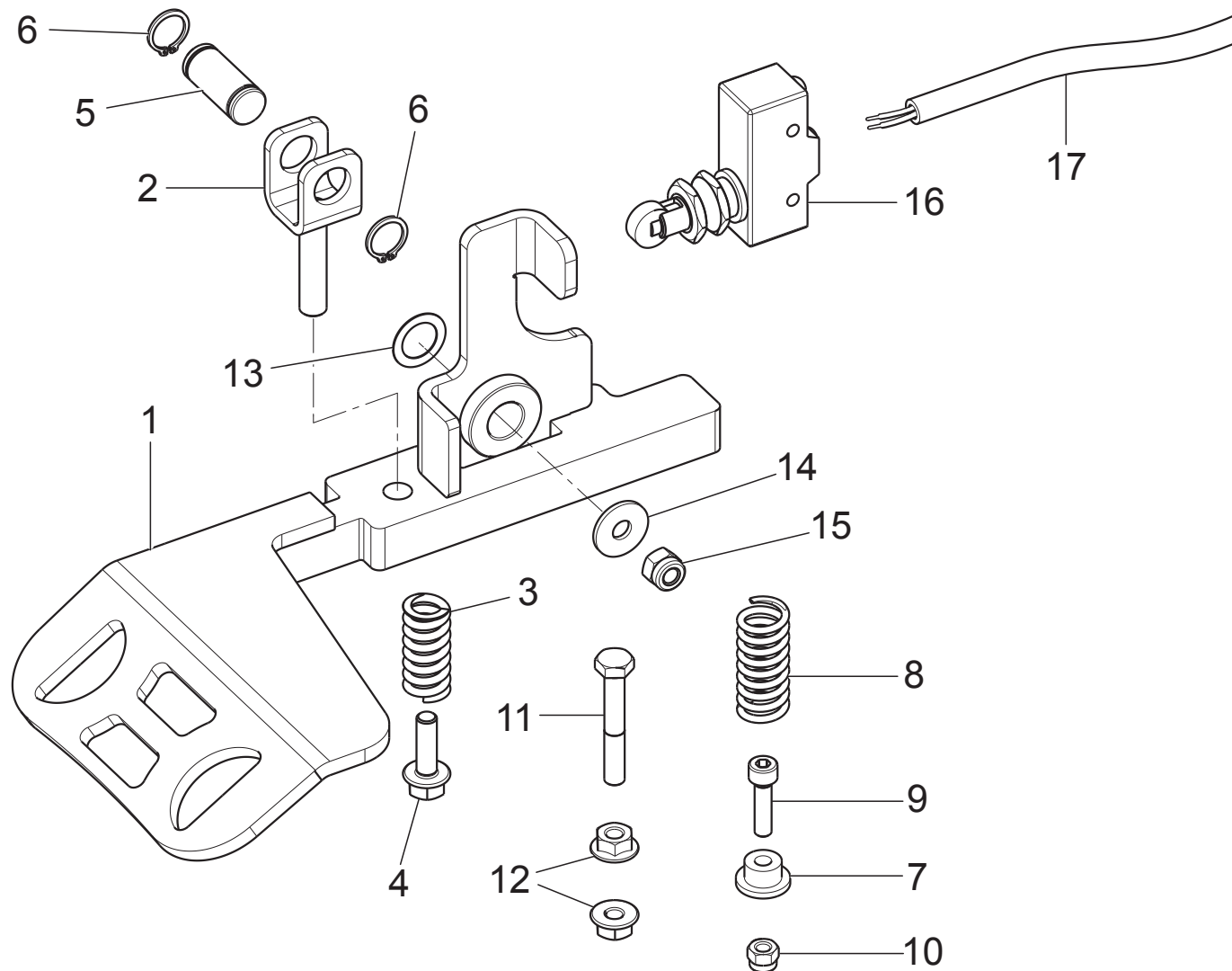
LIBRAK380	LIBRAK380P	LIBRAK380S	LIBRAK380PS	LIBRAK380W	LIBRAK380PW	LIBRAK380WS	LIBRAK380PWS
•	•	•	•	•	•	•	•
 Butler ENGINEERING and MARKETING S.P.A.				LISTA DEI COMPONENTI - LIST OF COMPONENTS - TEILELISTE LISTE DES PIÈCES DÉTACHÉES - LISTA DE PIEZAS		GRUPPO PLANCIA MONITOR 19" 19" MONITOR BOARD UNIT MONITOR-BRETTSATZ GROUPE PLANCHE MONITOR GRUPO TABLERO MONITOR	
				Tavola N°6 - Rev. 1			
						Pag. 13 di 36	



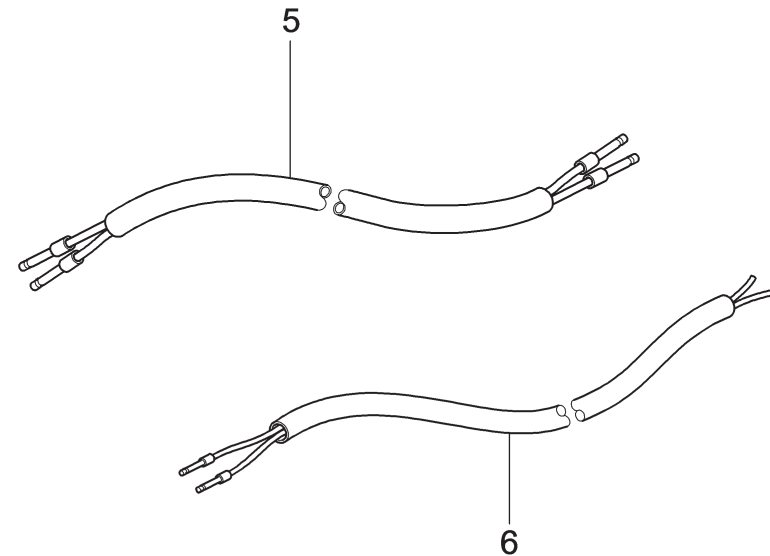
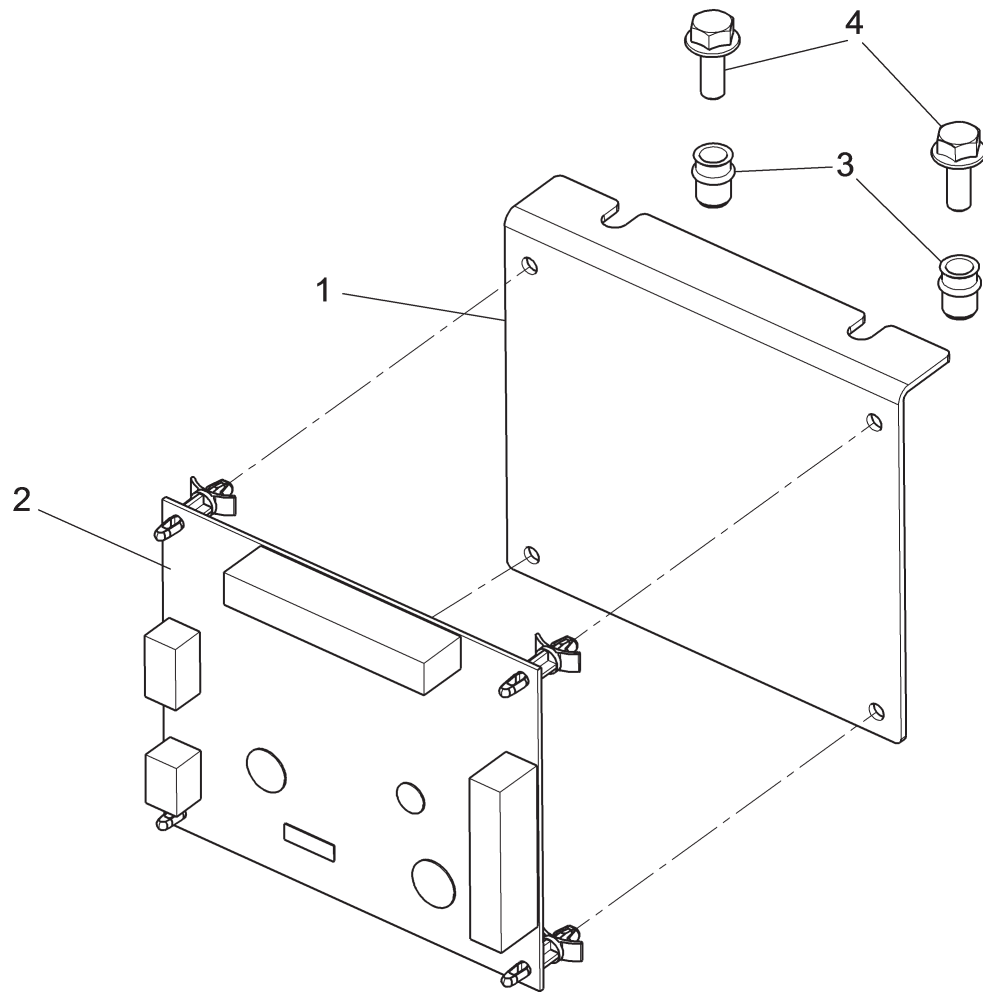
LIBRAK380	LIBRAK380P	LIBRAK380S	LIBRAK380PS	LIBRAK380W	LIBRAK380PW	LIBRAK380WS	LIBRAK380PWS
•	•	•	•	•	•	•	•
 ENGINEERING and MARKETING S.P.A.	LISTA DEI COMPONENTI - LIST OF COMPONENTS - TEILELISTE LISTE DES PIÈCES DÉTACHÉES - LISTA DE PIEZAS				GRUPPO AZIONAMENTO FRENO BRAKE OPERATION GROUP SATZ FÜR BREMSBETÄTIGUNG GROUPE ACTIONNEMENT FREIN GRUPO ACCIONAMIENTO FRENO		Pag. 14 di 36
	Tavola N°7 - Rev. 0		129791780				



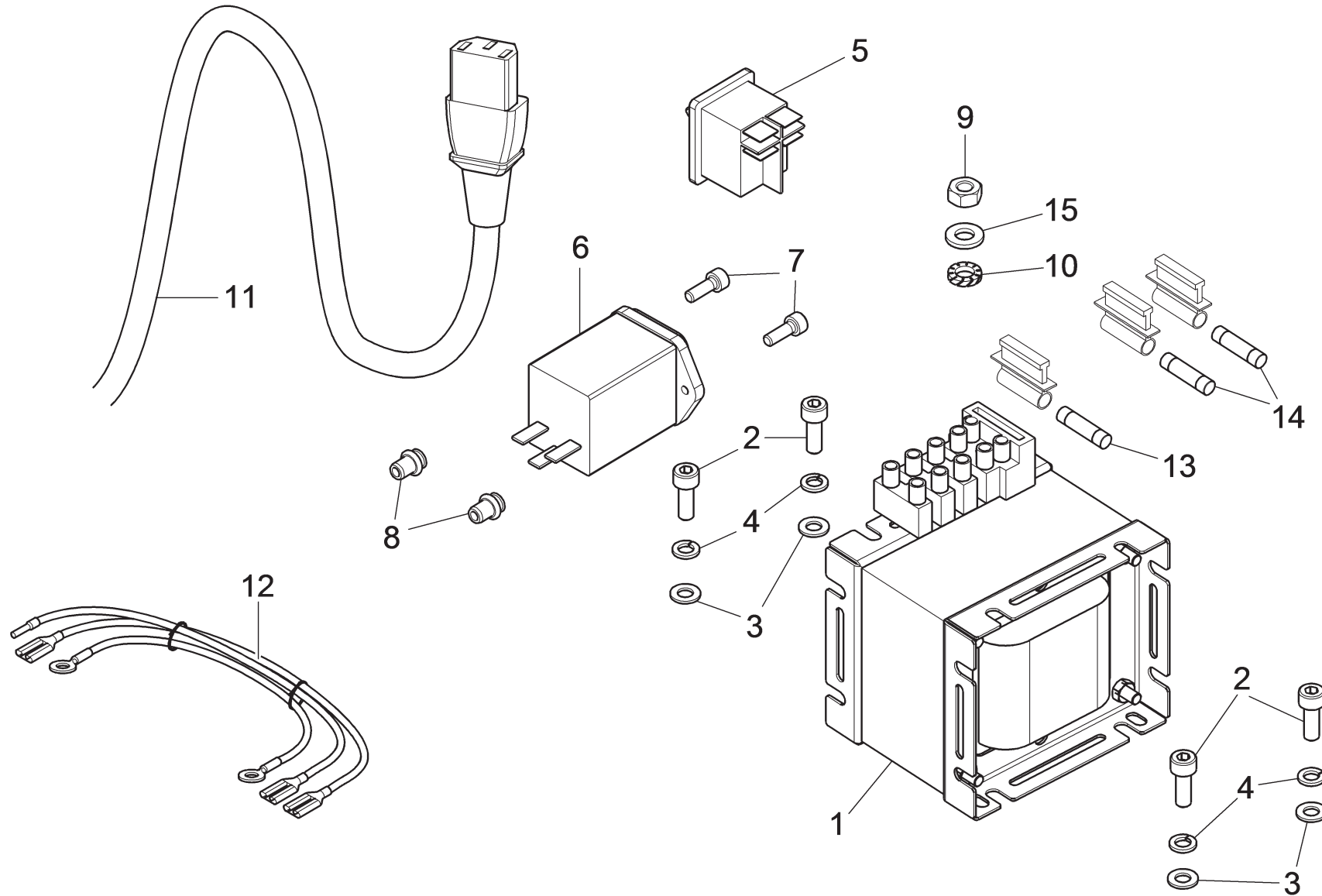
LIBRAK380	LIBRAK380P	LIBRAK380S	LIBRAK380PS	LIBRAK380W	LIBRAK380PW	LIBRAK380WS	LIBRAK380PWS
•		•		•		•	
 ENGINEERING and MARKETING S.P.A.		LISTA DEI COMPONENTI - LIST OF COMPONENTS - TEILELISTE LISTE DES PIÈCES DÉTACHÉES - LISTA DE PIEZAS			GRUPPO PEDALIERA CON FILO PEDALBOARD UNIT WITH CLAMP PEDALLEISTESATZ MIT DRAHT GROUPE PÉDALES DE DIRECTION AVEC INOX GRUPO PEDALERA CON FILO		Pag. 15 di 36
		Tavola N°8A - Rev. 1	129794590				




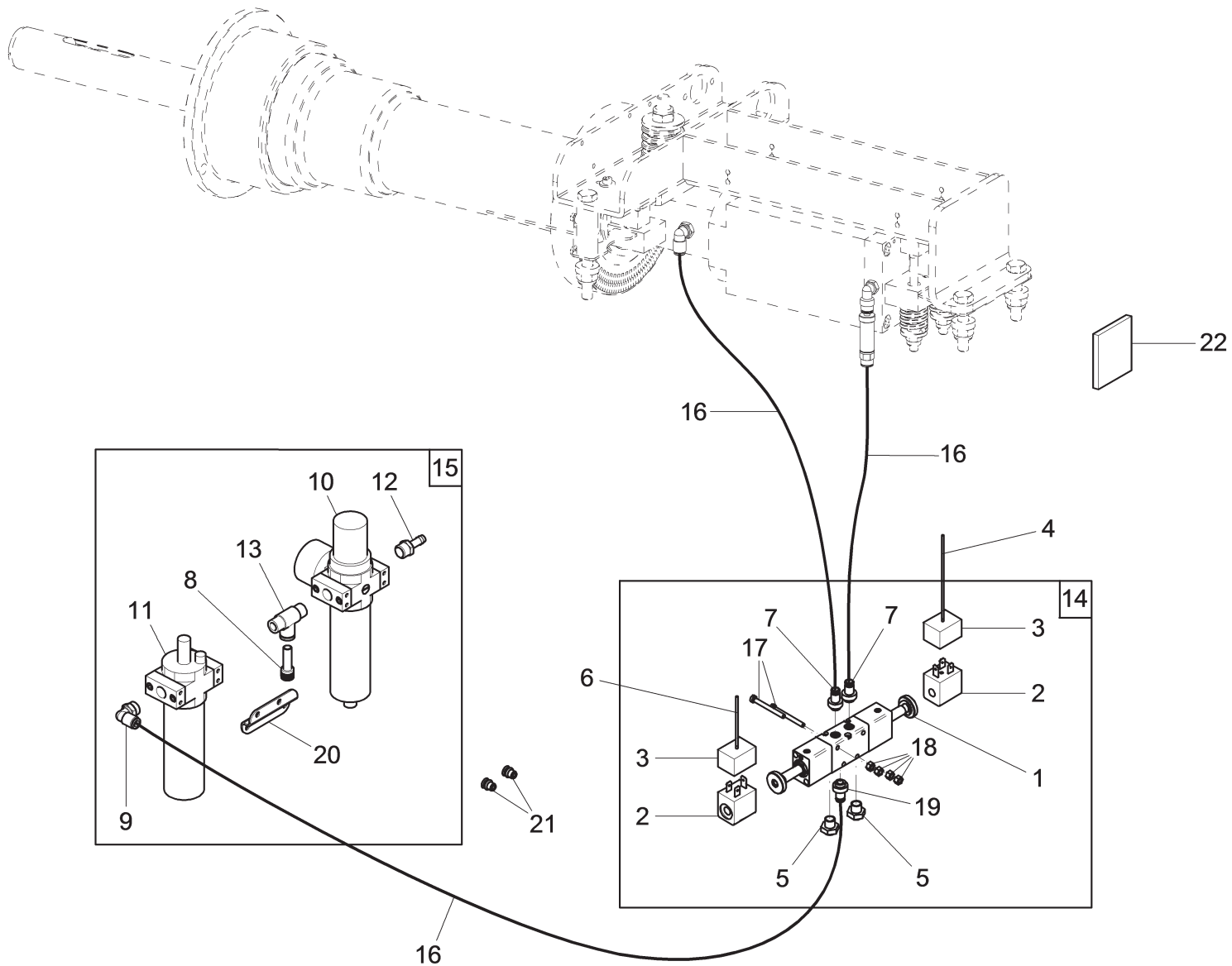
LIBRAK380	LIBRAK380P	LIBRAK380S	LIBRAK380PS	LIBRAK380W	LIBRAK380PW	LIBRAK380WS	LIBRAK380PWS		
	•		•		•		•		
 ENGINEERING and MARKETING S.P.A.		LISTA DEI COMPONENTI - LIST OF COMPONENTS - TEILELISTE LISTE DES PIÈCES DÉTACHÉES - LISTA DE PIEZAS Tavola N°8B - Rev. 1			129794600		GRUPPO PEDALIERA CON FILO PEDALBOARD UNIT WITH CLAMP PEDALLEISTESATZ MIT DRAHT GROUPE PÉDALES DE DIRECTION AVEC INOX GRUPO PEDALERA CON FILO		Pag. 16 di 36



LIBRAK380	LIBRAK380P	LIBRAK380S	LIBRAK380PS	LIBRAK380W	LIBRAK380PW	LIBRAK380WS	LIBRAK380PWS
		•	•			•	•
 ENGINEERING and MARKETING S.P.A.		LISTA DEI COMPONENTI - LIST OF COMPONENTS - TEILELISTE LISTE DES PIÈCES DÉTACHÉES - LISTA DE PIEZAS			GRUPPO SCHEDA AGGIUNTIVA LASER LASER ADDITIONAL CARD UNIT SATZ VON ZUSÄTZLICHE LASER-KARTE GROUPE CARTE ADDITIONNELLE LASER GRUPO FICHA AÑADIVA LASER		Pag. 17 di 36
Tavola N° 9 - Rev. 1		129794221					

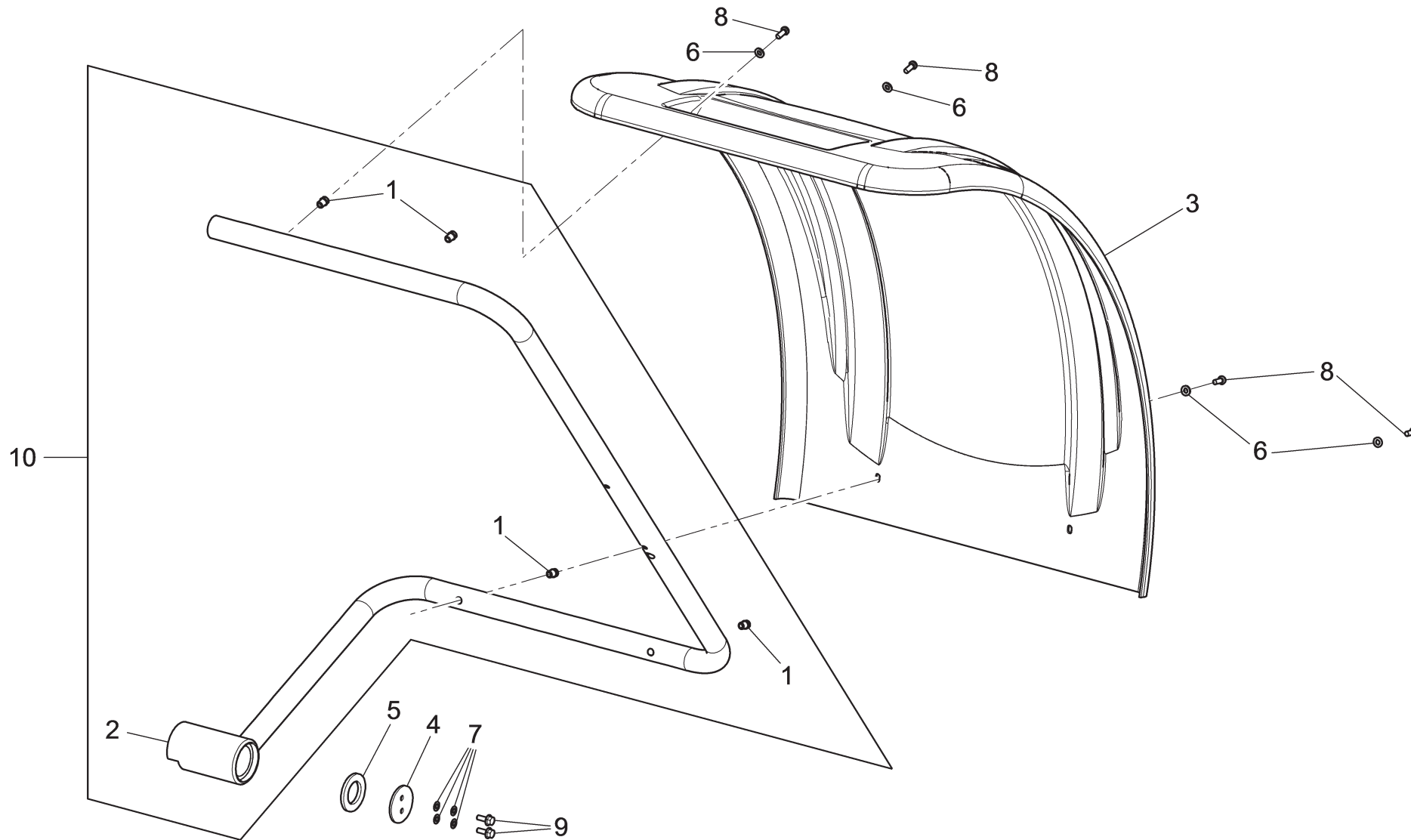



LIBRAK380	LIBRAK380P	LIBRAK380S	LIBRAK380PS	LIBRAK380W	LIBRAK380PW	LIBRAK380WS	LIBRAK380PWS
•	•	•	•	•	•	•	•
 ENGINEERING and MARKETING S.P.A.		LISTA DEI COMPONENTI - LIST OF COMPONENTS - TEILELISTE LISTE DES PIÈCES DÉTACHÉES - LISTA DE PIEZAS			GRUPPO IMPIANTO ELETTRICO ELECTRICAL SYSTEM UNIT SATZ VON ELEKTROANLAGE GROUPE INSTALLATION ÉLECTRIQUE GRUPO INSTALACIÓN ELÉCTRICA		Pag. 18 di 36
		Tavola N°10 - Rev. 1	129790131				

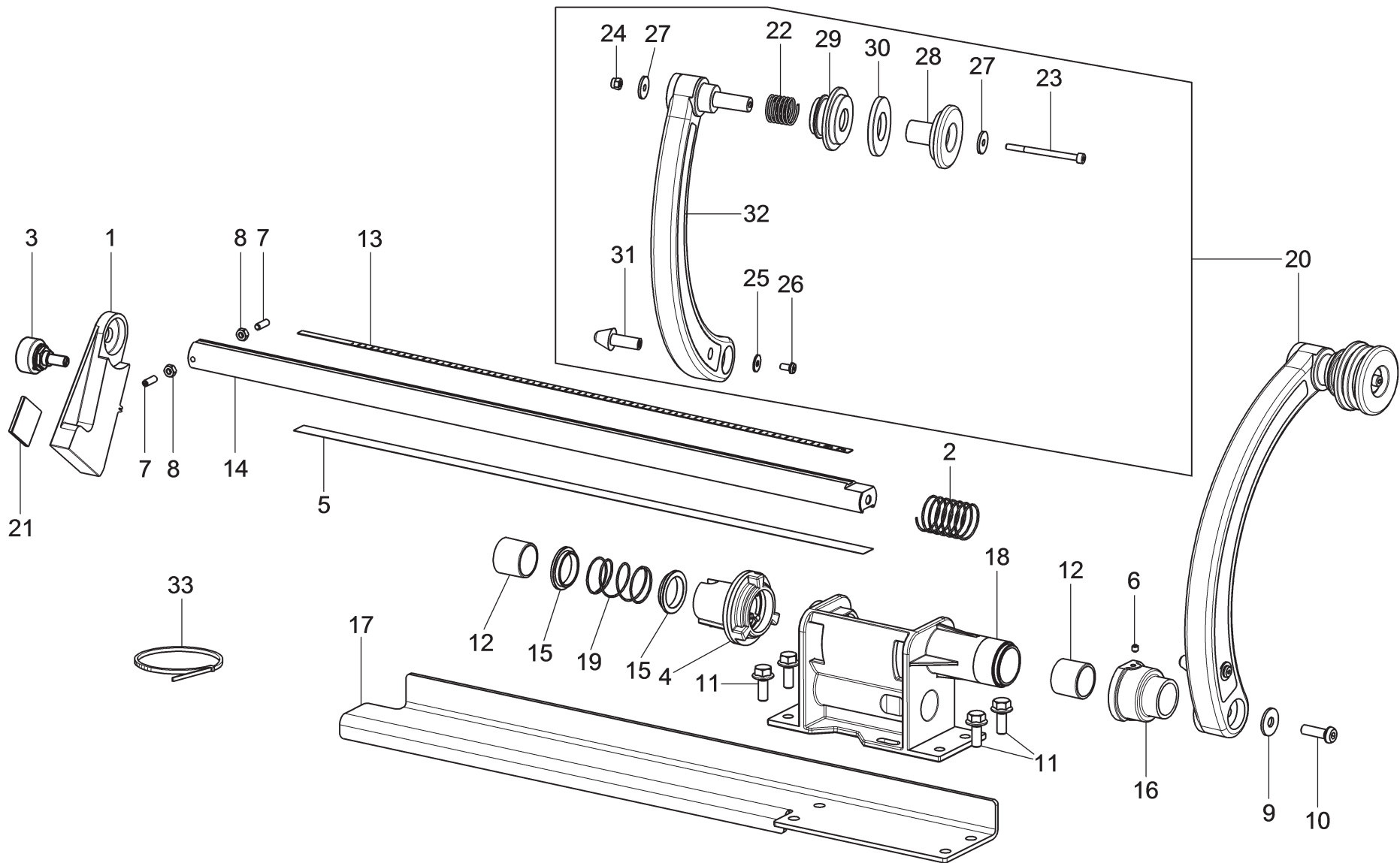


LIBRAK380	LIBRAK380P	LIBRAK380S	LIBRAK380PS	LIBRAK380W	LIBRAK380PW	LIBRAK380WS	LIBRAK380PWS
	•		•		•		•

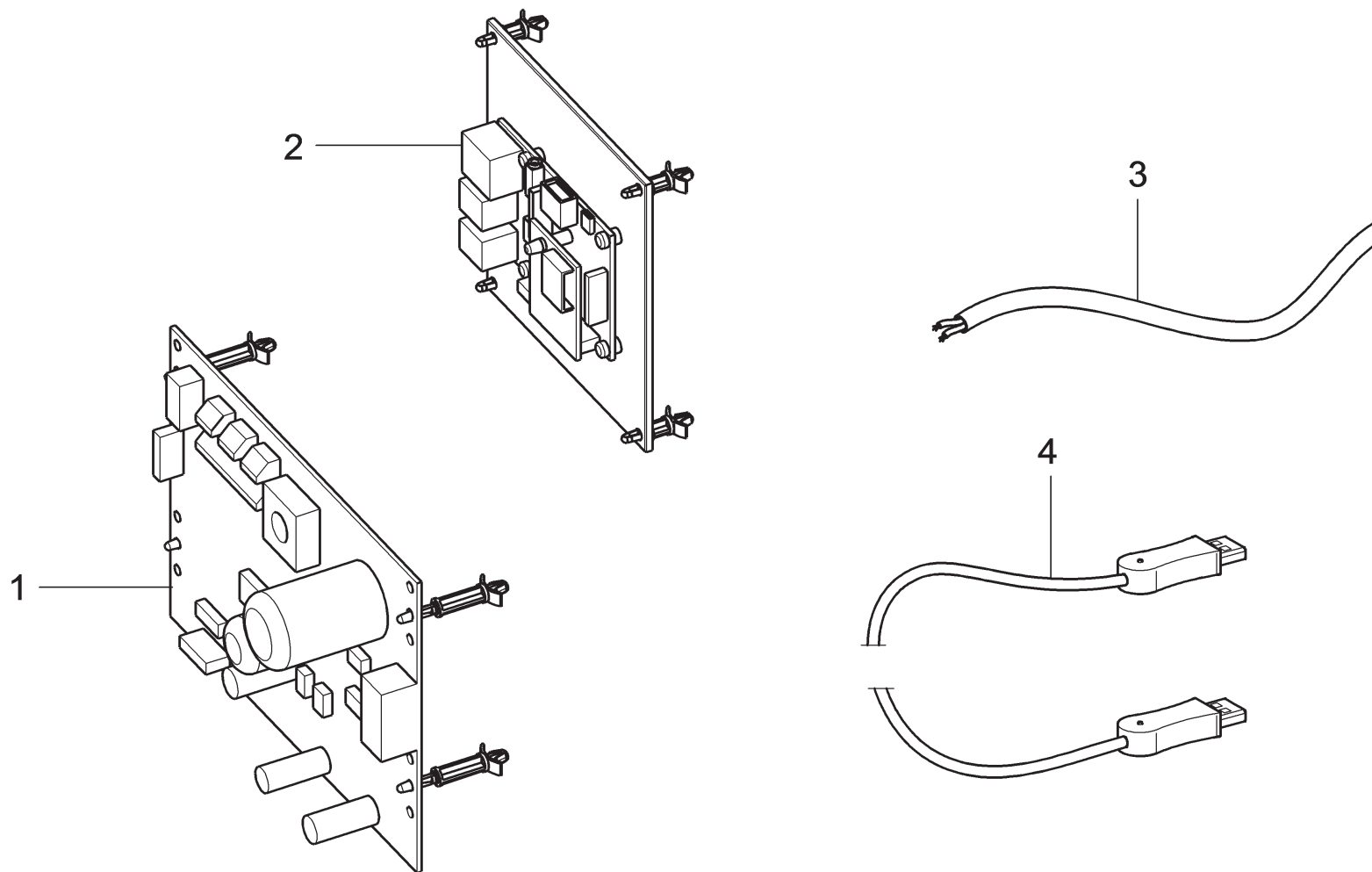
 ENGINEERING and MARKETING S.P.A.	LISTA DEI COMPONENTI - LIST OF COMPONENTS - TEILELISTE LISTE DES PIÈCES DÉTACHÉES - LISTA DE PIEZAS			IMPIANTO SERRAGGIO PNEUMATICO PNEUMATIC TIGHTENING SYSTEM ANLAGE FÜR PNEUMATISCHE AUFSPANNUNG SYSTÈME SERRAGE PNEUMATIQUE SISTEMA APRIETE NEUMÁTICO			Pag. 19 di 36
	Tavola N°11 - Rev. 1	129390311					



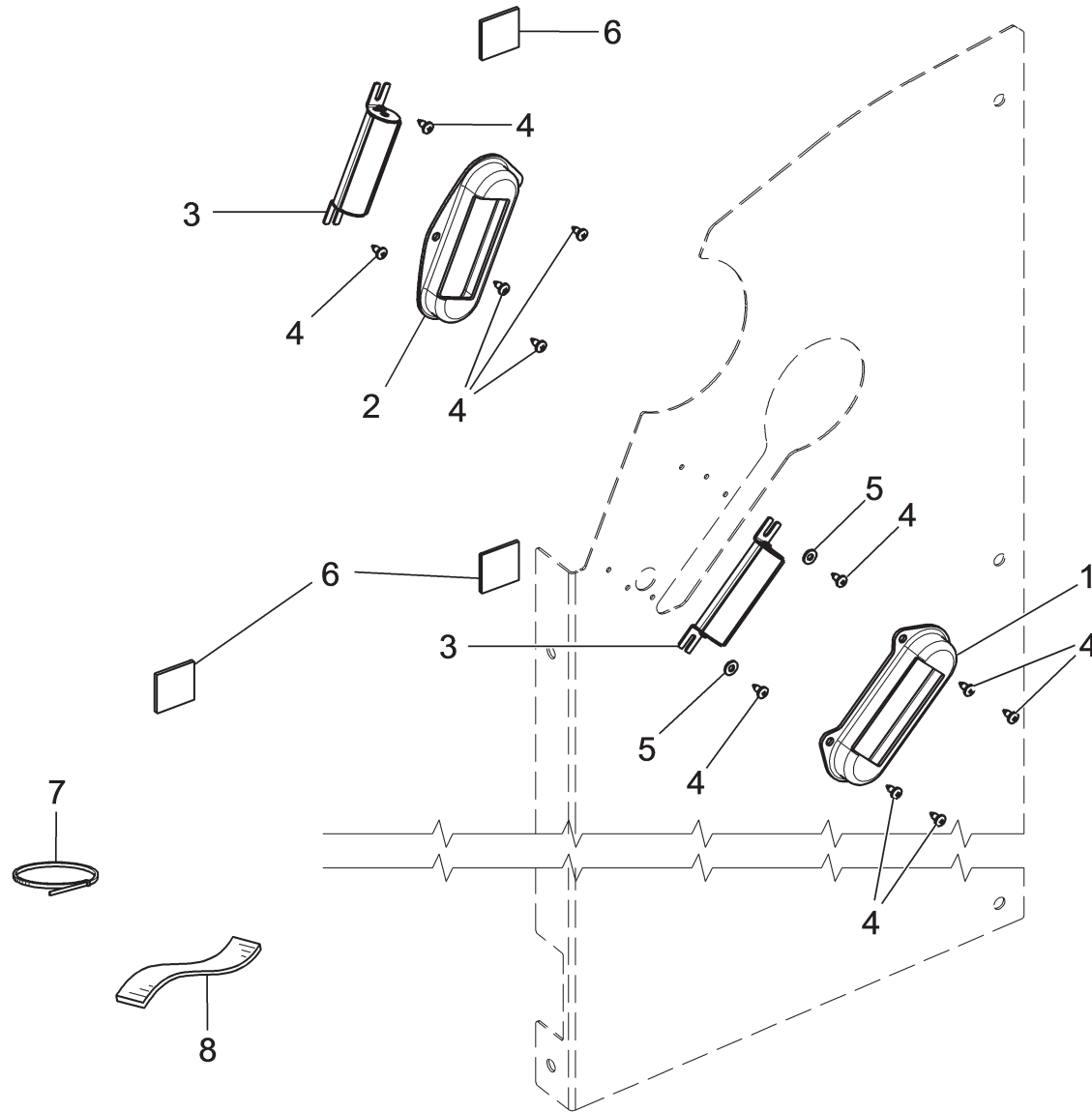
LIBRAK380	LIBRAK380P	LIBRAK380S	LIBRAK380PS	LIBRAK380W	LIBRAK380PW	LIBRAK380WS	LIBRAK380PWS
•	•	•	•	•	•	•	•
 ENGINEERING and MARKETING S.P.A.		LISTA DEI COMPONENTI - LIST OF COMPONENTS - TEILELISTE LISTE DES PIÈCES DÉTACHÉES - LISTA DE PIEZAS			GRUPPO PROTEZIONE RUOTA WHEEL PROTECTION UNIT SATZ FÜR RADSCHUTZ GROUPE PROTECTION ROUE GRUPO PROTECCIÓN RUEDA		Pag. 20 di 36
		Tavola N°12 - Rev. 1	129791580				



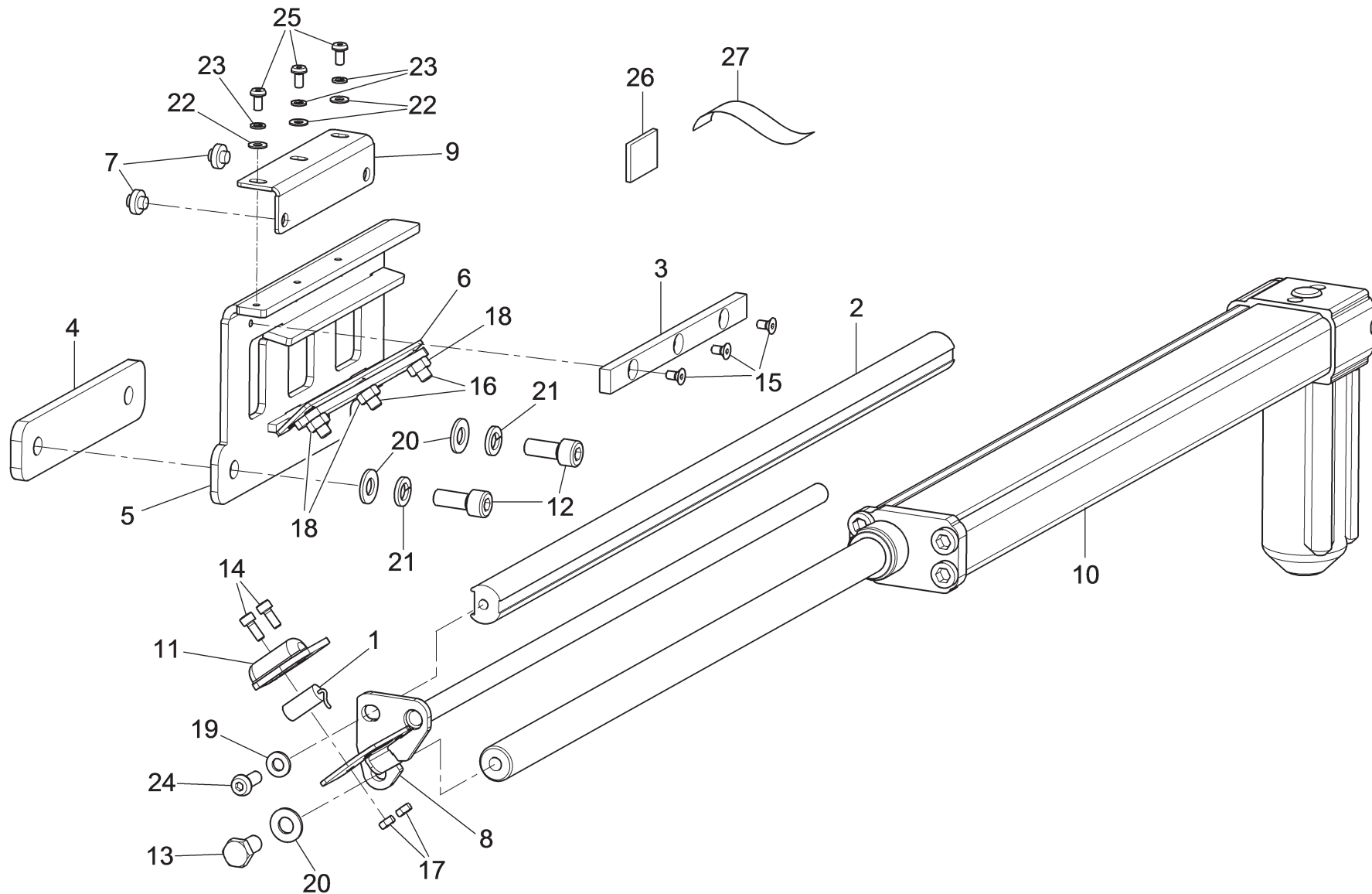
LIBRAK380	LIBRAK380P	LIBRAK380S	LIBRAK380PS	LIBRAK380W	LIBRAK380PW	LIBRAK380WS	LIBRAK380PWS
•	•	•	•	•	•	•	•
				LISTA DEI COMPONENTI - LIST OF COMPONENTS - TEILELISTE LISTE DES PIÈCES DÉTACHÉES - LISTA DE PIEZAS		GRUPPO CALIBRO DISTANZA/DIAMETRO CALIPER UNIT DISTANCE/DIAMETER KALIBERSATZ ABSTAND/DURCHMESSER GROUPE CALIBRE DISTANCE/DIAMETRE GRUPO CALIBRE DISTANCIA/DIAMETRO	
ENGINEERING and MARKETING S.P.A.				Tavola N°13 - Rev. 1		129791490	
						Pag. 21 di 36	




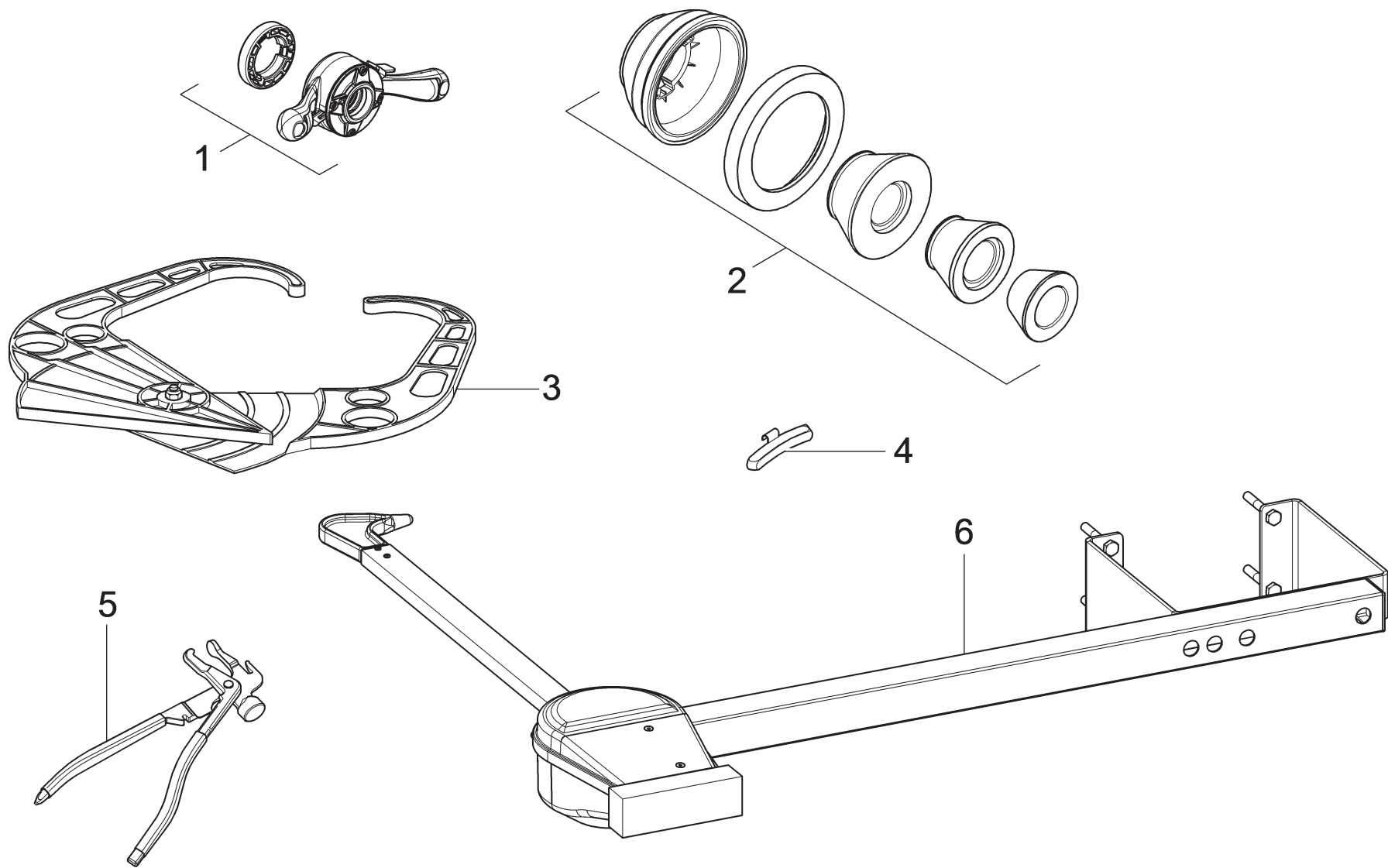
LIBRAK380	LIBRAK380P	LIBRAK380S	LIBRAK380PS	LIBRAK380W	LIBRAK380PW	LIBRAK380WS	LIBRAK380PWS
•	•	•	•	•	•	•	•
 ENGINEERING and MARKETING S.P.A.	LISTA DEI COMPONENTI - LIST OF COMPONENTS - TEILELISTE LISTE DES PIÈCES DÉTACHÉES - LISTA DE PIEZAS			GRUPPO ELETTRONICA ELECTRONICS UNIT ELEKTRONIKSATZ GROUPE ÉLECTRONIQUE GRUPO ELECTRÓNICA			Pag. 22 di 36
	Tavola N°14 - Rev. 1		129792331				



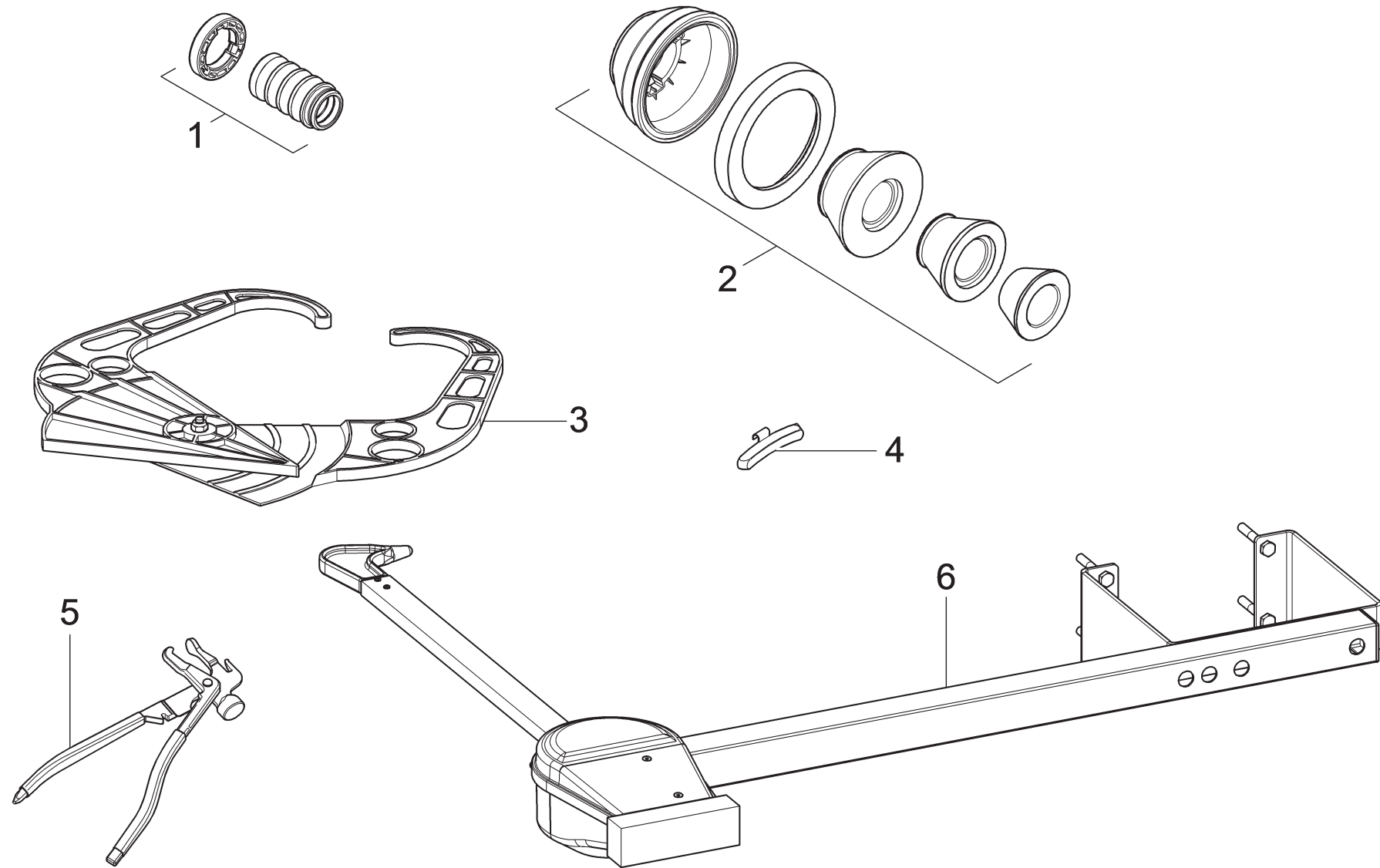
LIBRAK380	LIBRAK380P	LIBRAK380S	LIBRAK380PS	LIBRAK380W	LIBRAK380PW	LIBRAK380WS	LIBRAK380PWS
•	•	•	•	•	•	•	•
 ENGINEERING and MARKETING S.P.A.		LISTA DEI COMPONENTI - LIST OF COMPONENTS - TEILELISTE LISTE DES PIÈCES DÉTACHÉES - LISTA DE PIEZAS			GRUPPO ILLUMINATORE LIGHTING DEVICE UNIT BELEUCHTUNGSATZ GROUPE DISPOSITIF D'ÉCLAIRAGE GRUPO ILUMINADOR		Pag. 23 di 36
		Tavola N°15 - Rev. 1	129794250				




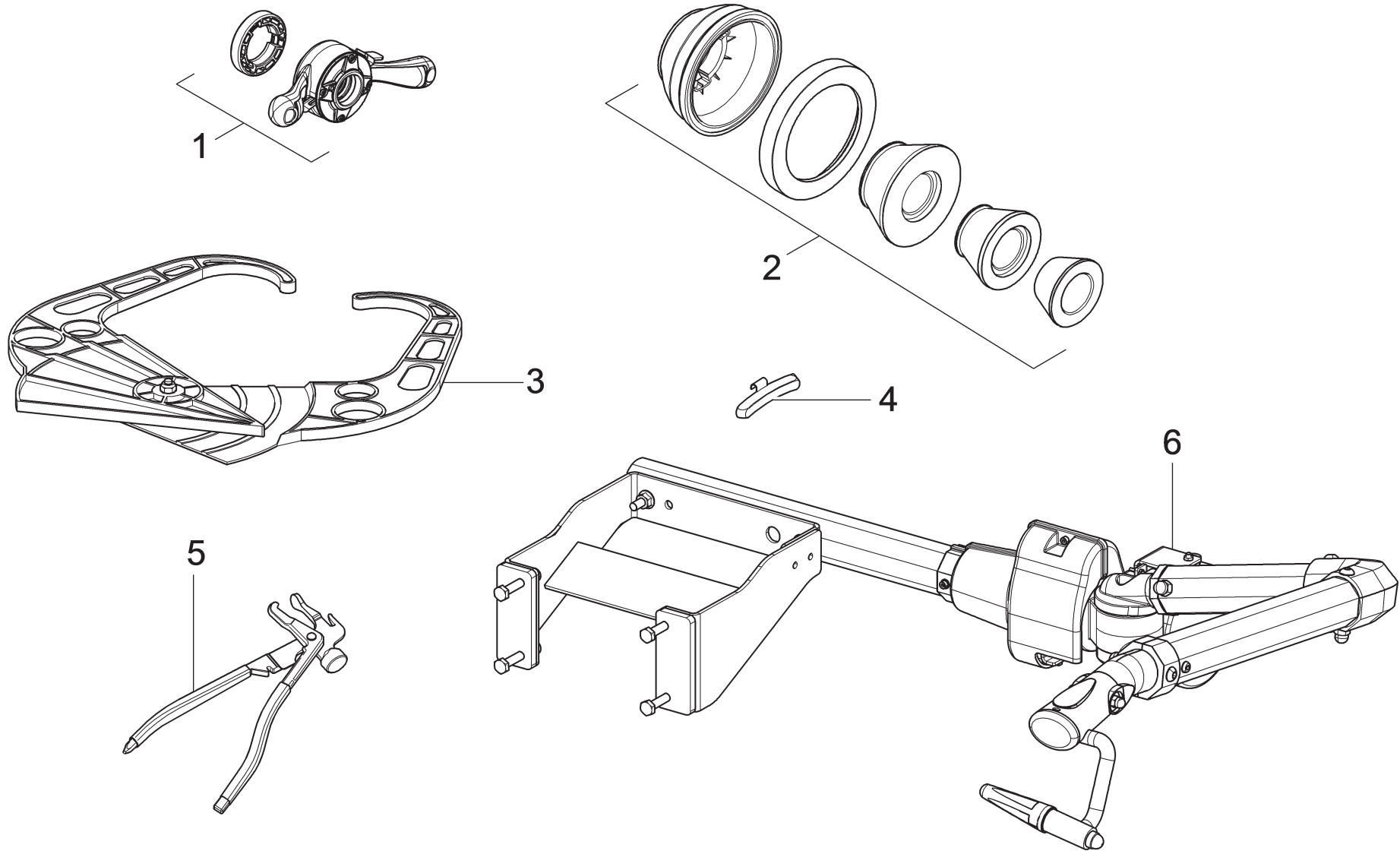
LIBRAK380	LIBRAK380P	LIBRAK380S	LIBRAK380PS	LIBRAK380W	LIBRAK380PW	LIBRAK380WS	LIBRAK380PWS	
		•	•			•	•	
 ENGINEERING and MARKETING S.P.A.		LISTA DEI COMPONENTI - LIST OF COMPONENTS - TEILELISTE LISTE DES PIÈCES DÉTACHÉES - LISTA DE PIEZAS Tavola N°16 - Rev. 1			129794650		GRUPPO LASER SPOT SPOT LASER UNIT SPOT LASER SATZ GROUPE LASER SPOT GRUPO LASER SPOT Pag. 24 di 36	




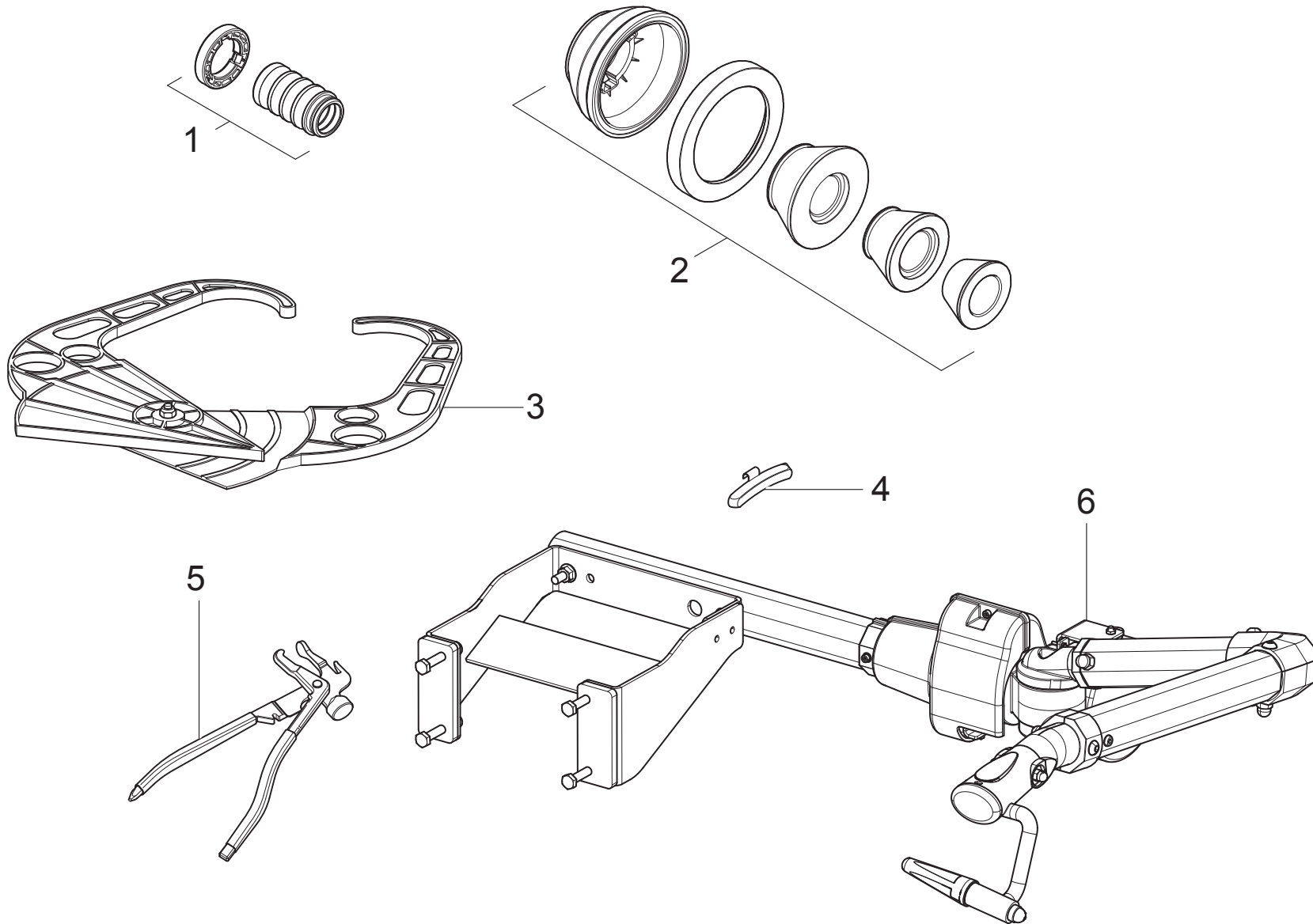
LIBRAK380	LIBRAK380P	LIBRAK380S	LIBRAK380PS	LIBRAK380W	LIBRAK380PW	LIBRAK380WS	LIBRAK380PWS
•							
Butler ENGINEERING and MARKETING S.P.A.				LISTA DEI COMPONENTI - LIST OF COMPONENTS - TEILELISTE LISTE DES PIÈCES DÉTACHÉES - LISTA DE PIEZAS		DOTAZIONE A A EQUIPMENT AUSSTATTUNG A DOTACION A	
Tavola N°17A - Rev. 1					Pag. 25 di 36		




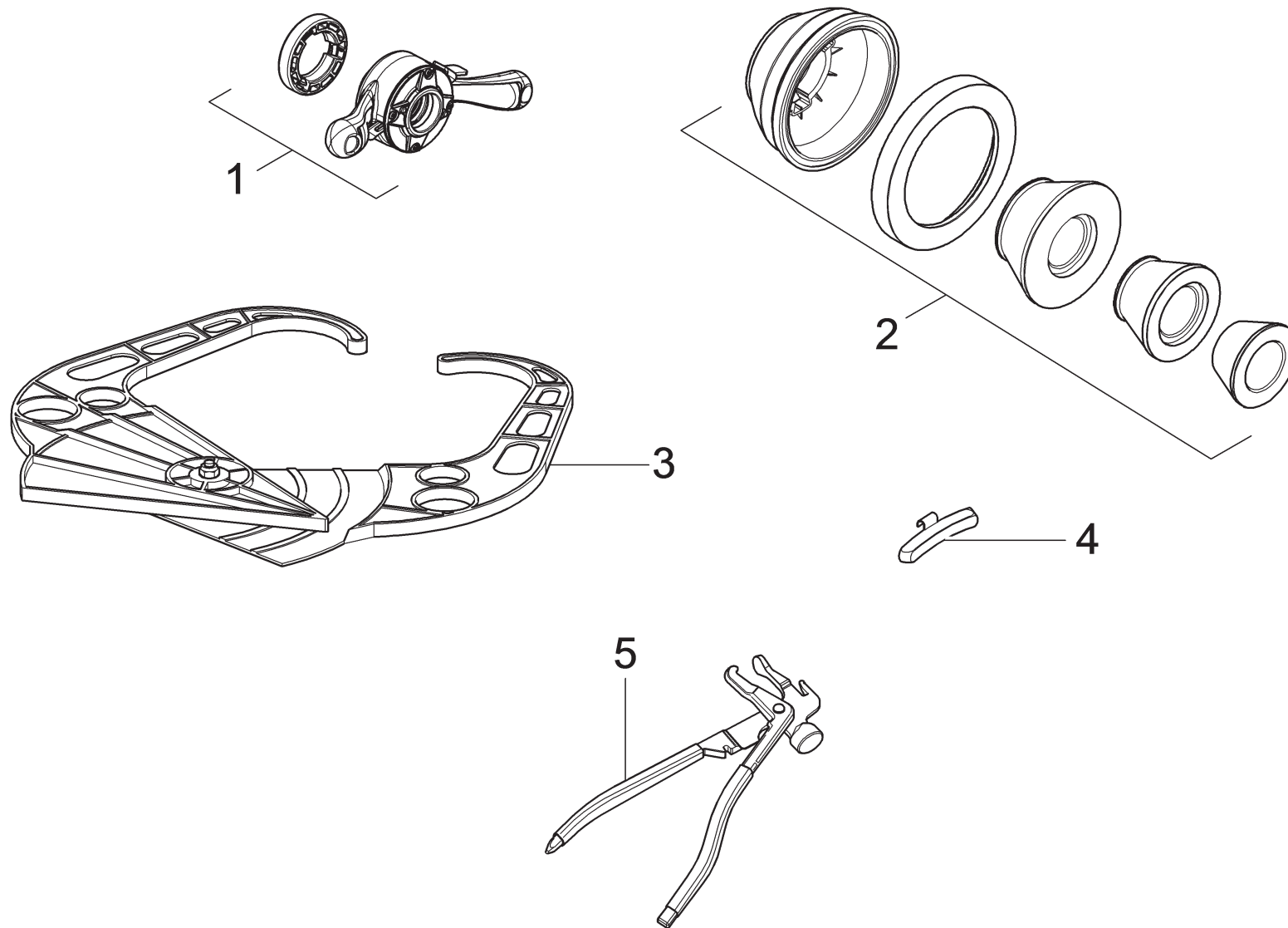
LIBRAK380	LIBRAK380P	LIBRAK380S	LIBRAK380PS	LIBRAK380W	LIBRAK380PW	LIBRAK380WS	LIBRAK380PWS
	•						
 ENGINEERING and MARKETING S.P.A.		LISTA DEI COMPONENTI - LIST OF COMPONENTS - TEILELISTE LISTE DES PIÈCES DÉTACHÉES - LISTA DE PIEZAS Tavola N°17B - Rev. 1			DOTAZIONE B B EQUIPMENT AUSSTATTUNG B DOTACION B DOTACION B		Pag. 26 di 36




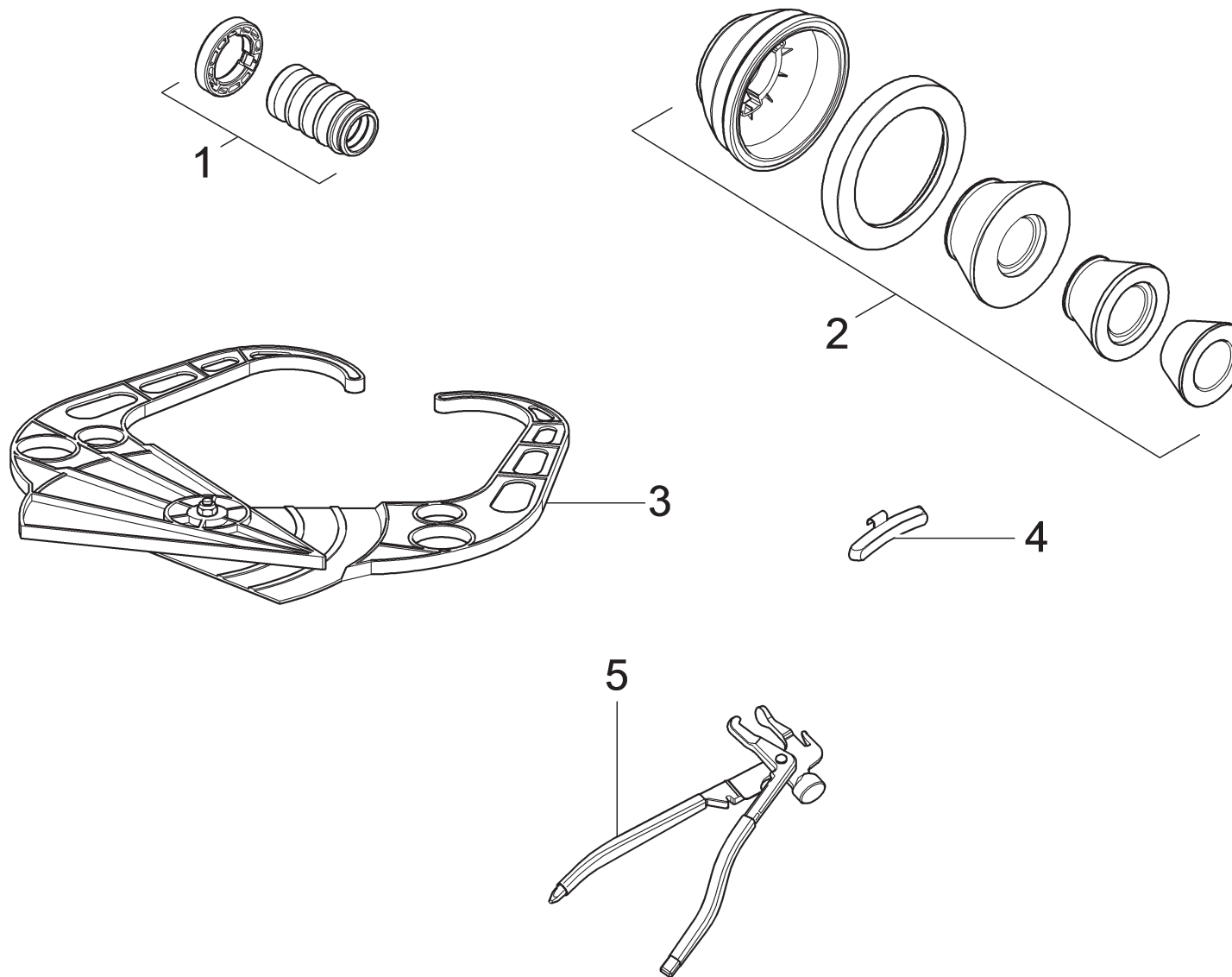
LIBRAK380	LIBRAK380P	LIBRAK380S	LIBRAK380PS	LIBRAK380W	LIBRAK380PW	LIBRAK380WS	LIBRAK380PWS
		•					
 ENGINEERING and MARKETING S.P.A.				LISTA DEI COMPONENTI - LIST OF COMPONENTS - TEILELISTE LISTE DES PIÈCES DÉTACHÉES - LISTA DE PIEZAS		DOTAZIONE C C EQUIPMENT AUSSTATTUNG C DOTACION C DOTACION C	
Tavola N°17C - Rev. 1					Pag. 27 di 36		




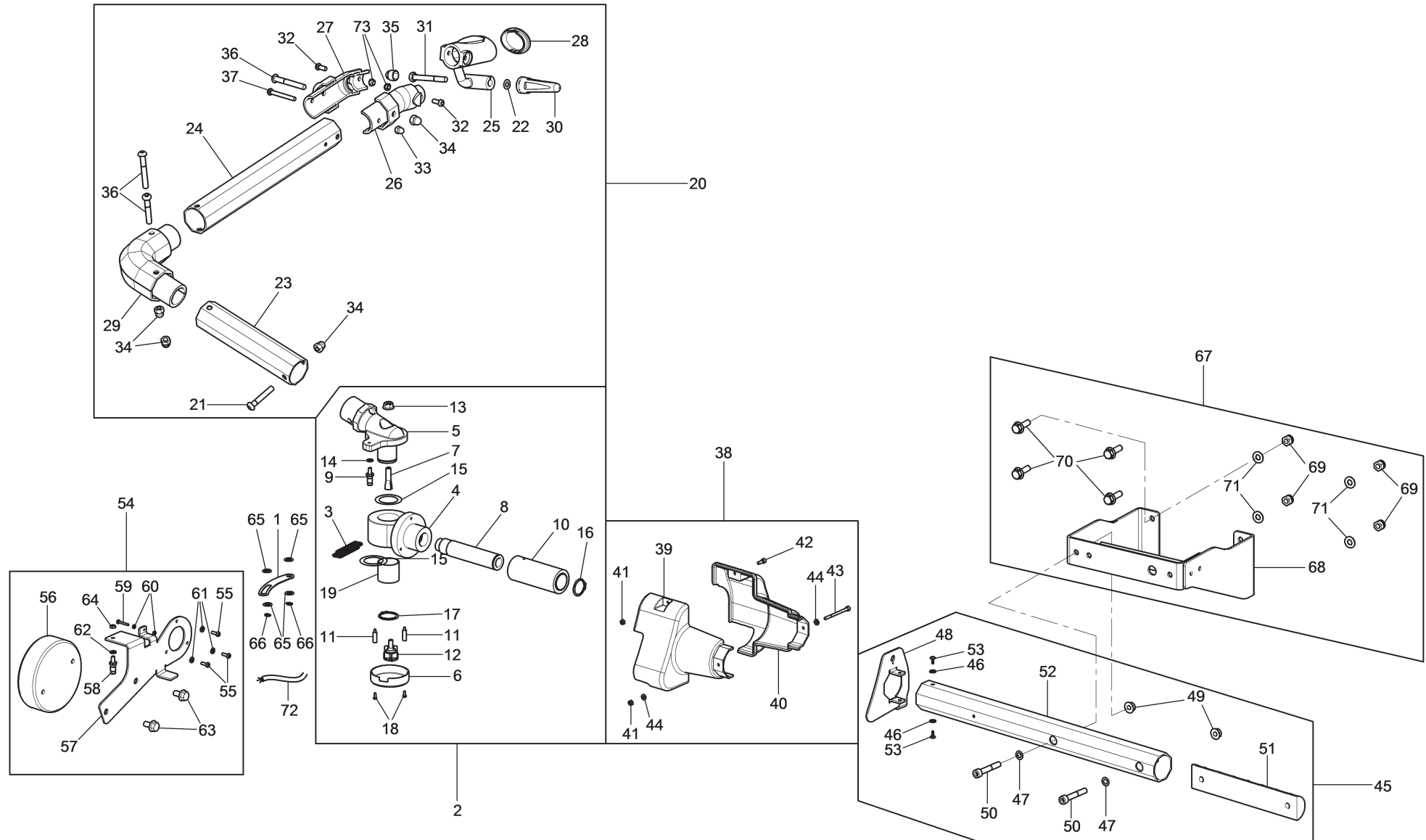
LIBRAK380	LIBRAK380P	LIBRAK380S	LIBRAK380PS	LIBRAK380W	LIBRAK380PW	LIBRAK380WS	LIBRAK380PWS
			•				
 ENGINEERING and MARKETING S.P.A.				LISTA DEI COMPONENTI - LIST OF COMPONENTS - TEILELISTE LISTE DES PIÈCES DÉTACHÉES - LISTA DE PIEZAS		DOTAZIONE D D EQUIPMENT AUSSTATTUNG D DOTACION D DOTACION D	
Tavola N°17D - Rev. 1						Pag. 28 di 36	




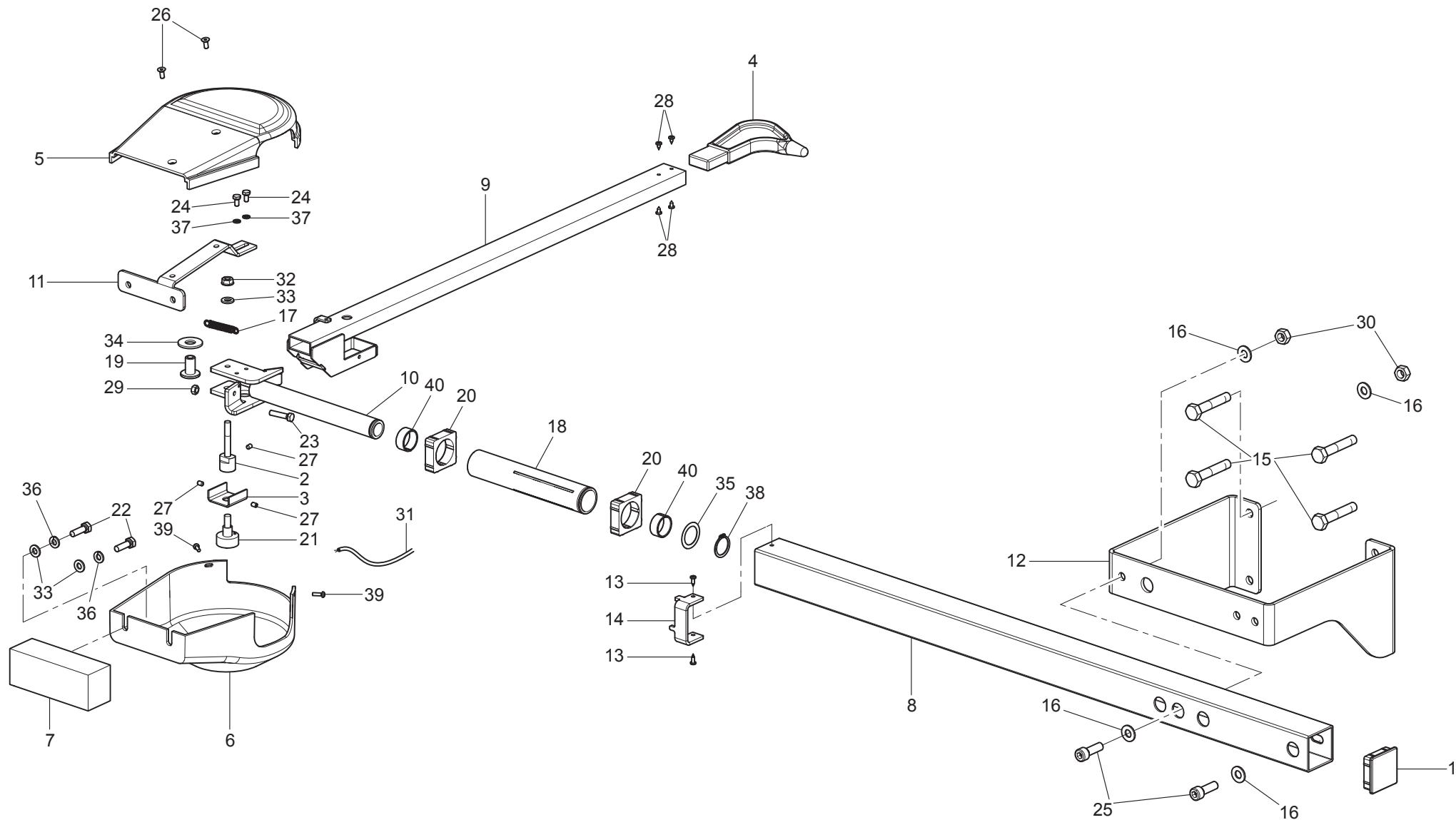
LIBRAK380	LIBRAK380P	LIBRAK380S	LIBRAK380PS	LIBRAK380W	LIBRAK380PW	LIBRAK380WS	LIBRAK380PWS
				•		•	
 ENGINEERING and MARKETING S.P.A.		LISTA DEI COMPONENTI - LIST OF COMPONENTS - TEILELISTE LISTE DES PIÈCES DÉTACHÉES - LISTA DE PIEZAS Tavola N°17E - Rev. 0			DOTAZIONE E E EQUIPMENT AUSSTATTUNG E DOTACION E		Pag. 29 di 36




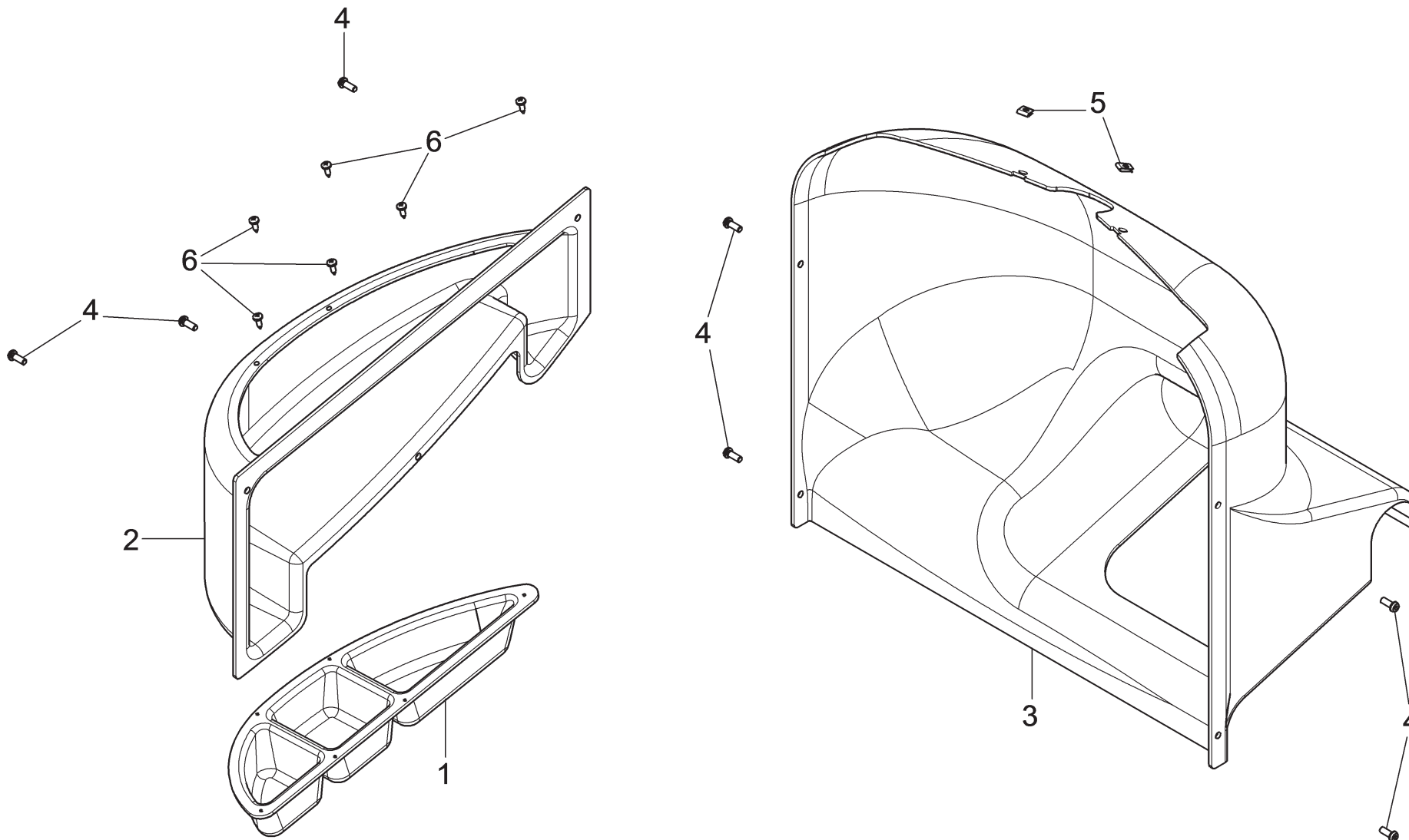
LIBRAK380	LIBRAK380P	LIBRAK380S	LIBRAK380PS	LIBRAK380W	LIBRAK380PW	LIBRAK380WS	LIBRAK380PWS
					•		•
		LISTA DEI COMPONENTI - LIST OF COMPONENTS - TEILELISTE LISTE DES PIÈCES DÉTACHÉES - LISTA DE PIEZAS			DOTAZIONE F F EQUIPMENT AUSSTATTUNG F DOTACION F		Pag. 30 di 36
ENGINEERING and MARKETING S.P.A.		Tavola N°17F - Rev. 0					




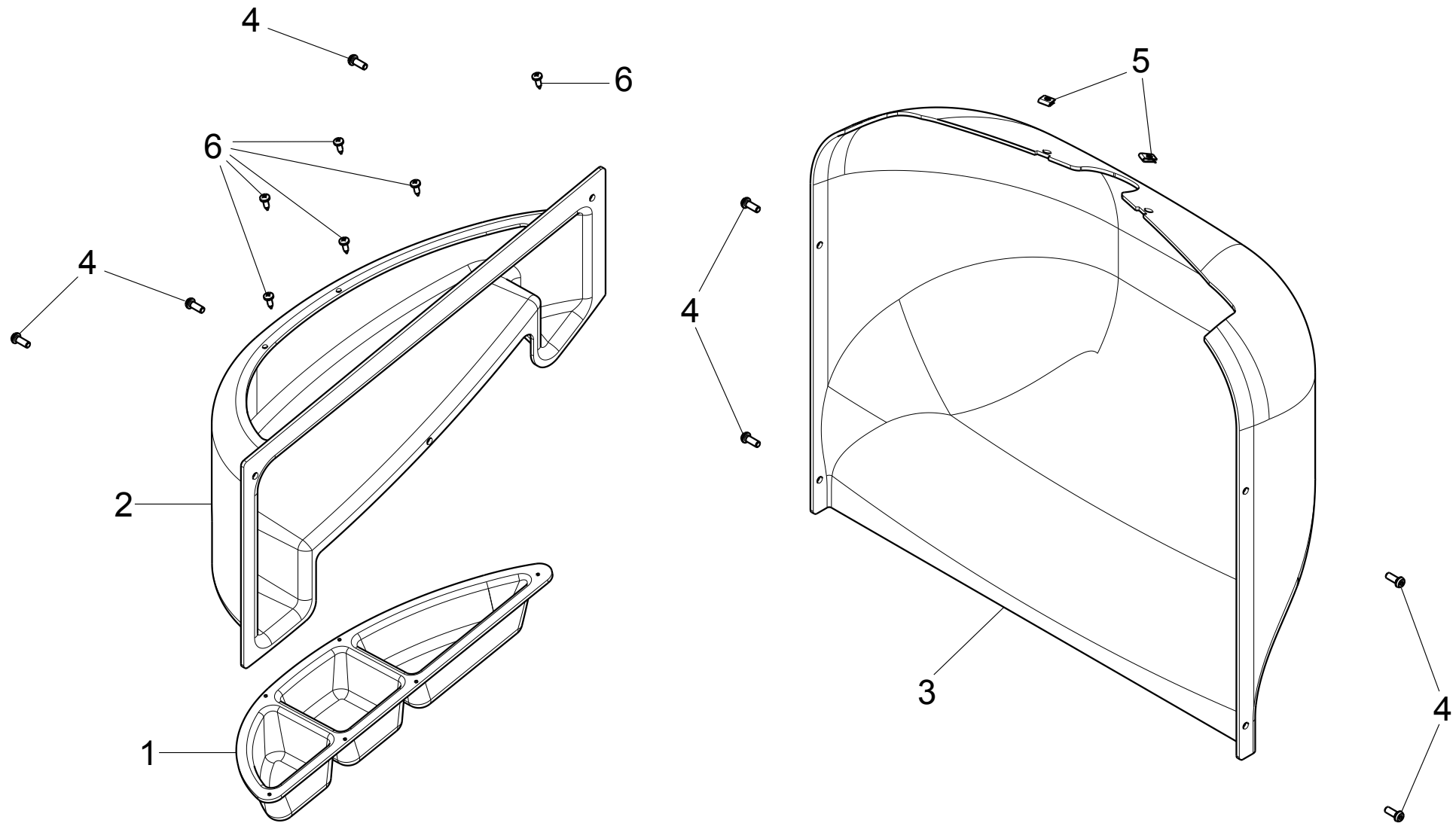
LIBRAK380	LIBRAK380P	LIBRAK380S	LIBRAK380PS	LIBRAK380W	LIBRAK380PW	LIBRAK380WS	LIBRAK380PWS	
OPT	OPT	•	•					
 ENGINEERING and MARKETING S.P.A.		LISTA DEI COMPONENTI - LIST OF COMPONENTS - TEILELISTE LISTE DES PIÈCES DÉTACHÉES - LISTA DE PIEZAS Tavola N°18 - Rev. 1			GAR305		Pag. 31 di 36 CALIBRO LARGHEZZA PROFESSIONALE PROFESSIONAL EXTERNAL DATA GAUGE BERUFLICHE BREITENLEHRE CALIBRE LARGEUR PROFESSIONNEL CALIBRE ANCHO PROFESIONAL	




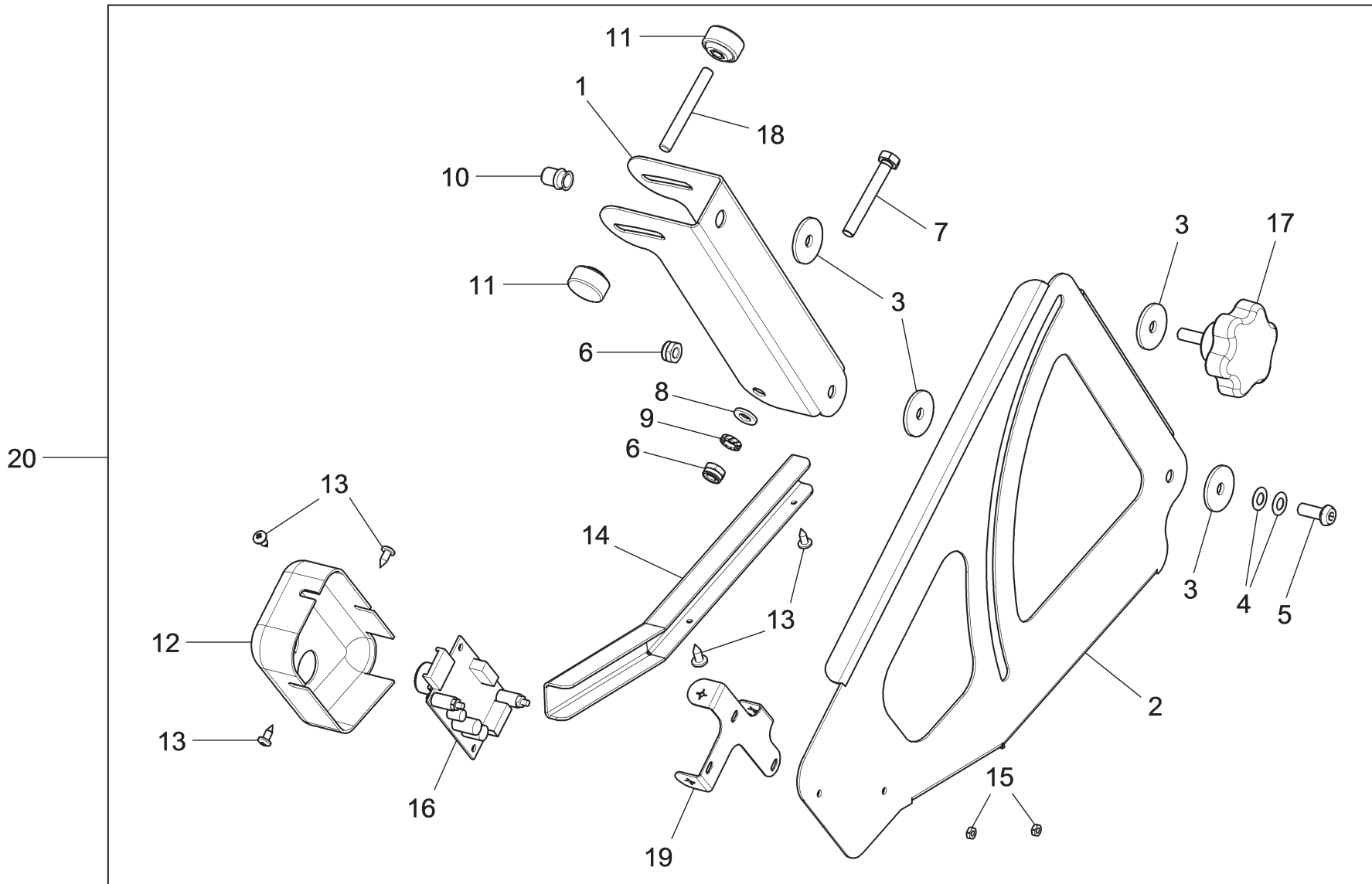
LIBRAK380	LIBRAK380P	LIBRAK380S	LIBRAK380PS	LIBRAK380W	LIBRAK380PW	LIBRAK380WS	LIBRAK380PWS
•	•						
 ENGINEERING and MARKETING S.P.A.				LISTA DEI COMPONENTI - LIST OF COMPONENTS - TEILELISTE LISTE DES PIÈCES DÉTACHÉES - LISTA DE PIEZAS Tavola N°19 - Rev. 1		GAR307	
CALIBRO LARGHEZZA RUOTE WHEEL WIDTH EXTERNAL DATA GAUGE BREITENTASTER TIGE EXTERNE LARGEUR ROUES PALPADOR ANCHURA RUEDAS						Pag. 32 di 36	




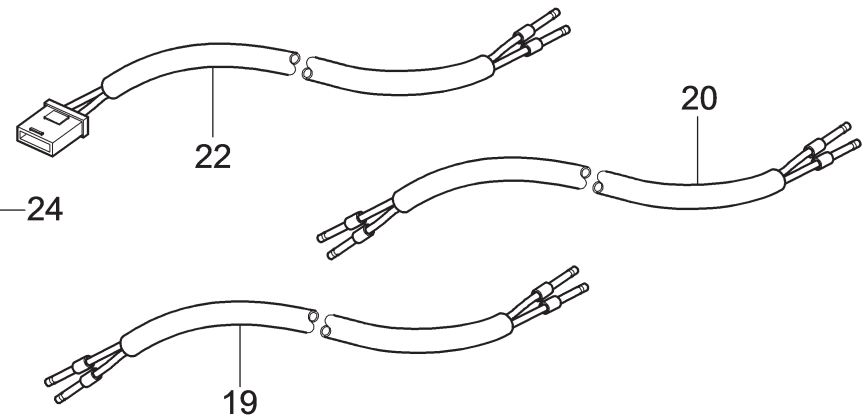
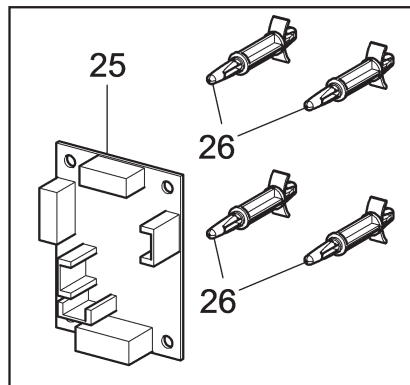
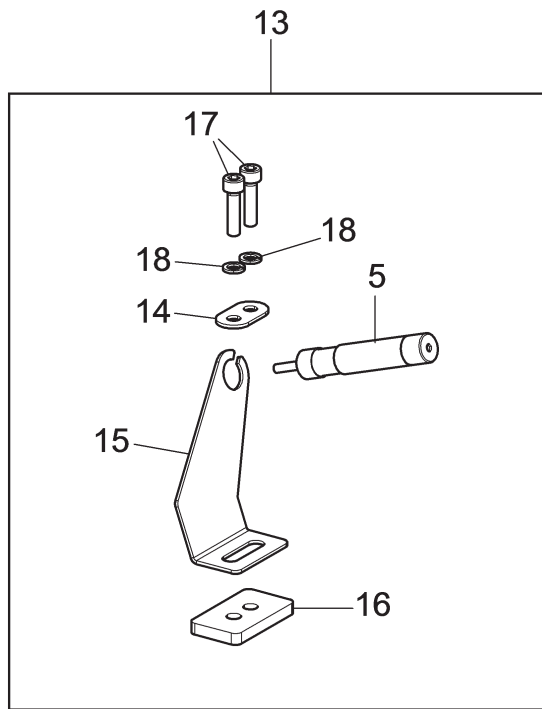
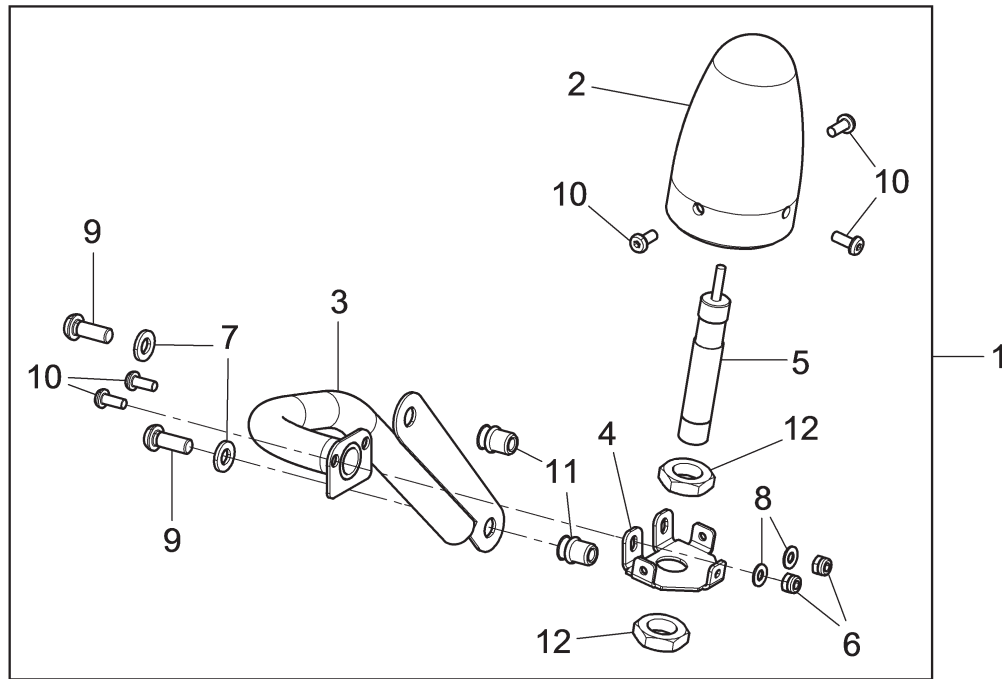
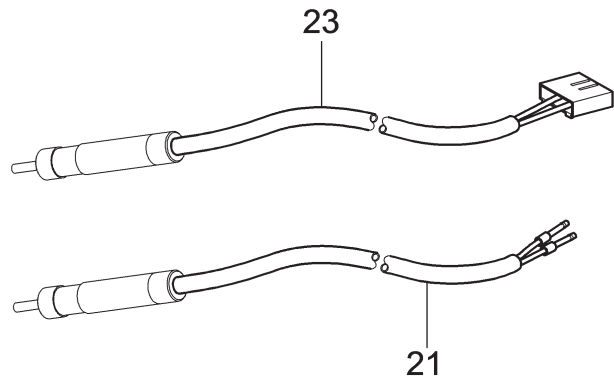
LIBRAK380	LIBRAK380P	LIBRAK380S	LIBRAK380PS	LIBRAK380W	LIBRAK380PW	LIBRAK380WS	LIBRAK380PWS
•	•	•	•				
 ENGINEERING and MARKETING S.P.A.		LISTA DEI COMPONENTI - LIST OF COMPONENTS - TEILELISTE LISTE DES PIÈCES DÉTACHÉES - LISTA DE PIEZAS			GRUPPO COMPLETAMENTO PLANCIA BOARD COMPLETION UNIT BRETT-AUSBAUSATZ GROUPE D'ACHÈVEMENT PLANCHE GRUPO DE ACEBADO TABLERO		Pag. 33 di 36
		Tavola N°20A - Rev. 0		129791741			




LIBRAK380	LIBRAK380P	LIBRAK380S	LIBRAK380PS	LIBRAK380W	LIBRAK380PW	LIBRAK380WS	LIBRAK380PWS
				•	•	•	•
 ENGINEERING and MARKETING S.P.A.		LISTA DEI COMPONENTI - LIST OF COMPONENTS - TEILELISTE LISTE DES PIÈCES DÉTACHÉES - LISTA DE PIEZAS			GRUPPO COMPLETAMENTO FRAME COMPLETION UNIT AUSBAUSATZ GROUPE D'ACHÈVEMENT GRUPO DE ACEBADO		Pag. 34 di 36
		Tavola N°20B - Rev. 0	129794440				



LIBRAK380	LIBRAK380P	LIBRAK380S	LIBRAK380PS	LIBRAK380W	LIBRAK380PW	LIBRAK380WS	LIBRAK380PWS
				•	•	•	•
 ENGINEERING and MARKETING S.P.A.				LISTA DEI COMPONENTI - LIST OF COMPONENTS - TEILELISTE LISTE DES PIÈCES DÉTACHÉES - LISTA DE PIEZAS Tavola N°21 - Rev. 0		GAR332	
				GRUPPO MISURATORE LARGHEZZA AUTOMATICO AUTOMATIC MEASURING DEVICE UNIT AUTOMATISCHE BREITEN-MESSVORRICHTUNG GROUPE MESUREUR AUTOMATIQUE DE LA LARGEUR GRUPO MEDIDOR ANCHO AUTOMÁTICO		Pag. 35 di 36	



LIBRAK380	LIBRAK380P	LIBRAK380S	LIBRAK380PS	LIBRAK380W	LIBRAK380PW	LIBRAK380WS	LIBRAK380PWS		
OPT	OPT	OPT	OPT	OPT	OPT	OPT	OPT		
				LISTA DEI COMPONENTI - LIST OF COMPONENTS - TEILELISTE LISTE DES PIÈCES DÉTACHÉES - LISTA DE PIEZAS				DISPOSITIVO LASER ORE 12 LASER DEVICE AT 12 O' CLOCK LASERVORRICHTUNG AUF 12 UHR DISPOSITIF LASER À MIDI DISPOSITIVO LÁSER A LAS 12	Pag. 36 di 36
Tavola N°22 - Rev. 0			GAR334						