

# KAPTIV<sup>®</sup>-MD 3402

## Electronic zero air loss condensate drain

### PRODUCT FEATURES

The KAPTIV-MD is a zero air loss drain designed for smaller compressed air applications.

The KAPTIV-MD incorporates the reliable JORC direct acting valve assembly with FPM seals, offering a pressure range of 0 to 16 bar (up to 230 PSI).

The solid and robust aluminium housing design of the KAPTIV-CS has also been incorporated in to this model.

With an inlet connection height of only 74 mm this is an incredibly compact solution with unrivaled installation versatility and reliability. The weight of the KAPTIV-MD is 0.5 kgs.!

The maximum compressor capacity of this drain is 10m<sup>3</sup>/min (350 CFM) and typical draining applications include fridge dryers and filters - mainly due to its incredible compact size.



### COMMERCIAL BENEFITS

- Extremely compact and lightweight unit.
- True zero air-loss solution.
- One Model covers all compressor capacities up to 10 m<sup>3</sup>/min.
- No sizing chart required, offering stocking advantages.
- The serviceable valve offers maintenance opportunities.
- Personal branding opportunities.

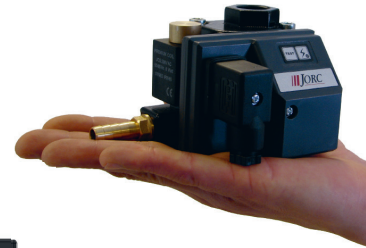
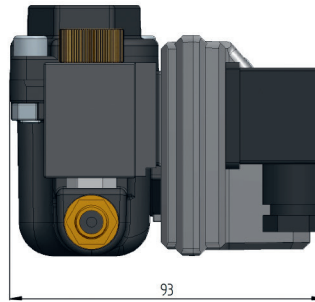
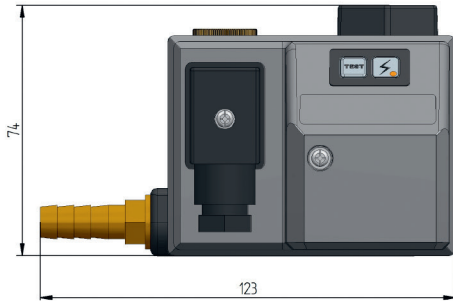
### TECHNICAL ADVANTAGES

- Zero air-loss during the condensate discharge.
- Easy to install due to its low inlet height.
- External valve position allows for fast and easy maintenance.
- Direct acting valve with FPM (Viton) seal.
- Robust corrosion resistant aluminium housing.
- A large integrated mesh strainer.
- Incorporating a smart-self-cleaning valve modus.

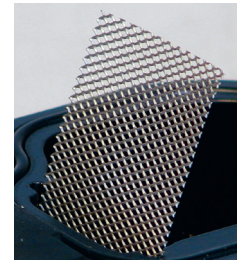
# KAPTIV<sup>®</sup>-MD

## Electronic zero air loss condensate drain

### DIMENSIONS (MM)



Incredibly compact!



Integrated mesh filter

### SPECIFICATIONS

Maximum compressor capacity  
Min./max. system pressure  
Valve type  
Valve orifice  
Valve seals  
Inlet connection  
Outlet connection  
Inlet height  
Minimum medium temperature  
Maximum medium temperature  
Supply voltage options

### 3402

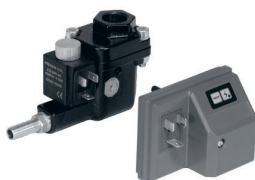
10 m<sup>3</sup>/min.  
0 bar / 16 bar  
2/2 way, direct acting  
2.0 mm  
FPM  
1/2" (BSP or NPT)  
1/4" (BSP or NPT)  
7.4 cm  
1° C  
50° C  
230VAC / 115VAC  
24VAC / 24VDC  
DIN 43650-B  
Yes  
Yes  
IP65 (NEMA4)  
Yes  
Yes, LED indication only.  
For external alarm options please see the KAPTIV-CS range.

Connector  
Serviceable valve  
TEST feature  
Environmental protection  
Integrated mesh strainer  
Alarm

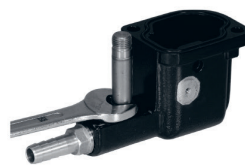


Direct acting valve assembly, offering you reliability.

### Quick disassembling to service the drain – standard tools required.



1. Remove the electronic module



2. Remove the valve shaft



3. Direct access to the valve orifice

