



THE NETHERLANDS  
(N E D E R L A N D)



COMMUNICATION

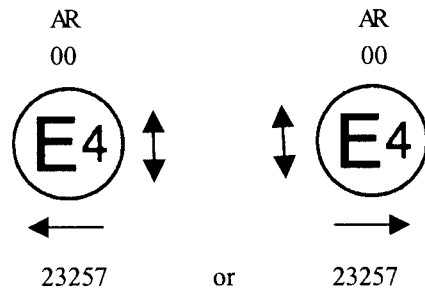
Concerning: APPROVAL GRANTED  
~~APPROVAL EXTENDED~~  
~~APPROVAL REFUSED~~  
~~APPROVAL WITHDRAWN~~  
~~PRODUCTION DEFINITELY DISCONTINUED~~

of a type of reversing lamp pursuant to Regulation No. 23

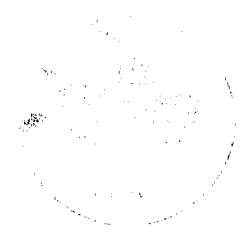
Approval No.: E4 - 23R - 00 23257

Extension No.: --

Approval mark:



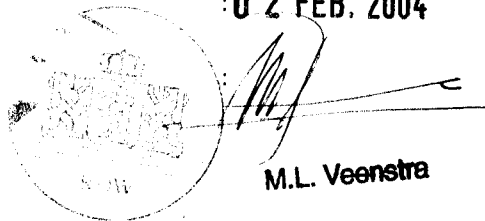
- 1 Trade name or mark of the device : HELLA
- 2 Manufacturer's name for the type of device : Agroluna ZR 343130
- 3 Manufacturer's name and address : Hella Lighting Finland Oy  
Inkereentie 566  
24280 Salo  
Finland
- 4 If applicable, name and address of the manufacturer's representative : --
- 5 Submitted for approval on : 16 December 2003
- 6 Technical service responsible for conducting approval tests : N.V. KEMA
- 7 Date of report issued by that service : 22 January 2004



Approval No.: E4 – 23R – 00 23257

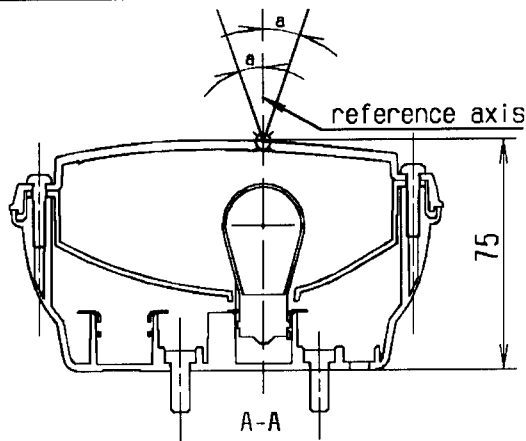
Extension No.: --

- 8 Number of report issued by that service : 04-014
- 9 Concise description:  
Number and category of filament lamp(s) : 1x P21W  
Geometrical conditions of installation and relating variations; if any : --
- 10 Position of the approval mark : See annexed drawing
- 11 Comments:  
This device shall be installed on a vehicle only as part of a pair of devices : yes/~~no~~
- 12 Reason(s) for extension (if applicable) : --
- 13 Approval granted/~~refused/extended/withdrawn~~ :
- 14 Place : Zoetermeer
- 15 Date : 02 FEB. 2004
- 16 Signature

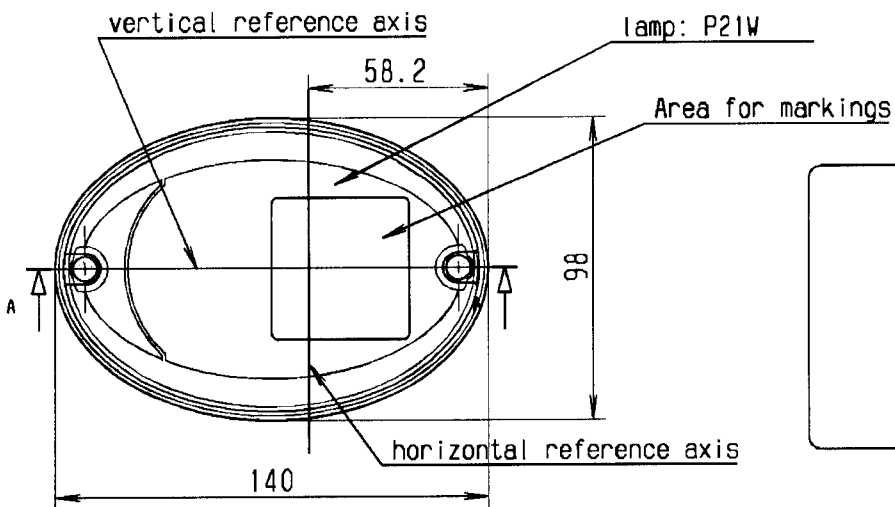


M.L. Veenstra

- 17 The list of documents deposited with the Administrative Service which has granted approval is annexed to this communication and may be obtained on request:
- 2 Drawings No. 343239-00 and No. 343239-01 dated 12.12.2003 (annexed).
  - 1 Table with outlines of the illuminating surface No. 343246-00 dated 18.12.2003 (annexed).
  - Test report as mentioned in item 8

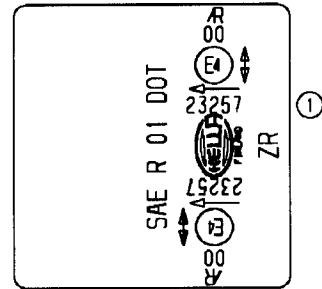


permitted turning angle  $a=19^\circ$



reversing lamp  
colour: clear  
lamp: P21W


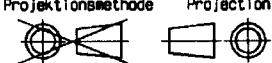
lens: PC



x	1	Added approvalnumber				22.12.2003	TBI	
2D	3D	A-Index Rev. Ind	war was	Blatt Page	Aenderung Rev. Description	A-Nr. Rev. No.	Datum Date	K-Gr./Userid Depart./Userid

Oberfläche 1 Surface 1	.	.	.
Verkstoff 1 Material 1	.	.	.
Allgemeintoleranz General Tolerance	.	Gewicht Weight	Mat.-Nr. Mat. -No.

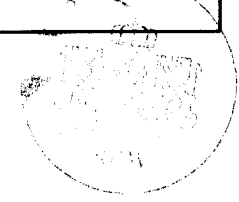
Diese Unterlage ist vertraulich zu behandeln. Ihre Weitergabe sowie die Verwertung und Mitteilung ihres Inhalts ist nur mit unserer ausdrücklichen Genehmigung gestattet. Wir behalten uns alle Rechte vor, insbesondere das Recht zur Schutzrechtsanmeldung. This document is confidential. Its contents are not to be exploited, passed on or disclosed to third parties without our express permission. All rights reserved.

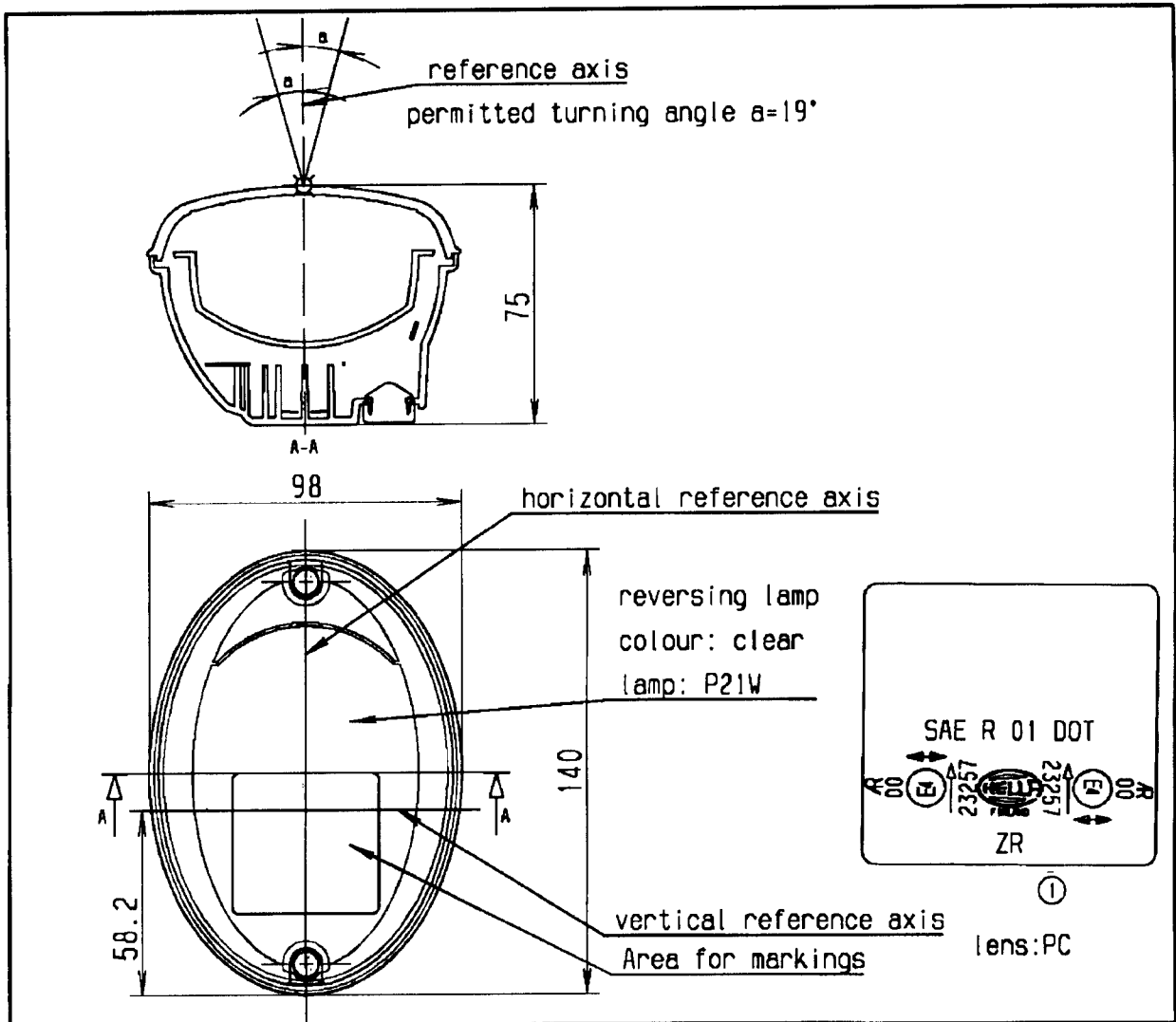
Masstab Scale	Datum Date	Userid	 <b>Hella Lighting Finland</b>	
Projektionsmethode Projection	Erstellt/Entw. Drawn	OSI		
	Freigegeben Checked	121203		TBI
	Konstr.-Gr. Department	HLF		

Benennung	Artikel-Nr.	Part No.
-----------	-------------	----------

Title	Zeichnungs-Nr.	Drawing No.	Format Size
343130 Agroluna ZR horizontal mounting	343239-00		A4

Ersatz fuer Replaces	Blatt: Page:	Blattzahl: Of:
CATIA:	Dok.-Status:	





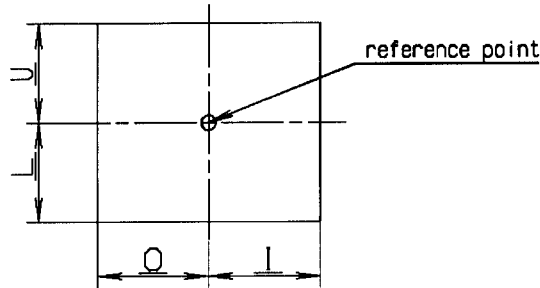
x		1		Added approvalnumber		22.12.2003		TBI	
2D	3D	A-Index Rev. Ind	war was	Blatt Page	Aenderung Rev. Description	A-Nr. Rev. No.	Datum Date	K-Gr./Userid Depart./Userid	
Oberfläche 1 Surface 1									
Verkstoff 1 Material 1									
Allgemeintoleranz General Tolerance						Gewicht Weight		Mat.-Nr. Mat. -No.	
Diese Unterlage ist vertraulich zu behandeln. Ihre Weitergabe sowie die Verwertung und Mitteilung ihres Inhalts ist nur mit unserer ausdrücklichen Genehmigung gestattet. Wir behalten uns alle Rechte vor, insbesondere das Recht zur Schutzrechtsanmeldung.					This document is confidential. It's contents are not to be exploited, passed on or disclosed to third parties without our express permission. All rights reserved.				
Mastab Scale		Erstellt/Entw. Drawn		Datum Date		Userid			
Projektionsmethode Projection		Freigegeben Checked		101203		OSI			
		Konstr.-Gr. Department		121203		TBI			
Benennung				HLF				Artikel-Nr. Part No.	
Title		343130 Agroluna ZR vertical mounting		Zeichnungs-Nr. Drawing No.		343239-01		Format Size A4	
Ersatz fuer Replaces		Blatt: Page:		Blattzahl: Of:					
CATIA:						Dok. -Status:			



Determining the lower, upper and lateral limits of the illuminating surface of the lamp device.

According to European DIRECTIVE 91/663/EEC, Annex I "Installation of lighting and light-signalling devices", clause 1.9.2.

According to ECE regulation 48/01 "Installation of lighting and light-signalling devices", clause 2.9.2.



Function	upper limit (U) mm	lower limit (L) mm	outer limit (O) mm	inner limit (I) mm
Reversing lamp	32	32	50	33

Horizontal mounting as in drawing 343239-00


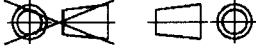
Function	upper limit (U) mm	lower limit (L) mm	outer limit (O) mm	inner limit (I) mm
Reversing lamp	50	33	32	32

Vertical mounting as in drawing 343239-01

20	30	A-Index Rev. Ind	wer was	Blatt Page	Aenderung Rev. Description	A-Nr. Rev. No.	Datum Date	K-Gr./Userid Depart./Userid

Diese Unterlage ist vertraulich zu behandeln. Ihre Weitergabe sowie die Verwertung und Mitteilung ihres Inhalts ist nur mit unserer ausdruecklichen Genehmigung gestattet. Wir behalten uns alle Rechte vor, insbesondere das Recht zur Schutzrechtsanmeldung.

This document is confidential. It's contents are not to be exploited, passed on or disclosed to third parties without our express permission. All rights reserved.

Masstab Scale	Erstellt/Entw. Drawn	Datum Date	Userid	 <b>Hella Lighting Finland</b>
Projektionsmethode Projection	Freigegeben Checked	18.12.2003	TBI	
	Konstr.-Gr. Department			
Benennung Agroluna 343130 ZR	Artikel-Nr. Part No.			
Title ILLUMINATING SURFACE	Zeichnungs-Nr. Drawing No.	343246-00		Format Size A4
Ersatz fuer Replaces	Blatt: Page	Blattzahl: Of:		
CATIA:	Dok.-Status:			

