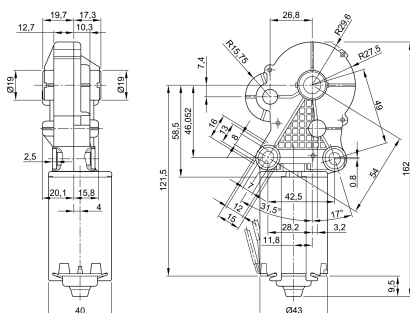


Design Data	
Commutation	brushed
Direction of rotation	bidirectional
Bearing Type	A:Sleeve - B:Sleeve

Performance data		
Nominal Voltage [V]	U_N	24
Nominal Torque [Nm]	M_N	4,00
Nominal Speed [min^{-1}]	n_N	35,294
Nominal Power [W]	P_N	14,8
Nominal current [A]	I_N	3,5
Nominal force [kN]	F_N	0,00
Duty cycle	s3	

0320 AR



Sensor data	
Pulses	0
Output channels	0

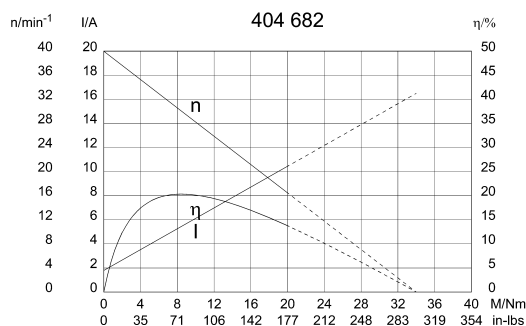
Other data	
Gear ratio	210/1
Gear wheel material	plastic
Suppression components	7,5 μ H, 1nF
Enclosure class	IP 40
Weight [kg]	0,440

Remarks:

Motor picture

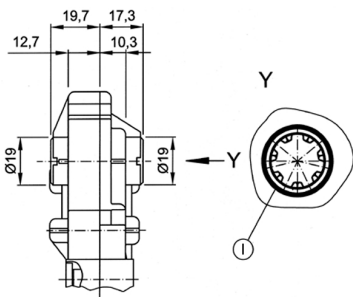


Characteristic Curves



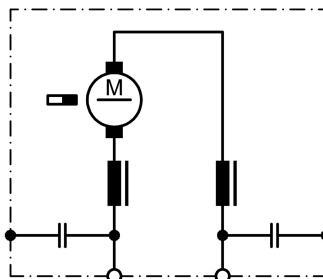
Output shaft drawing (W), Wiring diagrams (S) and Connector layout (K)

W 224

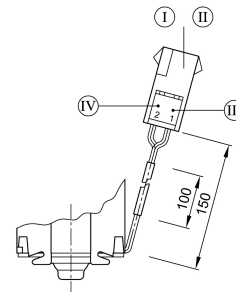


I through Profile KRC 316928 AEIZ 01

S 30



K 206



tap housing 365057-3, timer contacts 928781-5

mating with receptacle housing 365058-3,
timer contacts 927768-1
1 black motor, 2 blue motor