

Installation Instructions

HEPA-14 Filtration System HFT 300 / HFT 600



English

This manual applies to:

HFT 300 p/n 6245612

HFT 600 p/n 6245613

Table of Contents

1	About this document	3
1.1	Purpose of this document.....	3
1.2	Using this document.....	3
1.3	Use of symbols and highlighting	3
1.4	Necessary Tools	3
1.5	Warranty and liability.....	3
2	Safety	3
2.1	Intended use	3
2.2	Qualifications of installation personnel.....	3
2.3	Safety information on installation	3
3	Scope of Delivery	4
4	Installation	4
4.1	Minimum Clearance distance	4
4.2	Fixing Points	4
5	Maintenance	4
5.1	Spare Part Kit – 6245615 (*)	4
5.2	Minimum clearance distance	5
5.3	Filter removal and handling	5
6	Control Panel	6
7	Electrical schematics	7
8	Warranty Conditions	9

1 About this document

1.1 Purpose of this document

The Installation Instructions (II) are an integral part of the product and contain all the information required to ensure correct and safe installation.

The Important Safety Instructions (ISI) are an integral part of the product and contain all the information required to ensure correct and safe installation and operation.

1.2 Using this document

- ▶ Read these Installation Instructions (II) carefully before installing the unit.

1.3 Use of symbols and highlighting



DANGER

This signal word denotes a hazard with a high degree of risk which, if not avoided, will lead to death or serious injury.



NOTE

This signal word denotes a Special Technical Feature or (if not observed) potential damage to the product.

- ✓ Requirements for the following necessary action
- ▶ Necessary action



CAUTION

This signal word denotes a hazard with a low degree of risk which, if not avoided, will lead to minor or moderate injury.












WARNING




This signal word denotes a hazard with a moderate degree of risk which, if not avoided, may lead to minor or moderate injury.



Refers to separate documents which are enclosed or can be requested from Webasto.

1.4 Necessary Tools

Tool	Description
	Lubricate all fittings and O-rings before connecting
	Equalize torsion couple by using 2 wrenches for tightening and loosening fittings
	Knife
	Heated cutting device
	Mechanical cutting device
	Soldering iron
	File
	Drill
	Silicon glue gun

Tool	Description
	Scissors
	Safety glasses
	Safety gloves
Silicon glue	Sikaflex ® - 211 EU

1.5 Warranty and liability

Webasto shall not assume liability for defects or damage that are the result of the installation and operating instructions being disregarded.

This liability exclusion particularly applies to:

- Installation by untrained personnel
- Improper use
- Repairs not carried out by a Webasto service workshop
- Use of non-genuine parts
- Conversion of the unit without permission from Webasto
- Mechanical damage to the equipment
- Failure to comply with inspection and maintenance instructions

2 Safety

2.1 Intended use

The Unit is approved for air filtering the passenger compartments of:

- Ambulances
- Buses
- Mass Transit

2.2 Qualifications of installation personnel

The installation personnel must have the following qualifications:

- Successful completion of Webasto training
- Corresponding qualification for working on technical systems
- Certified to work on air conditioning systems

2.3 Safety information on installation



DANGER

Danger posed by live parts

- ▶ Prior to installation, disconnect the vehicle from the voltage supply.
- ▶ Make sure the electrical system is earthed correctly.
- ▶ Always comply with legal requirements.
- ▶ Observe data on type label.

WARNING

Danger of lacerations on sharp edges

- ▶ Fit protectors on sharp edges.

3 Scope of Delivery

The scope of delivery of the product is the HEPA 300 or 600 and their connector



Air filter HFT-300




Air filter HFT-600



Connector

4 Installation

The can be mounted horizontally or vertically.
The can only be mounted horizontally.

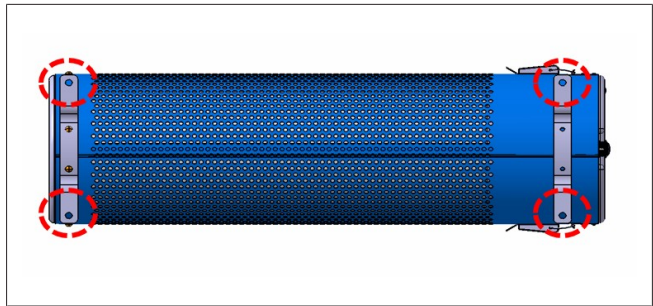
ATTENTION
 Each power supply line hast to be protected by an 10 A fuse. The power supply should not have any current limitations.

4.1 Minimum Clearance distance

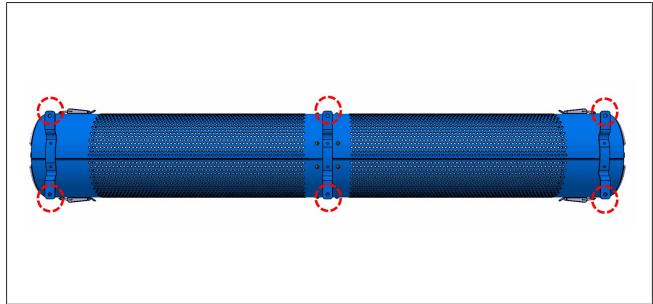
The minimum clearance distance for optimal performance should be 200 mm at the **rear end** of the and 200 mm at the **front and rear end** of the .

4.2 Fixing Points

The fixing points of the are at the front and rear end. You need 4x M6 7Nm screws to mount the .

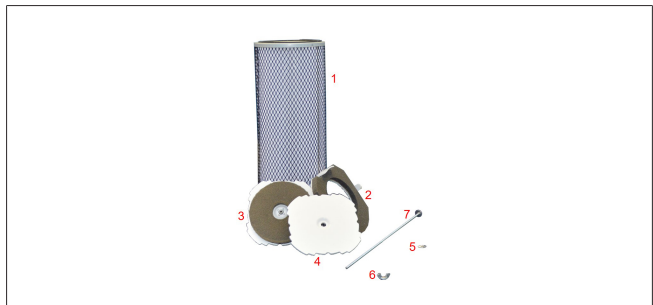


The fixing points of the are at the front, in the middle and rear end. You need 6x M6 7Nm screws to mount the .



5 Maintenance

5.1 Spare Part Kit – 6245615 (*)



Spare Part Kit – main components		
ID	Part description	Qty
1	Air Filter 300 HEPA14	1
2	Flange Conveyor Assembly	1
	Flange	1
	Seal	1
3	Air Filter Base Flange Assembly	1
	Flange Conveyor Bottom	1
	Seal	1
	Threaded Insert	1
4	Bottom Conveyor Flange	1
5	Washer 6,6x18x2	2
6	Wing Nut M6	1
7	Threaded Rod M6x545	1
8	Label	1

(*) One piece needed for HFT-300. Two pieces needed for HFT-600

5.2 Minimum clearance distance

The minimum clearance distance for filter replacement should be 500 mm.

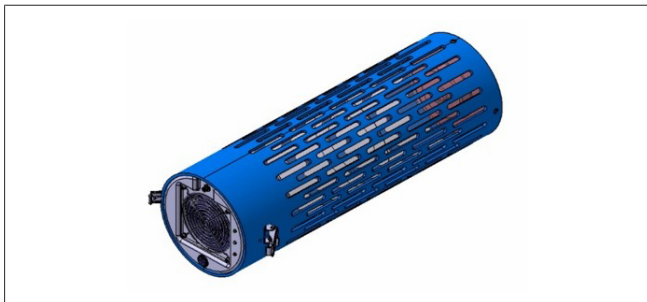


NOTE

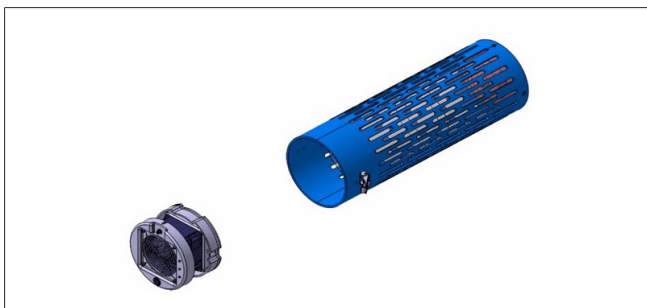
Remove the unit for filter replacement from the vehicle, if there is not enough space.

5.3 Filter removal and handling

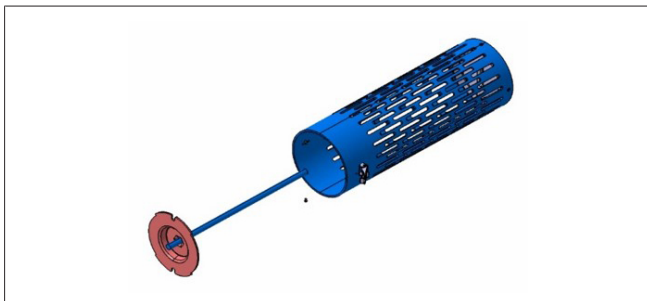
1. Open the two side hooks



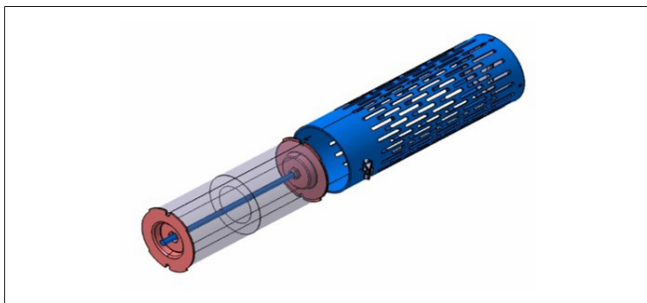
2. Remove the fan



3. Insert the threaded plug



4. Extract the filter



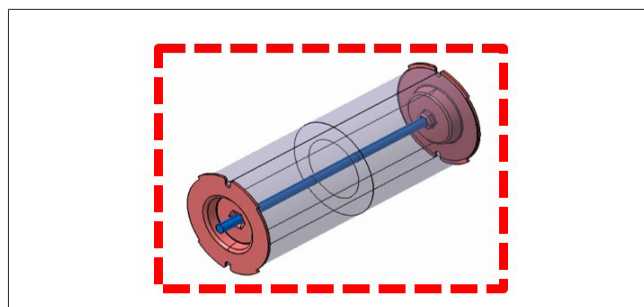
5. Remove the contaminated filter



NOTE

Dispose of this product according to the applicable rules and regulations.

Information about proper disposal is provided by the municipal authorities, the responsible household waste recycling centre and/or your local distribution partner.



6. New filter installation



7. Label application



ATTENTION

After installation you must apply the label provided. Please make sure you fill out the correct installation date.



CAUTION

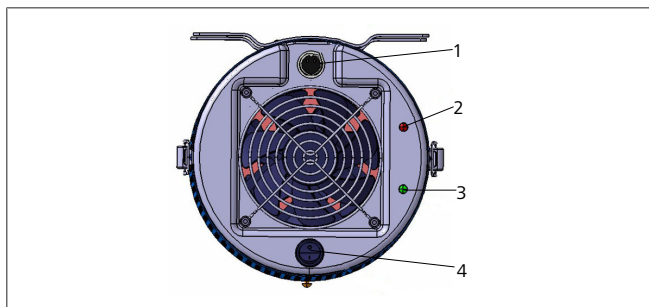
A life time of 6 months can be expected in environments with a high concentration of fine particulate matter (ex. PM2). A life time of 12 months can be expected in normal operating conditions with pre-filtered air.

At the end of lifetime or when the red LED lights up, the old label **MUST** be replaced with the new label provided in the spare part kits and the new installation date must be filled in.



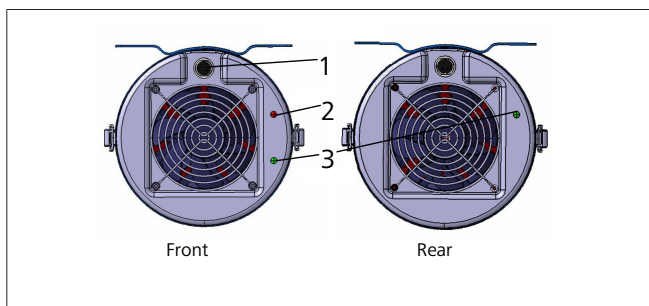
6 Control Panel

Air filter HFT-300



1	2 Ways Connector	3	Green LED Power
2	Red LED: filter replacement needed (because of clogging)	4	Rocker Switch

Air filter HFT-300



1	2 Ways Connector	3	Green LED Power
2	Red LED: filter replacement needed (because of clogging)		

7 Electrical schematics

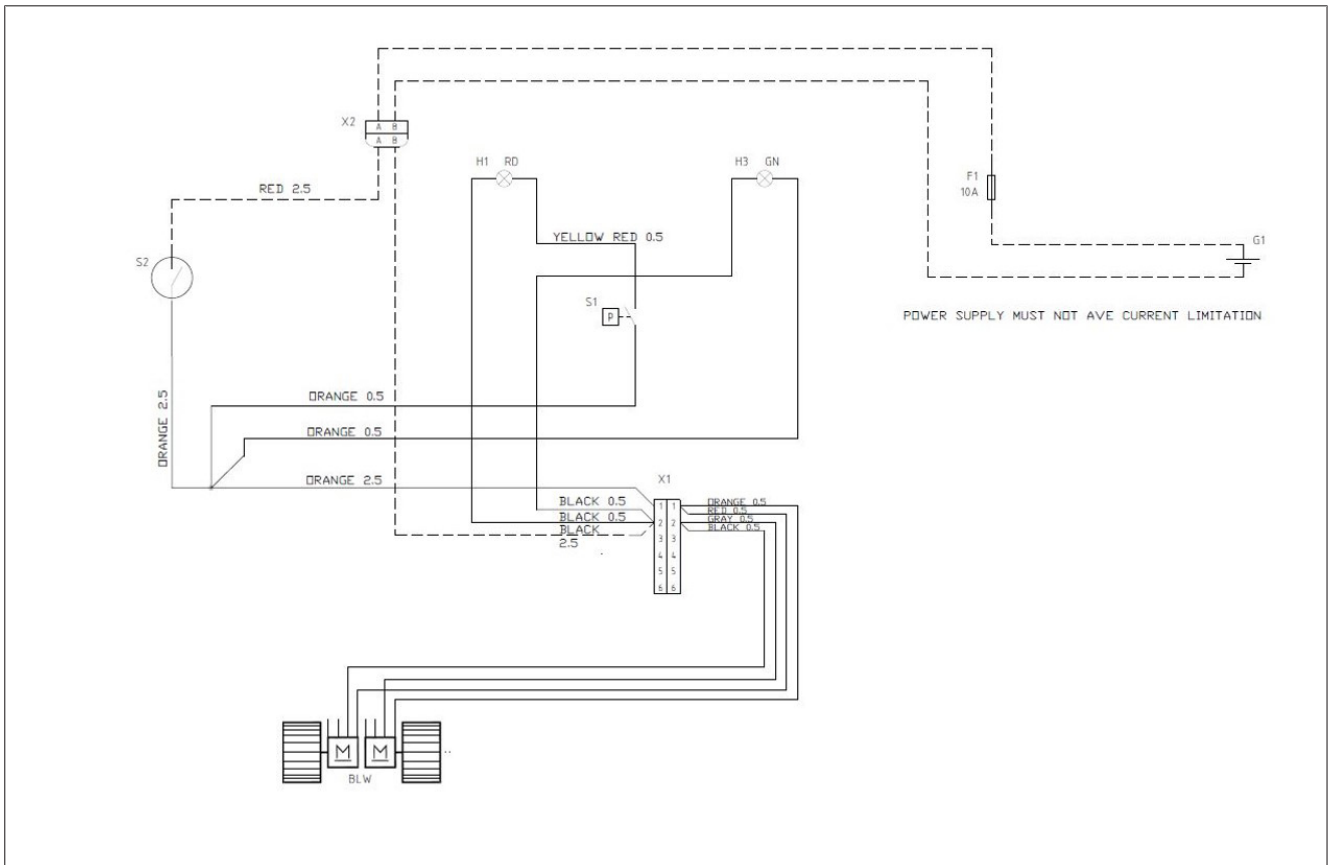


Fig. 1 Electrical schematics Air filter HFT-300

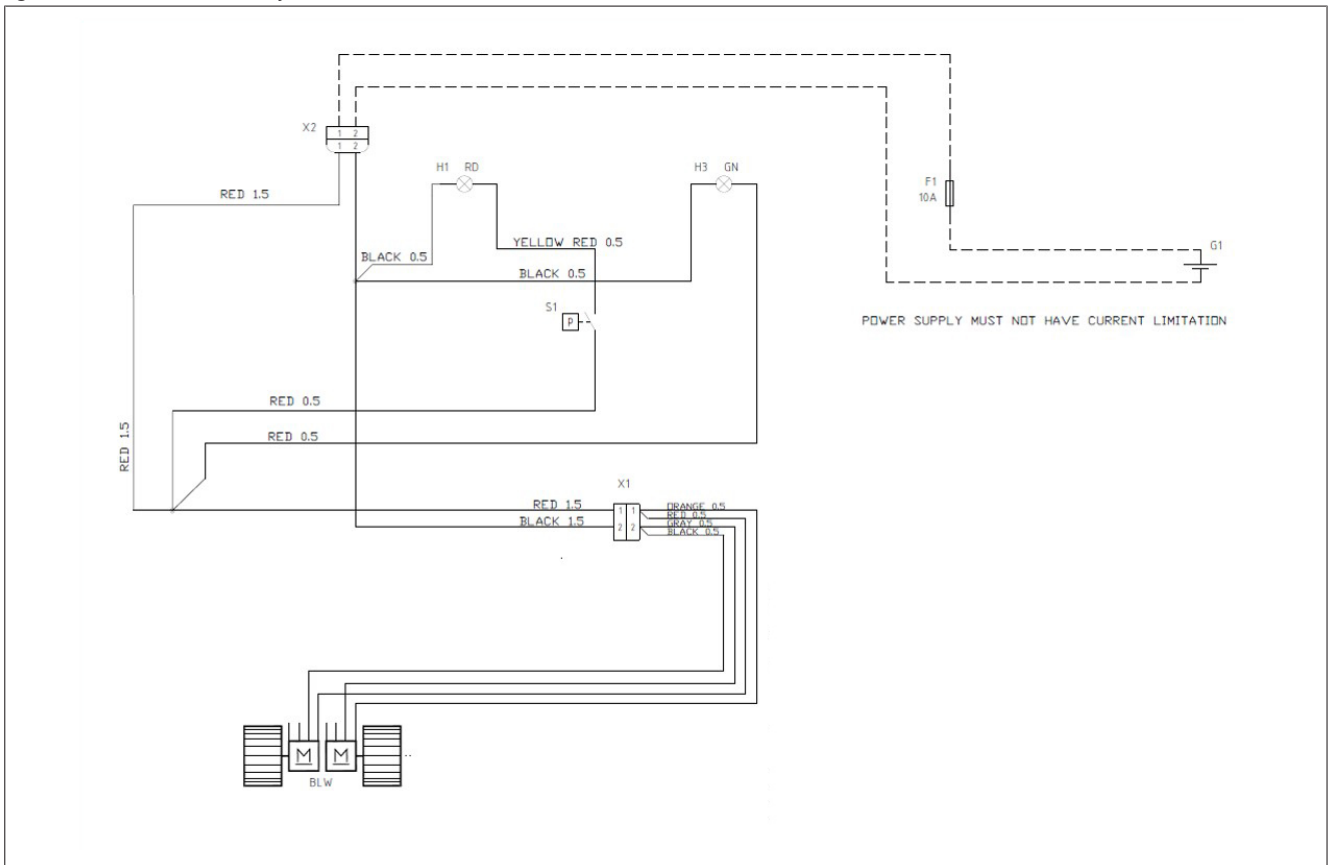


Fig. 2 Electrical schematics Air filter HFT-600 – front side

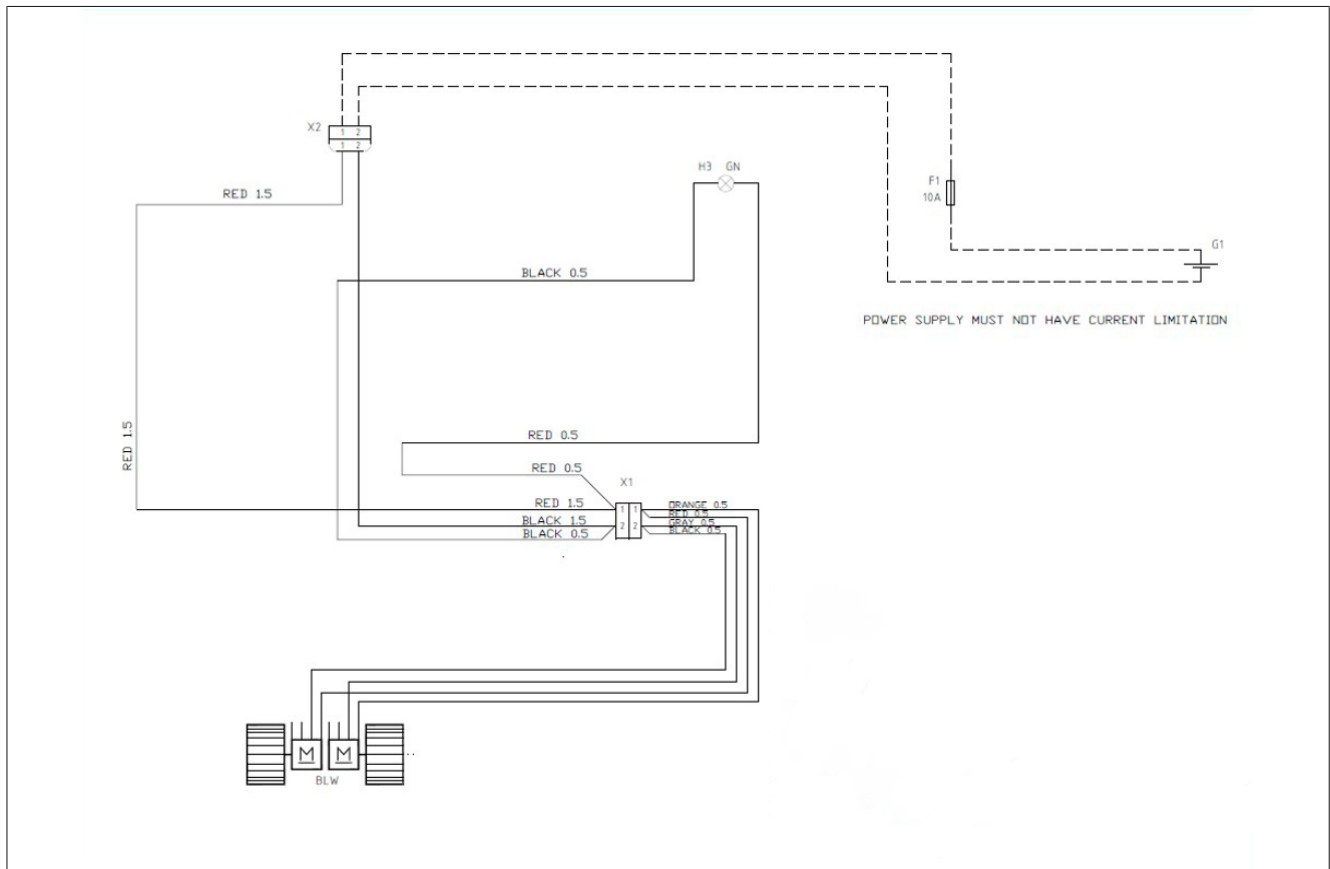


Fig. 3 Electrical Schematics Air filter HFT-600 – rear side – without pressure switch

8 Warranty Conditions

English

Important document!

Take it with you in the vehicle at all times and present it for maintenance and repair work.

We recommend that you keep this book on hand and, if you sell the vehicle, hand it over to the new owner.

Vehicle delivery

I hereby confirm that the air conditioned vehicle

Registration number Guarantee online

Vehicle model/type:

Chassis number:

Motor:

Mileage (km):

 km

with the listed equipment

HEPA filter part number:

Serial number:

have been received in perfect condition.

Place/Date:

Signature of vehicle owner:

Delivering dealer:

Delivery business

Place/Date:

Stamp:

Webasto **products** are manufactured using the latest technology and are subject to constant inspection to ensure the best possible product quality.

MANUFACTURER WARRANTY

Webasto Thermo & Comfort Italy S.r.l., also on behalf of its subsidiaries ("Webasto") warrants the good operation of its products only if installed by an authorized Webasto service center ("Authorized Webasto Service Center") in compliance with the installation manual.

Services covered by this warranty have to be performed exclusively at an Authorized Webasto Service Center.

In cases where the warranty applies, as the product is defective due to a defect of the Webasto product, the Authorized Webasto Service Center will make the necessary repairs and / or replacements.

This warranty is, as far as permitted by law, excluded with regard to direct or indirect damages or property damages of any nature whatsoever resulting from the designated use of the **product** and/or the vehicle or interruption of such use.

Therefore this warranty is excluded, to the maximum extent permitted by law, with regard to damages due to an incorrect **product** installation or damages due to construction/design errors that cannot be directly attributed to Webasto.

Webasto reserves the right to make changes or improvements to its products without being required to apply the same modifications to previously manufactured products.

FINAL CUSTOMER SERVICE WARRANTY

1. Webasto warrants that its product will function properly if used in accordance with the requirements provided by Webasto.
2. The warranty is valid for 24 months from the date of installation of the Webasto product or vehicle registration date, whichever comes later.
3. Service requests under the warranty can only be made to an Authorized Webasto Service Center, presenting the **product purchasing invoice** or the documentation of the vehicle registration.
4. This warranty does not cover:
 - Malfunctions not directly and exclusively resulting from the Webasto product.
 - Repairs, maintenance or other service actions conducted by a service center which is no Authorized Webasto Service Center.
 - Non-compliance with the instructions and scheduled maintenance intervals determined by Webasto.

- Consequences of modifications, repairs or tuning not expressly authorized by Webasto.
 - Periodic controls as per maintenance schedule.
 - Repairs or replacement of parts due to normal wear.
 - Installation of any accessories and/or air conditioning system parts not approved by Webasto; use of such parts can damage the **product** itself and, at times, even parts of the vehicle.
5. The warranty covers labor and defective materials. The warranty is, to the maximum extent permitted by law, excluded with regard to damages caused to the goods transported in the vehicle which is equipped with the Webasto product. Operations performed under the warranty do not in any way extend the warranty beyond of 24 months, as determined under clause 2.
 6. This warranty does not affect the Customer's inalienable rights under national law applicable in the country where the product was sold, nor does it affect the Customer's rights towards the Seller pursuant to the contact between them. In the absence of mandatory regulations, this warranty determines, for the Customer, the provisions solely applicable towards Webasto. In all cases, the conditions of this warranty remain valid to the extent they are not contradictory to mandatory regulations.
 7. To register the product, access the dealer portal at <https://dealer.webasto.com>. Enter the menu: Technical information - Online Warranty - New registration. Register and write the number on the "Vehicle delivery" page of this manual



When you eventually decommission the system, please dispose of the individual components properly at a recycling centre



These are the original instructions. The English language is binding.
You can request your language if it is missing. The telephone number of each country can be found in the Webasto service centre leaflet or the website of the respective Webasto representative of your country.

Webasto Thermo & Comfort SE
Postfach 1410
82199 Gilching
Germany

Company address:
Friedrichshafener Str. 9
82205 Gilching
Germany

